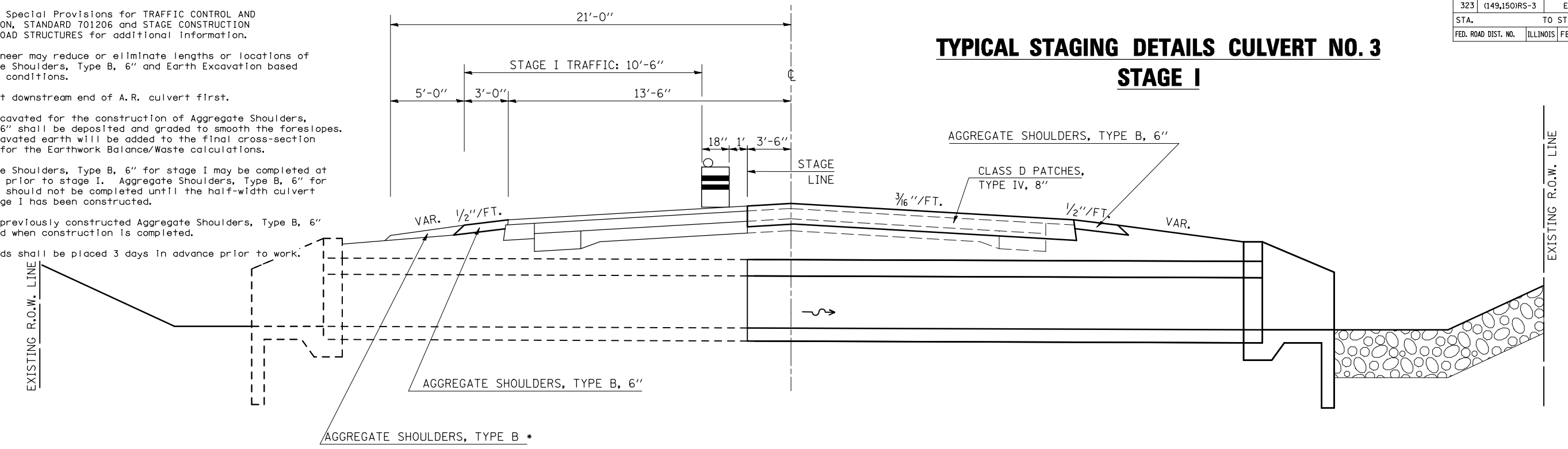


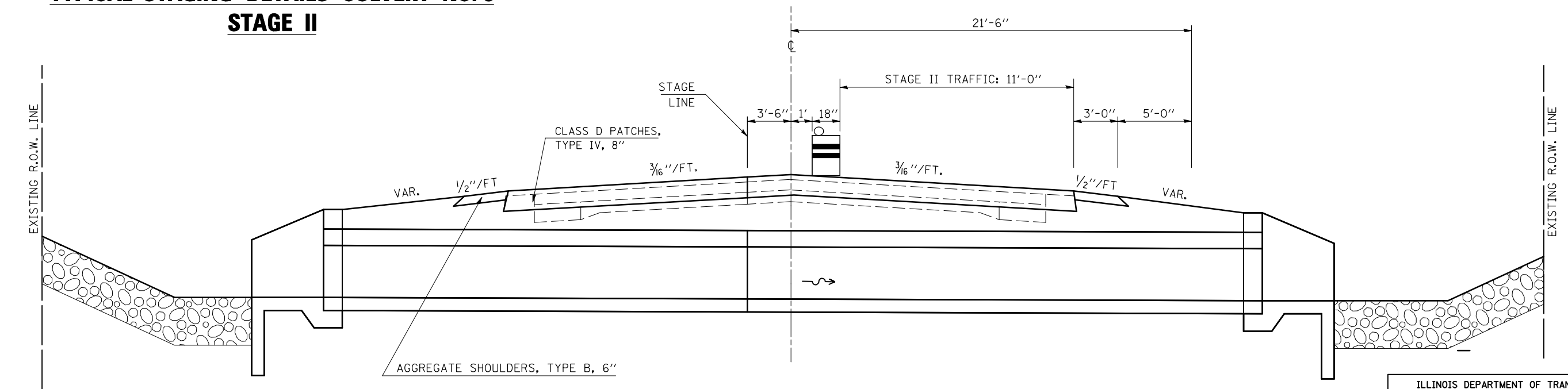
F.A.P. RTE.	SECTION	COUNTY	TOTAL SHEETS	SHEET NO.
323	(149,150)RS-3	EDGAR	83	52
STA. 1833+78.50		TO STA. 1833+78.50		
FED. ROAD DIST. NO.		ILLINOIS	FED. AID PROJECT	

- NOTES**
1. Refer to Special Provisions for TRAFFIC CONTROL AND PROTECTION, STANDARD 701206 and STAGE CONSTRUCTION ACROSS ROAD STRUCTURES for additional information.
 2. The Engineer may reduce or eliminate lengths or locations of Aggregate Shoulders, Type B, 6" and Earth Excavation based on field conditions.
 3. Construct downstream end of A.R. culvert first.
 4. Earth excavated for the construction of Aggregate Shoulders, Type B, 6" shall be deposited and graded to smooth the foreslopes. This excavated earth will be added to the final cross-section volumes for the Earthwork Balance/Waste calculations.
 5. Aggregate Shoulders, Type B, 6" for stage I may be completed at any time prior to stage I. Aggregate Shoulders, Type B, 6" for stage II should not be completed until the half-width culvert from stage I has been constructed.
 6. Replace previously constructed Aggregate Shoulders, Type B, 6" as needed when construction is completed.
 7. CMS boards shall be placed 3 days in advance prior to work.

**TYPICAL STAGING DETAILS CULVERT NO. 3
STAGE I**



**TYPICAL STAGING DETAILS CULVERT NO. 3
STAGE II**



A. R. CULVERT LOCATION	TRAFFIC CONTROL STANDARD	ESTIMATED TIME	CHANGEABLE MESSAGE SIGNS
STA. 1833+78.50	701206	2 Days - 48 hrs. - Non-Stop (2) - 12 hr. Day Shifts (2) - 12 hr. Night Shifts	2 EACH AT 5.0 CAL DAY = 10.0 CAL DAY

DRAWING NOT TO SCALE

SHEET 4 OF 6

ILLINOIS DEPARTMENT OF TRANSPORTATION
**TRAFFIC CONTROL &
 STAGING DETAILS STA. 1833+78.50**
 FAP ROUTE 323 (US 36)
 SECTION (149,150)RS-3
 EDGAR COUNTY

SCALE: NOT TO SCALE
 DATE: 06/11/2008

DRAWN BY: JMS
 CHECKED BY:

PLOT DATE = 4/5/2009
 FILE NAME = c:\p\work\4\1001\1001\SHERER\JM\dms87384\70113\Culvert-02.dwg
 PLOT SCALE = 4.23629 / IN.
 USER NAME = sherer_jm