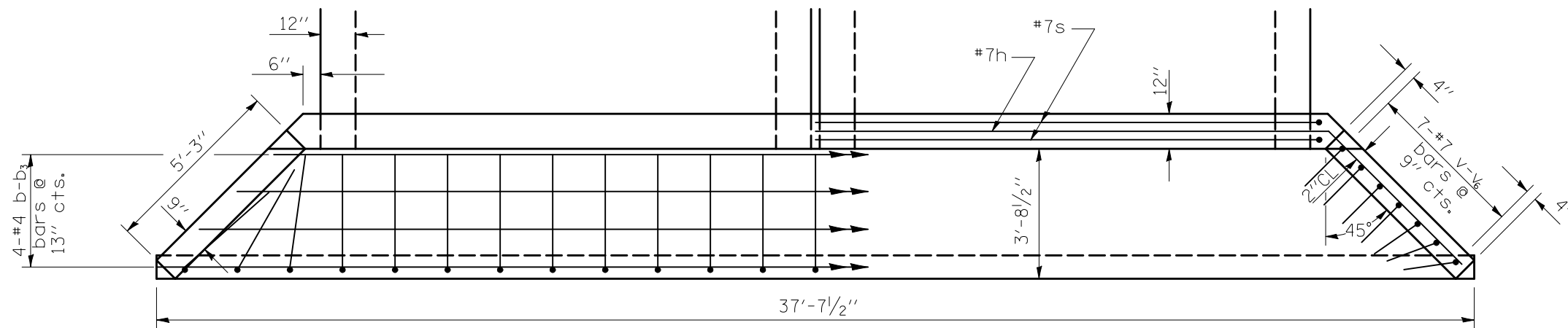
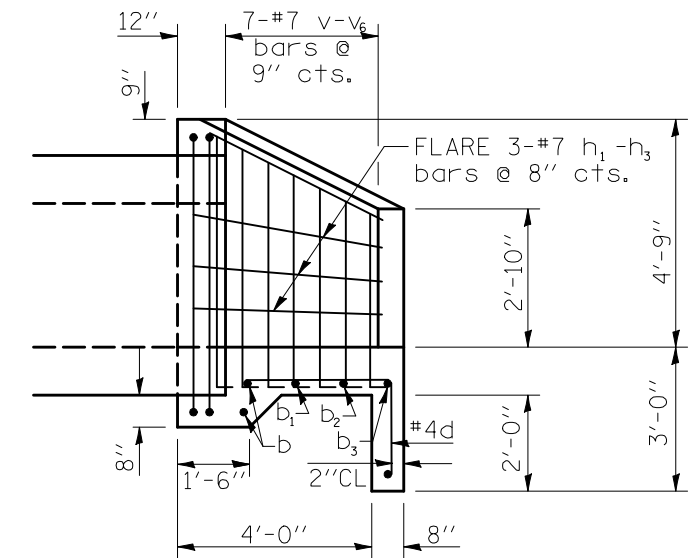
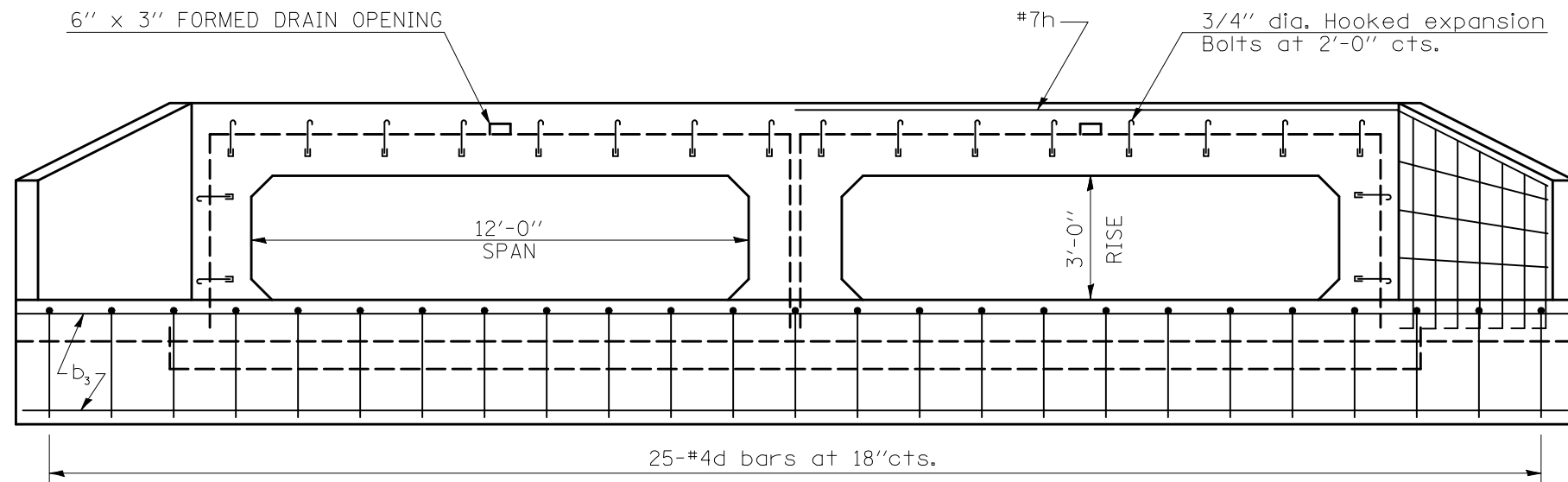


S.N. 057-2045 AT STA. 1962+55.00



S.N. 057-2045			
BILL OF MATERIALS			
BAR	NO.	SIZE	BAR LENGTH
b	2	4	31'-0"
b ₁	1	4	33'-0"
b ₂	1	4	35'-2"
b ₃	2	4	37'-7"
d	25	4	6'-1"
h	1	7	41'-5"
h ₁	2	7	5'-9"
h ₂	2	7	5'-9"
h ₃	2	7	5'-10"
s	2	7	70'-4"
v	2	7	6'-10"
v ₁	2	7	6'-6"
v ₂	2	7	6'-2"
v ₃	2	7	6'-0"
v ₄	2	7	5'-8"
v ₅	2	7	5'-5"
v ₆	2	7	5'-2"

ESTIMATED QUANTITIES - ONE SIDE	
REINFORCEMENT BARS (LBS)	853.0
CLASS SI CONCRETE (CU YDS)	9.7
EXPANSION BOLT 3/4" dia. (EACH)	20.0
BOX CULVERT END SECTIONS = 1 EACH	

NOTES:
 All bars should be rounded and shall conform to the requirements of Art. 1006.10 of Standard Specifications.
 Class SI Concrete shall be used throughout.
 The Precast Box Culvert Sections shall conform to the requirements of AASHTO M259.
 All dimensions are in FEET (')-INCHES (") unless otherwise noted.
 Concrete and Rebar quantities and lengths calculated for the cast-in-place End Sections will vary based on the precast box culverts supplied.
 End Sections will be paid for at the contract unit price each for BOX CULVERT END SECTION NO. 2, as outlined in Art. 540.08, which prices shall include all concrete, rebar, and all other items necessary to complete the proposed work.
 Drain holes shall be provided in accordance with Art. 503.12.
 Drawings not to scale.

