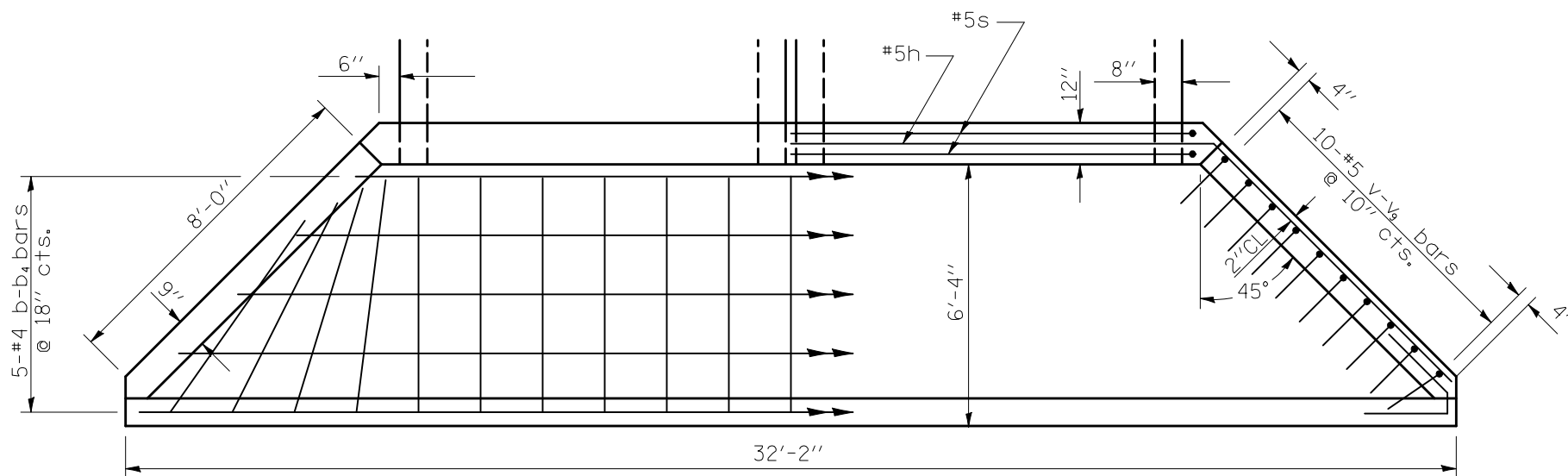
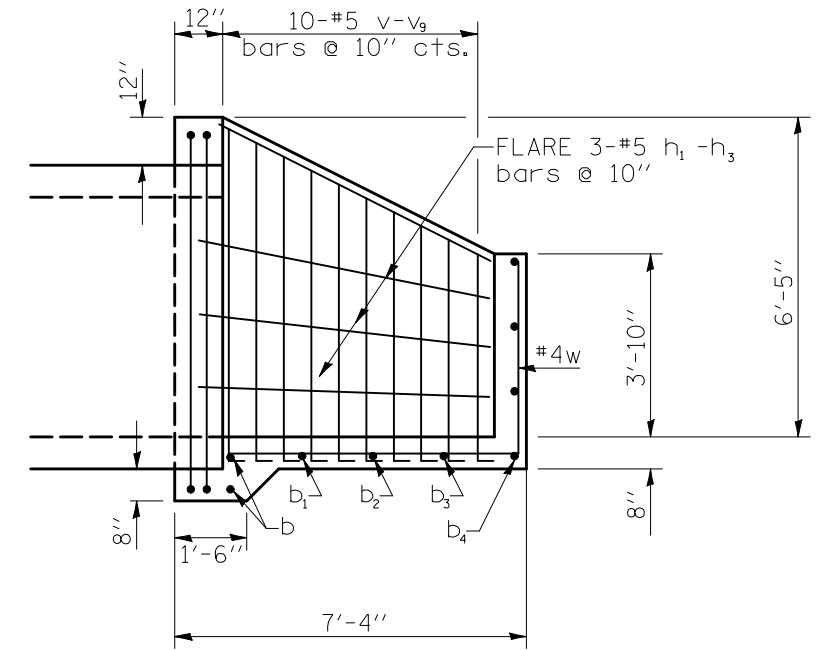
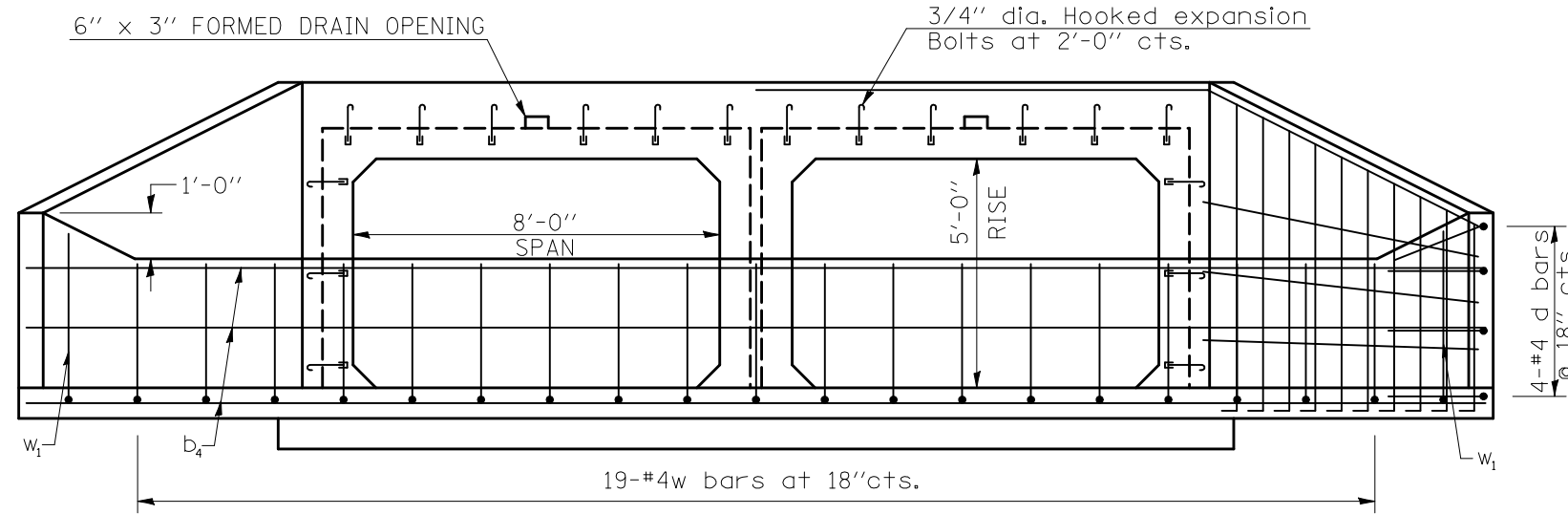


S.N. 057-8212 AT STA. 1981+21.00



S.N. 057-8212 (DROP STR.)
BILL OF MATERIALS

BAR	NO.	SIZE	BAR LENGTH
b	2	4	21'-1"
b ₁	1	4	23'-11"
b ₂	1	4	26'-9"
b ₃	1	4	29'-7"
b ₄	4	4	31'-6"
d	8	4	4'-6"
h	1	5	37'-3"
h ₁	2	5	7'-12"
h ₂	2	5	7'-11"
h ₃	2	5	7'-10"
s	2	5	55'-2"
v	2	5	8'-5"
v ₁	2	5	8'-1"
v ₂	2	5	7'-10"
v ₃	2	5	7'-6"
v ₄	2	4	7'-2"
v ₅	2	5	6'-11"
v ₆	2	5	6'-7"
v ₇	2	5	6'-4"
v ₈	2	5	6'-0"
v ₉	2	5	5'-10"
w	19	4	9'-2"
w ₁	2	4	10'-2"

ESTIMATED QUANTITIES - ONE SIDE	
REINFORCEMENT BARS (LBS)	671.0
CLASS SI CONCRETE (CU YDS)	11.7
EXPANSION BOLT 3/4" dia. (EACH)	18.0
BOX CULVERT DROP STRUCTURE = 1 EACH	

NOTES:

All bars should be rounded and shall conform to the requirements of Art. 1006.10 of Standard Specifications.

Class SI Concrete shall be used throughout.

The Precast Box Culvert Sections shall conform to the requirements of AASHTO M259.

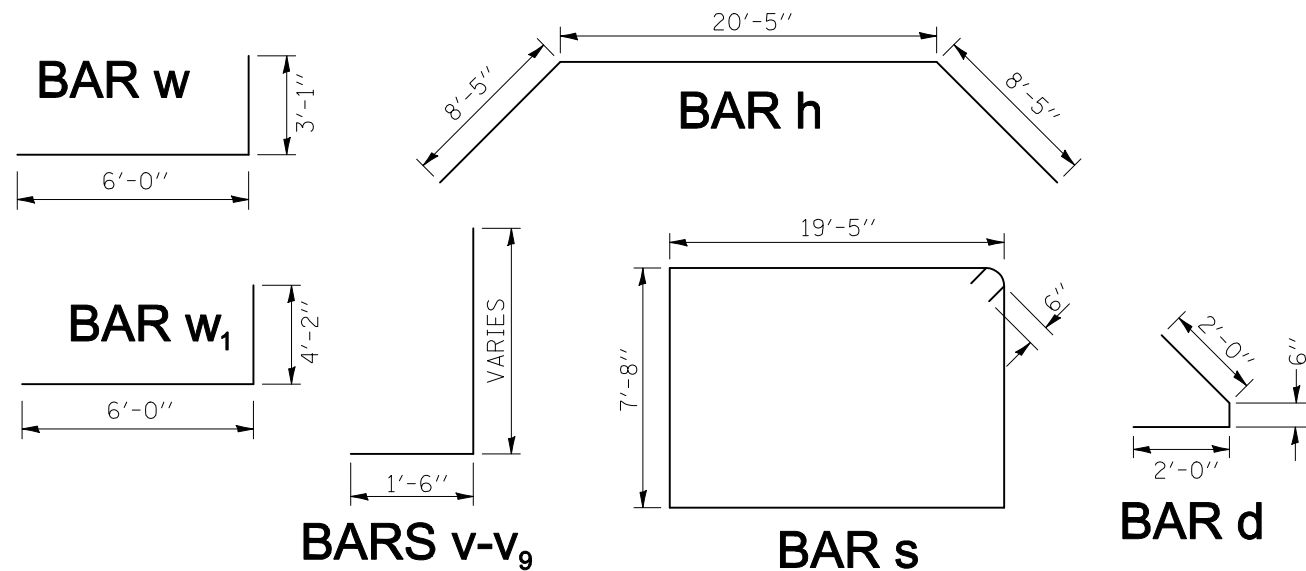
All dimensions are in FEET (')-INCHES (") unless otherwise noted.

Concrete and Rebar quantities and lengths calculated for the cast-in-place End Sections will vary based on the precast box culverts supplied.

End Sections will be paid for at the contract unit price each for DROP STRUCTURE NUMBER 1, as outlined in Art. 540.08, which prices shall include all concrete, rebar, and all other items necessary to complete the proposed work.

Drain holes shall be provided in accordance with Art. 503.12.

Drawings not to scale.



FILE NAME =	USER NAME = carrollrt	DESIGNED -	REVISED -
ca\pwwork\pwwid\DOT\CARROLLRT\d0104692\70509.Wingwalls.dgn		DRAWN -	REVISED -
PLOT SCALE = 4.0000' / IN.		CHECKED -	REVISED -
PLOT DATE = 4/3/2009		DATE -	REVISED -

STATE OF ILLINOIS
DEPARTMENT OF TRANSPORTATION

DROP STRUCTURE DETAIL
S.N. 057-8212

SCALE: SHEET NO. OF SHEETS STA. TO STA.

F.A.P. RTE.	SECTION	COUNTY	TOTAL SHEETS	SHEET NO.
693	(21,22)R,RS-1	MCLEAN	105	38
FED. ROAD DIST. NO. ILLINOIS FED. AID PROJECT			CONTRACT NO. 70509	