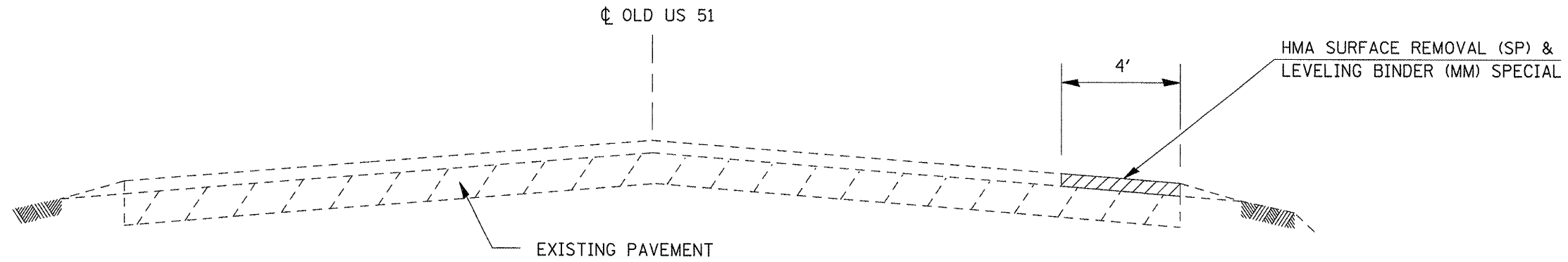


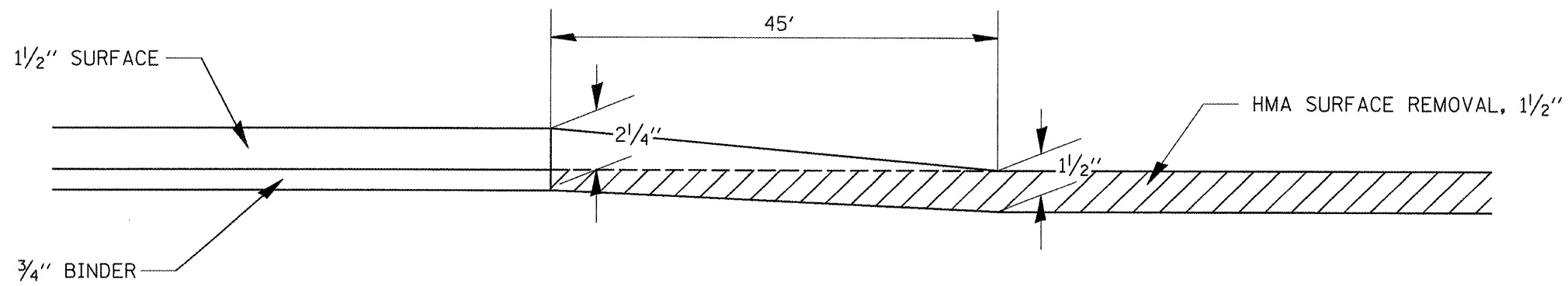
# DETAILS

## HMA SURFACE REM. (SP) & LEVELING BIND. (MM) (SP)

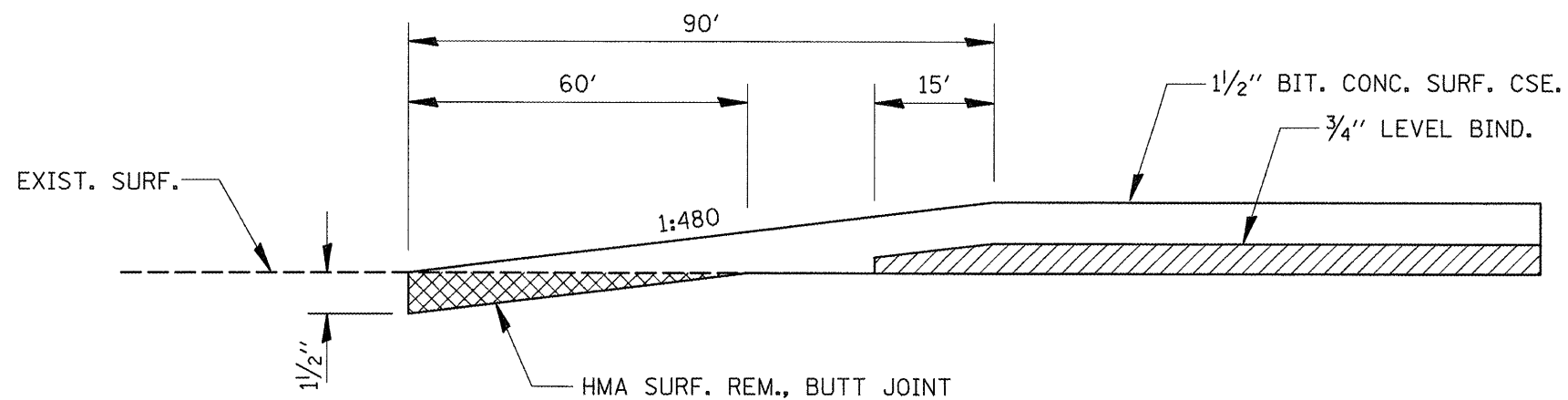
LOOKING NORTH  
STA. 341+85.60 TO STA. 433+72.80



## HMA SURFACE REMOVAL (RUNDOWN)



## HMA SURFACE REMOVAL (BUTT JOINT)



### HMA SURFACE REMOVAL (BUTT JOINT) LOCATIONS

- STA. 51+96.00 - 1 BUTT JOINT
- STA. 133+66.00 - 2 BUTT JOINTS
- STA. 159+69.60 - 2 BUTT JOINTS
- STA. 271+24.00 - 2 BUTT JOINTS
- STA. 289+80.00 - 2 BUTT JOINTS
- STA. 309+25.00 - 2 BUTT JOINTS
- STA. 446+92.80 - 1 BUTT JOINT

FILE NAME =	USER NAME = craigre	DESIGNED -	REVISED -	<b>STATE OF ILLINOIS DEPARTMENT OF TRANSPORTATION</b>	<b>DETAILS</b>	F.A.S. RTE.	SECTION	COUNTY	TOTAL SHEETS	SHEET NO.
ca\pwork\pwork\CRAIGRE\d0112235\0570	11-sht-details.dgn	DRAWN -	REVISED -			1476	(55,56)RS-3	McLean	24	11
	PLOT SCALE = 48.0000' / IN.	CHECKED -	REVISED -							
	PLOT DATE = 2/3/2009	DATE -	REVISED -							
						SCALE:	SHEET NO.	OF SHEETS	STA.	TO STA.
						ILLINOIS FED. AID PROJECT				