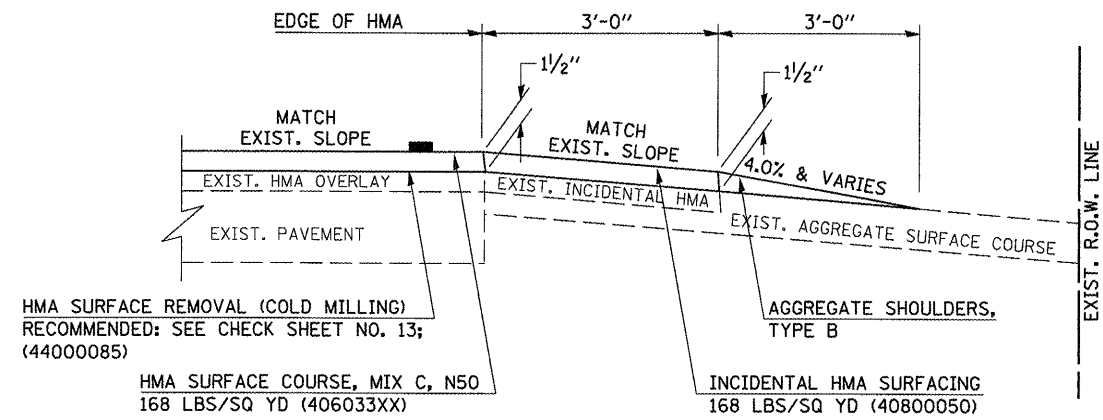


**PROJECTS WITHOUT RECONSTRUCTION**

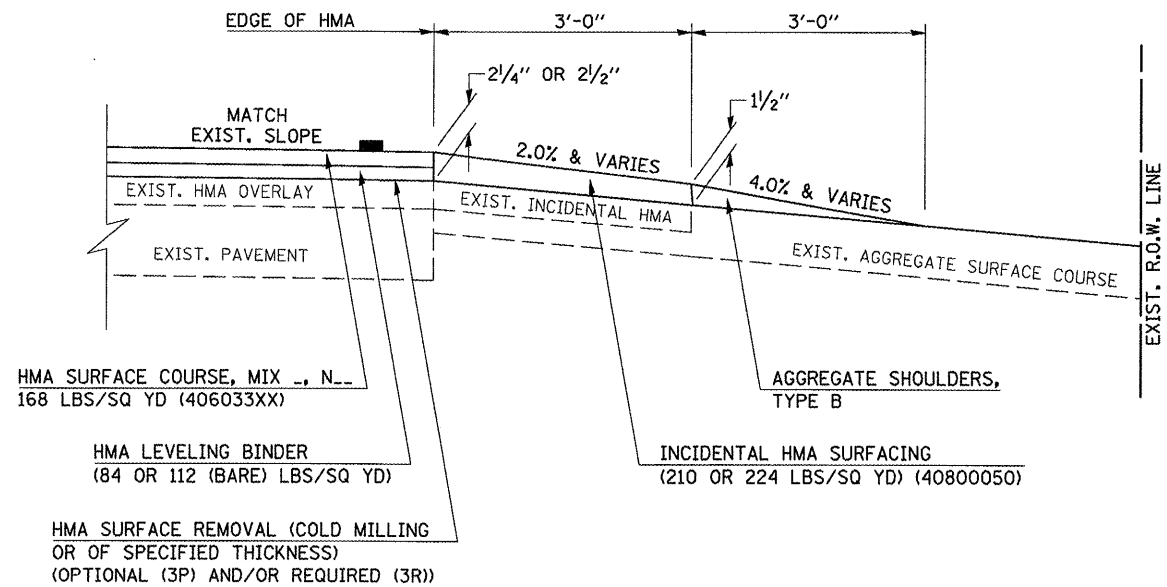
("3R" WITHOUT RECONSTRUCTION, 3P, SMART AND CM)

**S.M.A.R.T. IMPROVEMENTS**

(POLICY RESURFACING; BDE 53-4.03; 1/2")



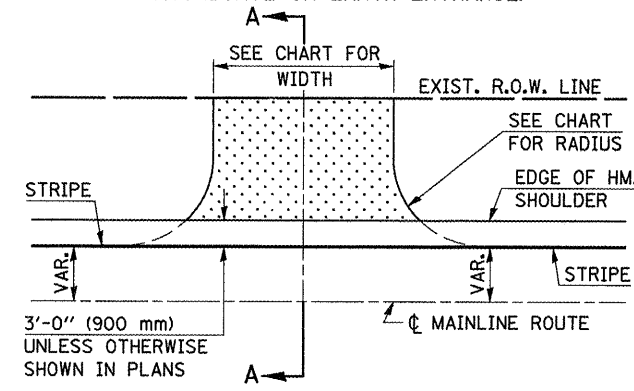
**"3P" OR "3R" IMPROVEMENTS**  
(POLICY RESURFACING; BDE 53-4.02; 2/4" OR 2/2" ON BARE CONCRETE)



**PROJECTS WITH RECONSTRUCTION**

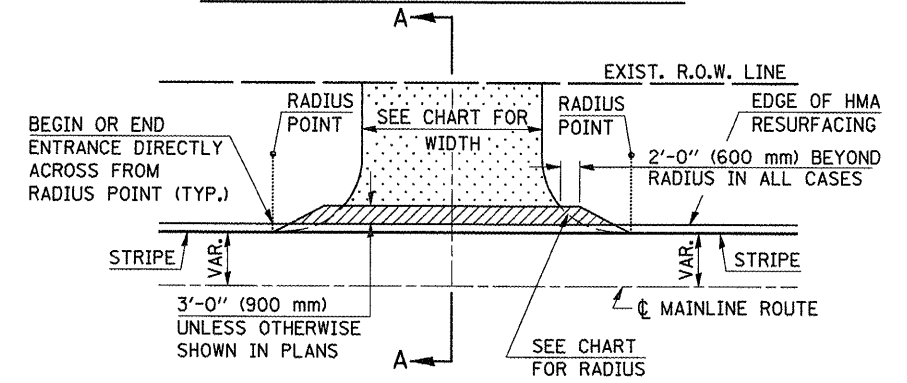
("3R" IMPROVEMENTS AND SMART/3P "SPOT" LOCATIONS)

**ADJACENT TO PROPOSED HMA SHOULDERS (AGGREGATE OR EARTH ENTRANCE)**

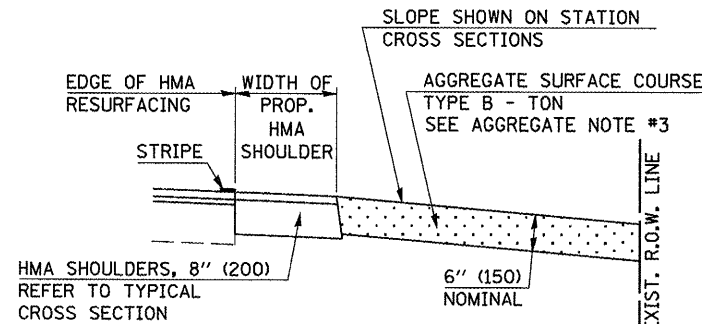


TYPICAL APPLICATION

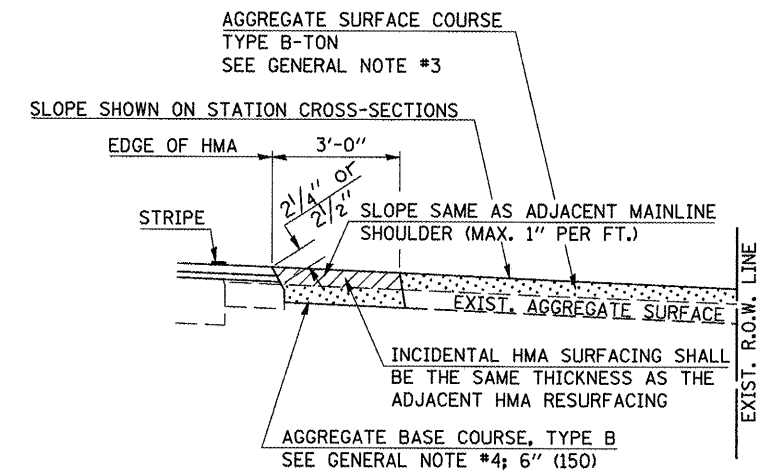
**EXISTING AGGREGATE OR EARTH ENTRANCE**



TYPICAL APPLICATION



SECTION A-A



SECTION A-A

Note: All dimensions are in INCHES (millimeters) unless otherwise shown.

FILE NAME =	USER NAME = oreigne	DESIGNED -	REVISED - 12/01/06 TJB
c:\pwwork\pwwork\oreigne\d0112235\0570511-sht-detail.dgn		DRAWN -	REVISED - 09/21/07 KAG
	PLOT SCALE = 48.0000' / IN.	CHECKED -	REVISED - 04/30/08 KJT
	PLOT DATE = 1/29/2009	DATE -	REVISED -

STATE OF ILLINOIS  
DEPARTMENT OF TRANSPORTATION

FIELD ENTRANCES (NONCOMMERCIAL RURAL)

SCALE: NA SHEET NO. 1 OF 2 SHEETS STA. TO STA.

**DISTRICT 5 DETAIL NO. 4080050A**

F.A.S. RTE.	SECTION	COUNTY	TOTAL SHEETS	SHEET NO.
1476	(55,56)RS-3	McLean	24	15
FED. ROAD DIST. NO.			ILLINOIS FED. AID PROJECT	
			CONTRACT NO. 70511	