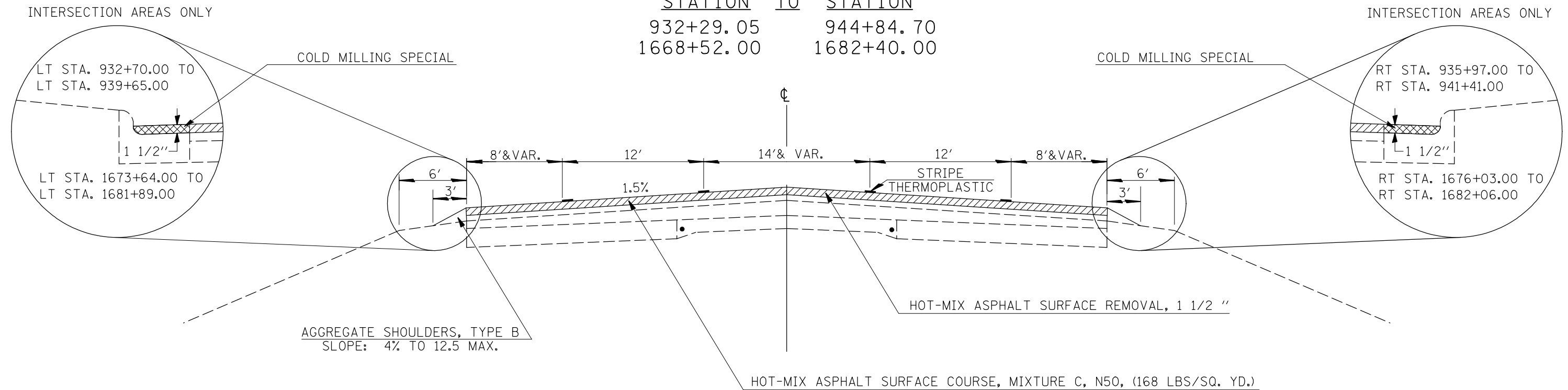


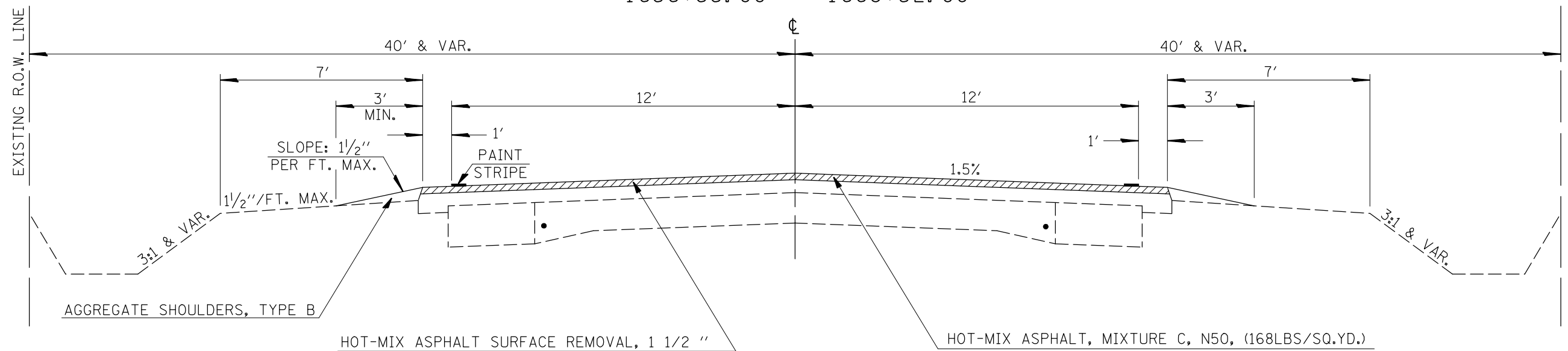
PROPOSED TYPICAL CROSS SECTION ①

STATION TO STATION  
 932+29.05 944+84.70  
 1668+52.00 1682+40.00



PROPOSED TYPICAL CROSS SECTION ②

STATION TO STATION  
 944+84.70 1135+25.00  
 1144+54.00 1646+45.00  
 1656+55.00 1668+52.00



FILE NAME =	USER NAME = ceorlockjd	DESIGNED -	REVISED -
ct:\pw\work\p\dot\ceorlockjd\0124787\sh-typical.dgn		DRAWN -	REVISED -
		CHECKED -	REVISED -
		DATE -	REVISED -

STATE OF ILLINOIS  
 DEPARTMENT OF TRANSPORTATION

PROPOSED TYPICAL CROSS SECTIONS

SCALE: SHEET NO. OF SHEETS STA. TO STA.

F.A.P. RTE.	SECTION	COUNTY	TOTAL SHEETS	SHEET NO.
323	(147,148,149)RS-4	Edgar	23	8
CONTRACT NO. 70714			ILLINOIS FED. AID PROJECT	