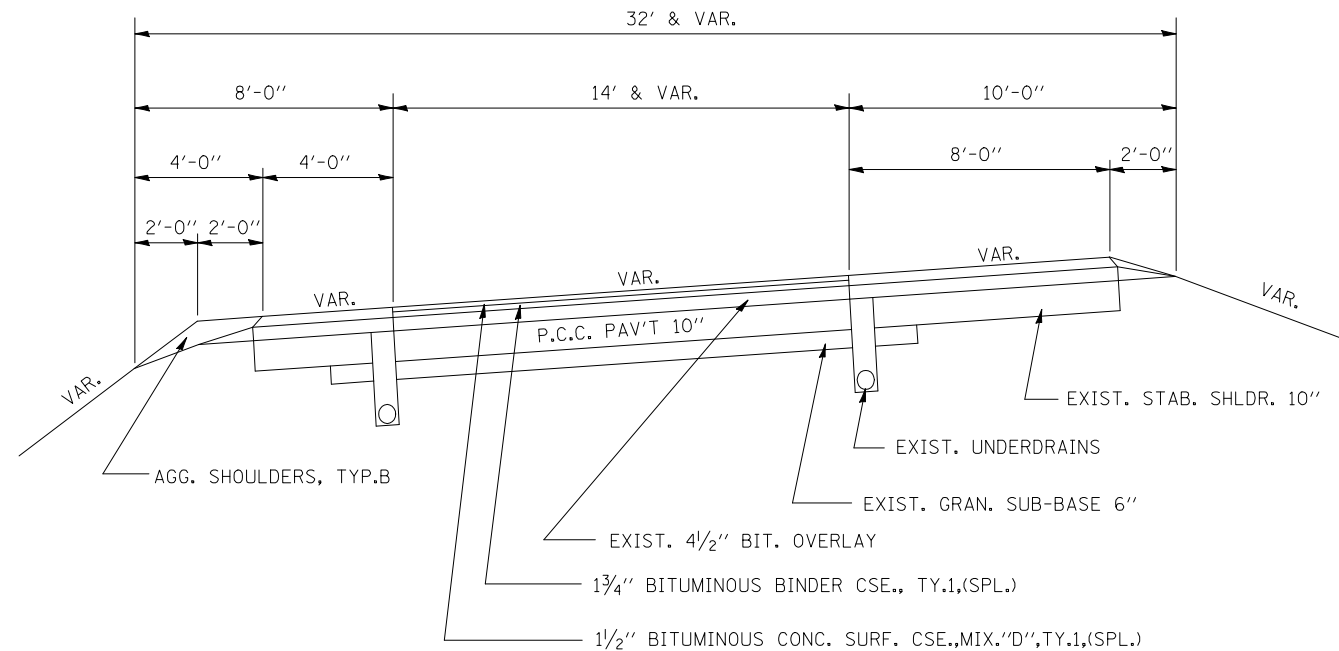


EXISTING TYPICAL SECTION

F. A. I. ROUTE 74 & U. S. ROUTE 51/ F. A. I. 55

STATION	TO	STATION
270+35.80		283+76.42 (RAMP C)
270+35.80		291+91.19 (RAMP E)
270+35.80		286+26.90 (RAMP F)

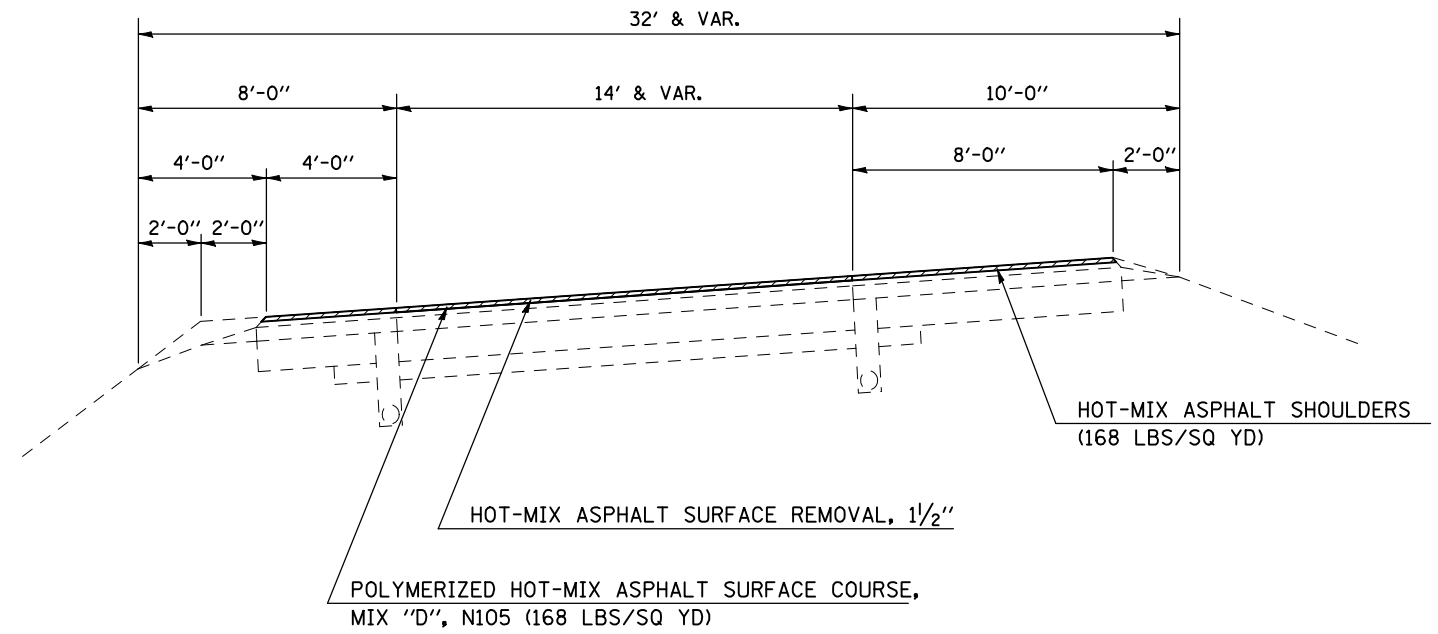


NOT TO SCALE

5 PROPOSED TYPICAL SECTION

F. A. I. ROUTE 74 & U. S. ROUTE 51/ F. A. I. 55

STATION	TO	STATION
② 270+35.80		283+76.42 (RAMP C)
② 270+35.80		291+91.19 (RAMP E)
② 270+35.80		286+26.90 (RAMP F)



NOT TO SCALE

SHEET 5 OF 5