

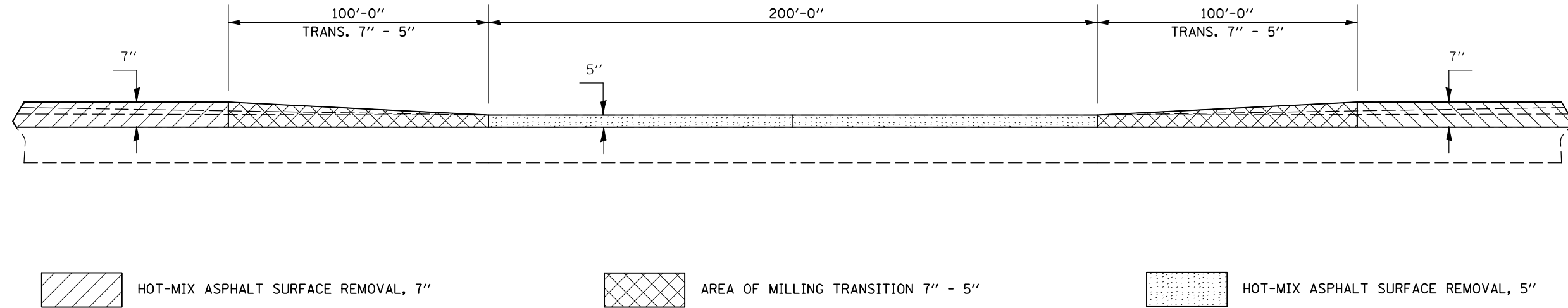
DETAIL FOR DRIVING LANE MILLING TRANSITION UNDER OVERHEAD STRUCTURES

NOTE: AREA OF MILLING TRANSITION SHALL BE INCLUDED IN THE CONTRACT UNIT PRICE FOR THE VARIOUS PAY ITEMS FOR HOT-MIX ASPHALT SURFACE REMOVAL OF THE DEPTH SPECIFIED AND NO ADDITIONAL COMPENSATION SHALL BE ALLOWED.

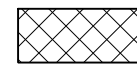
STATION	TO	STATION
EB 1735+38.77		EB 1739+38.77 (S. N. 057-0115)
WB 1736+05.54		WB 1740+05.54 (S. N. 057-0115)

NOTE: UPON COMPLETION OF THE PROJECT, THE VERTICAL CLEARANCES OF ALL AFFECTED OVERHEAD STRUCTURES SHALL BE VERIFIED AND REPORTED TO THE BUREAU OF OPERATIONS BY THE RESIDENT ENGINEER.

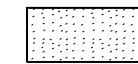
THE VARIOUS PAY ITEMS REPRESENT THE BEST INFORMATION AVAILABLE AT THE TIME OF COMPLETION OF THE PLANS FOR LETTING. VARIATIONS IN LOCATIONS AND LENGTHS MAY OCCUR. ALL MEASUREMENTS SHALL BE VARIFIED BY THE ENGINEER IN THE FIELD PRIOR TO CONSTRUCTION.



HOT-MIX ASPHALT SURFACE REMOVAL, 7"



AREA OF MILLING TRANSITION 7" - 5"



HOT-MIX ASPHALT SURFACE REMOVAL, 5"

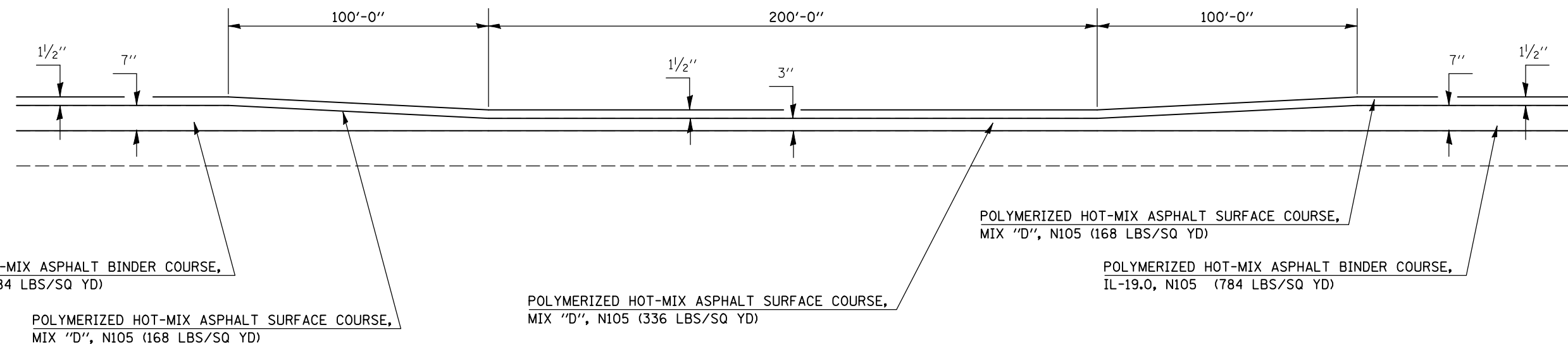
NOT TO SCALE

DETAIL FOR DRIVING LANE PAVING TRANSITION UNDER OVERHEAD STRUCTURES

THE VARIOUS PAY ITEMS REPRESENT THE BEST INFORMATION AVAILABLE AT THE TIME OF COMPLETION OF THE PLANS FOR LETTING. VARIATIONS IN LOCATIONS AND LENGTHS MAY OCCUR. ALL MEASUREMENTS SHALL BE VARIFIED BY THE ENGINEER IN THE FIELD PRIOR TO CONSTRUCTION.

STATION	TO	STATION
EB 1735+38.77		EB 1739+38.77 (S. N. 057-0115)
WB 1736+05.54		WB 1740+05.54 (S. N. 057-0115)

NOTE: UPON COMPLETION OF THE PROJECT, THE VERTICAL CLEARANCES OF ALL AFFECTED OVERHEAD STRUCTURES SHALL BE VERIFIED AND REPORTED TO THE BUREAU OF OPERATIONS BY THE RESIDENT ENGINEER.



POLYMERIZED HOT-MIX ASPHALT BINDER COURSE, IL-19.0, N105 (784 LBS/SQ YD)

POLYMERIZED HOT-MIX ASPHALT SURFACE COURSE, MIX "D", N105 (168 LBS/SQ YD)

POLYMERIZED HOT-MIX ASPHALT SURFACE COURSE, MIX "D", N105 (336 LBS/SQ YD)

POLYMERIZED HOT-MIX ASPHALT SURFACE COURSE, MIX "D", N105 (168 LBS/SQ YD)

POLYMERIZED HOT-MIX ASPHALT BINDER COURSE, IL-19.0, N105 (784 LBS/SQ YD)

NOT TO SCALE

SHEET 6 OF 11

FILE NAME =	USER NAME = shererjm	DESIGNED - JMS	REVISED -	STATE OF ILLINOIS DEPARTMENT OF TRANSPORTATION	MILLING & PAVING TRANSITION DETAILS	F.A.P. RTE. 74	SECTION (57-18,19)RS-2(9-1,57-5)RS	COUNTY MCLEAN	TOTAL SHEETS 38	SHEET NO. 29	
ct:\pw\work\PWID01\SHERERJM\0115027\0570761-sht-details.dgn	DRAWN - JMS	REVIS	REVIS			SCALE: NO SCALE		SHEET NO. 6 OF 11 SHEETS		STA. TO STA.	
PLOT SCALE = 100.0000' / IN.	CHECKED -	REVIS	REVIS			CONTRACT NO. 70761					
PLOT DATE = 4/8/2009	DATE - 02/27/2009	REVIS	REVIS			FED. ROAD DIST. NO. ILLINOIS FED. AID PROJECT					