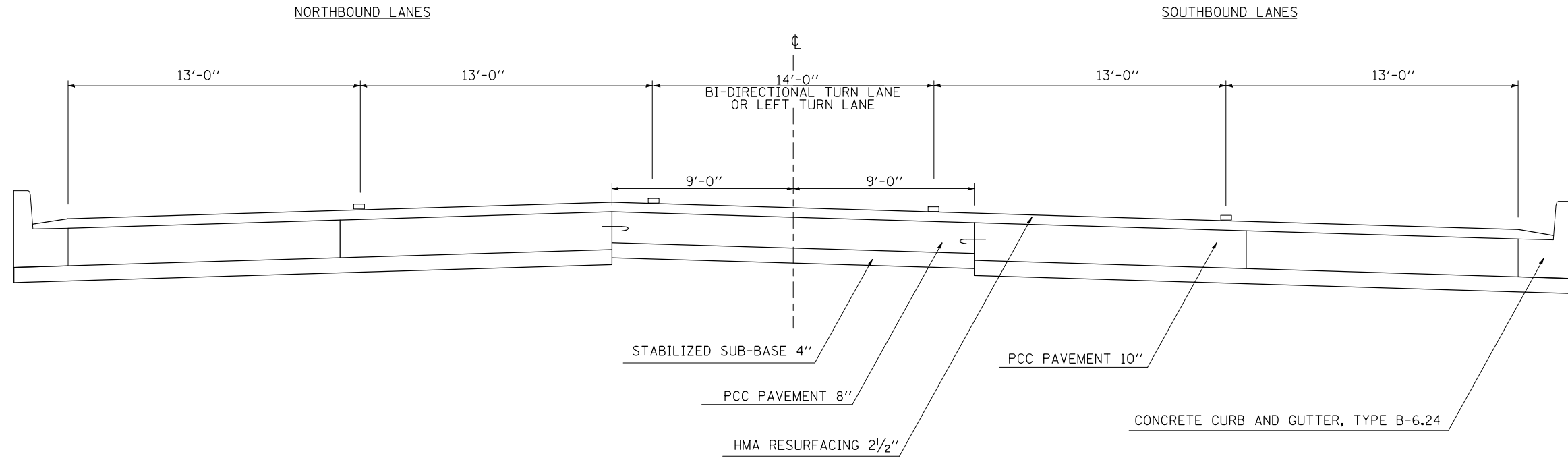


### 5 EXISTING TYPICAL CROSS SECTION

FAP 730 (NB & SB)

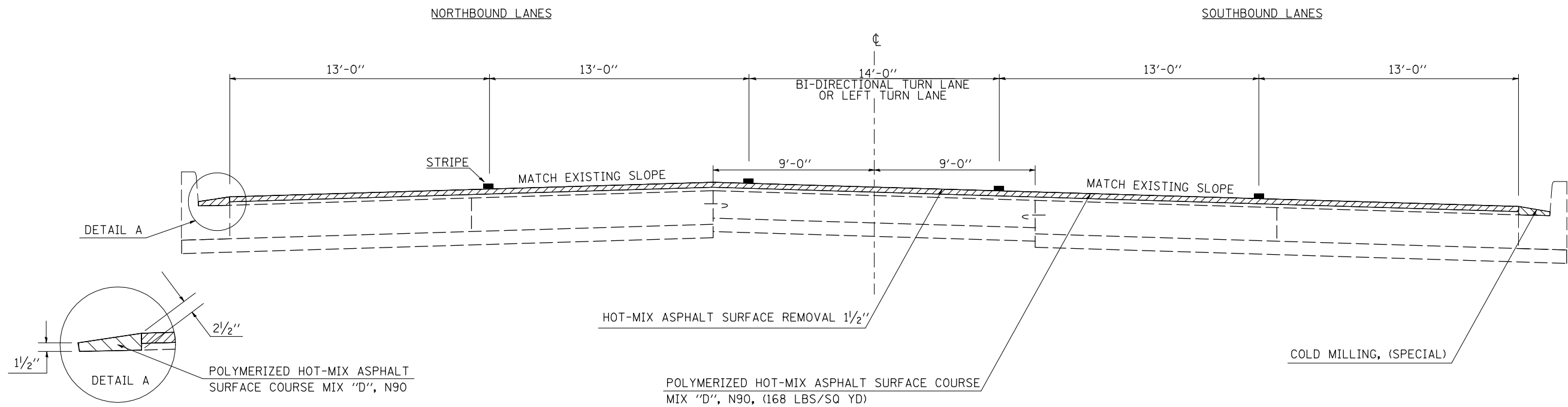
STATION	TO	STATION
③ 108+50.00		110+37.00 ⑥
⑥ 121+37.00		125+50.00 ⑦



### 5 PROPOSED TYPICAL CROSS SECTION

FAP 730 (NB & SB)

STATION	TO	STATION
③ 108+50.00		110+37.00 ⑥
⑥ 121+37.00		125+50.00 ⑦



FILE NAME =	USER NAME = bowerm1	DESIGNED -	REVISED -	<b>STATE OF ILLINOIS DEPARTMENT OF TRANSPORTATION</b>	<b>TYPICAL CROSS SECTIONS</b>			F.A.P. RTE.	SECTION	COUNTY	TOTAL SHEETS	SHEET NO.
ct:\pw\work\p\dot\bowerm1\d0128832\70775\sh-t\typical.dgn		DRAWN - MLB	REVISED -		730	(61,62Z,62R,62Z-1,3)RS-1,2,3	MCLEAN	89	13			
PLOT SCALE = 40.0000' / IN.		CHECKED - GTR	REVISED -		CONTRACT NO. 70775							
PLOT DATE = 3/26/2009		DATE - 2/19/09	REVISED -		ILLINOIS FED. AID PROJECT							
				SCALE: N/A	SHEET NO. OF SHEETS	STA.	TO STA.					