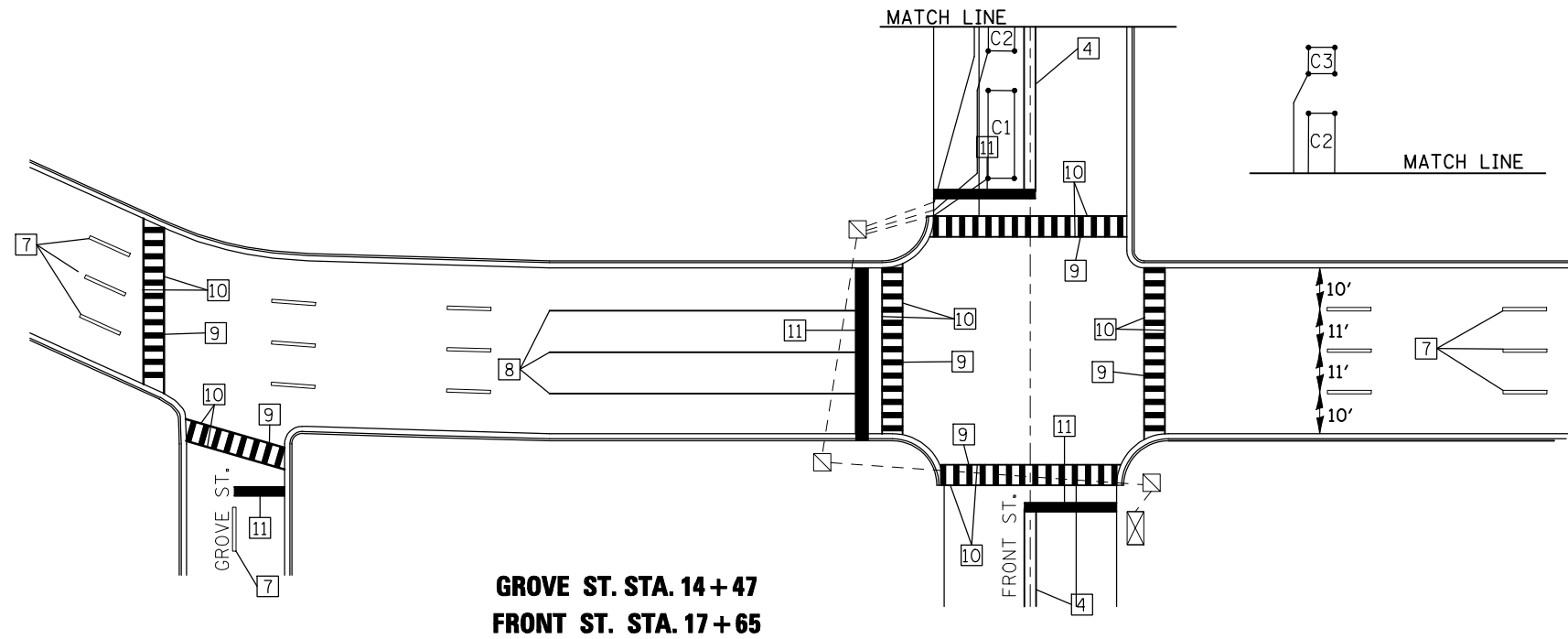
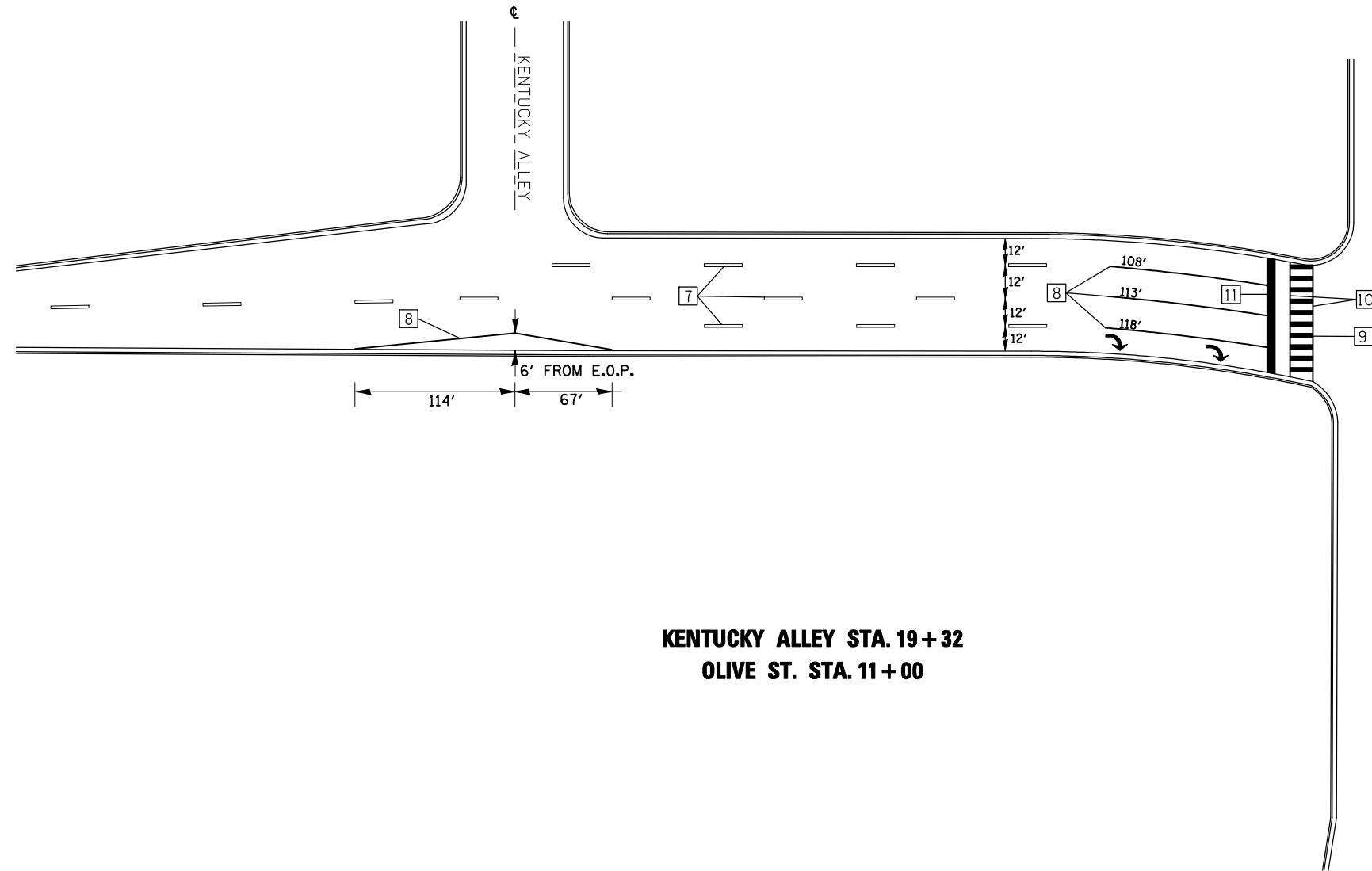


SEE SHEET NO. 48 FOR TYPICAL PAVEMENT MARKING LEGEND.



LOOP DATA				
U.S. 51 (East St.) & Front St.				
Loop	Length	Width	Number of Turns	Delay (sec.)
C1	20'	6'	4	
C2	20'	6'	4	
C3	6'	6'	4	

THE FOLLOWING LOOPS SHALL BE WIRED TO COMMON AMPLIFIERS: (C1, C2), (C3)



FILE NAME =	USER NAME = bowerml	DESIGNED -	REVISED -
ct:\pw\work\PWIDOT\BOWERML\d0128032\0570775-sht\pvmk&detectorloop (FINAL).dgn		DRAWN -	REVISED -
PLOT SCALE = 40.0000' / IN.		CHECKED -	REVISED -
PLOT DATE = 4/9/2009		DATE -	REVISED -

STATE OF ILLINOIS  
DEPARTMENT OF TRANSPORTATION

PAVEMENT MARKING &  
DETECTOR LOOP DETAILS

SCALE: SHEET NO. OF SHEETS STA. TO STA.

F.A.P. RTE.	SECTION	COUNTY	TOTAL SHEETS	SHEET NO.
730	(61,62Z,62R,62Z-1,3)RS-1,2,3	McLean	89	81
ILLINOIS FED. AID PROJECT			CONTRACT NO. 70775	