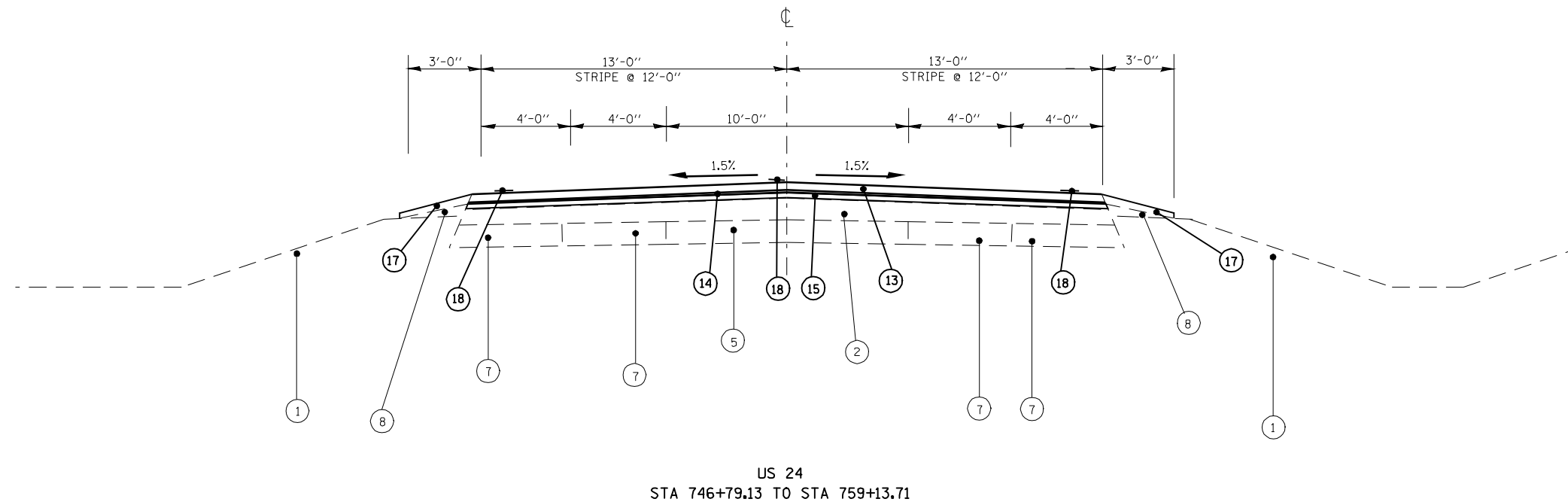


F.A.P. RTE.	SECTION	COUNTY	TOTAL SHEETS	SHEET NO.
317	14RS-5, 15RS-2	SCHUYLER	24	10
FED. ROAD DIST. NO.		ILLINOIS	FED. AID PROJECT	

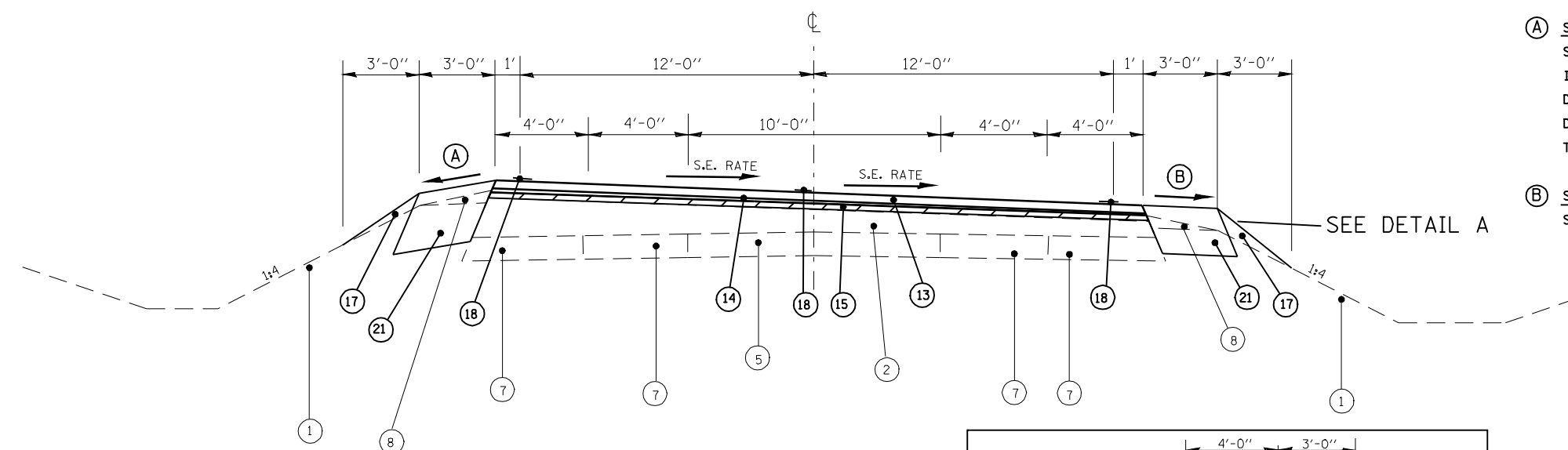
LEGEND

- ① EXISTING EARTH SHOULDERS
- ② EXISTING BITUMINOUS CONCRETE OVERLAY (DEPTH VARIES)
- ③ EXISTING 1/2" Ø TIE BAR
- ④ EXISTING 3/4" Ø SMOOTH BAR
- ⑤ EXISTING PCC PAVEMENT
- ⑥ EXISTING P.C.C. PAVEMENT (9-6-9)
- ⑦ EXISTING BITUMINOUS CONCRETE WIDENING (9")
- ⑧ EXISTING AGGREGATE SHOULDER TY. B
- ⑨ EXISTING BITUMINOUS SHOULDER (8")
- ⑩ EXISTING TYPE A CONCRETE GUTTER
- ⑪ EXISTING BITUMINOUS BASE COURSE 10 1/4"
- ⑫ EXISTING LIME MODIFIED SOIL 12"
- ⑬ PROPOSED HMA SURFACE COURSE, MIX "C" N50 - 1 1/2"
- ⑭ PROPOSED LEVELING BINDER (MACHINE METHOD), N50 - 3/4"
- ⑮ PROPOSED HMA SURFACE REMOVAL (VARIABLE DEPTH) - 3/4" AVE
- ⑯ PROPOSED HMA SURFACE REMOVAL 2"
- ⑰ PROPOSED AGGREGATE SHOULDERS, TYPE B (WEDGE)
- ⑱ PROPOSED PAINT PAVEMENT MARKING - LINE 5"
- ⑲ PROPOSED HMA SHOULDER, - 2 1/4" (PAVEMENT) TO 1 1/2" (GUTTER)
- ⑳ PROPOSED SURFACE REMOVAL VAR. DEPTH (3/4" AT PAVEMENT TO 1 1/2" AT GUTTER)
- ㉑ PROPOSED HMA SHOULDER, 8"

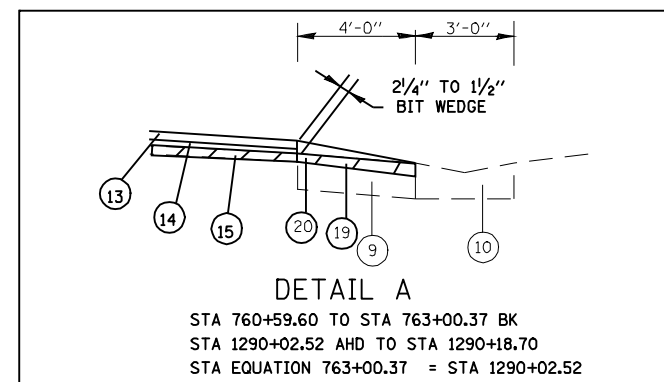


US 24
STA 746+79.13 TO STA 759+13.71

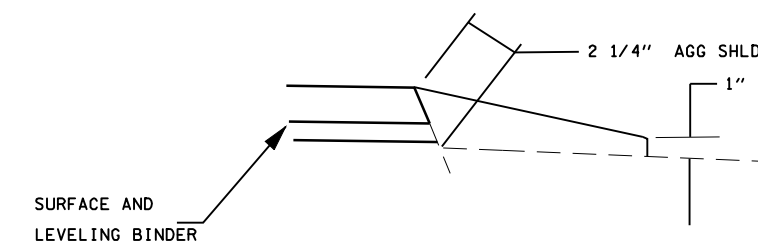
- (A) **SHOULDER SLOPE HIGH SIDE OF S. E. :**
SHOULDER SHALL BE SLOPED AT 1/2 "/ft (4%) IF THE S. E. IS BETWEEN 0% AND 4%. IF THE S. E. IS GREATER THAN 4% THE SHOULDER SHALL BE SLOPED SO THAT THE ALGEBRAIC DIFFERENCE BETWEEN THE PAVEMENT CROSS SLOPE AND THE SHOULDER SLOPE DOES NOT EXCEED 8%. WHEN THE S. E. IS 8%, THE SHOULDER SLOPE SHALL BE 1% TOWARD THE LANES OF TRAFFIC TO FACILITATE DRAINAGE.
- (B) **SHOULDER SLOPE LOW SIDE OF S. E. :**
SHOULDER SHALL BE THE SAME AS S. E. , BUT NOT LESS THAN 4%.



STA 759+13.71 TO STA 760+53.71 - S.E. TRANSITION
STA 760+53.71 TO STA 761+25.00 - FULL S.E. - 3.6%
TRANSITION LENGTH - 140 FEET



DETAIL A
STA 760+59.60 TO STA 763+00.37 BK
STA 1290+02.52 AHD TO STA 1290+18.70
STA EQUATION 763+00.37 = STA 1290+02.52



**AGGREGATE SHOULDER
DETAIL - TYPICAL**

REVISIONS	
NAME	DATE

ILLINOIS DEPARTMENT OF TRANSPORTATION
TYPICAL SECTIONS
FAP 317 (US 24)
14RS-5, 15RS-2
SCHUYLER COUNTY

VERT. : NONE
HORIZ. : NONE
DATE : JUNE, 2004
DRAWN BY DJK
CHECKED BY CAJ