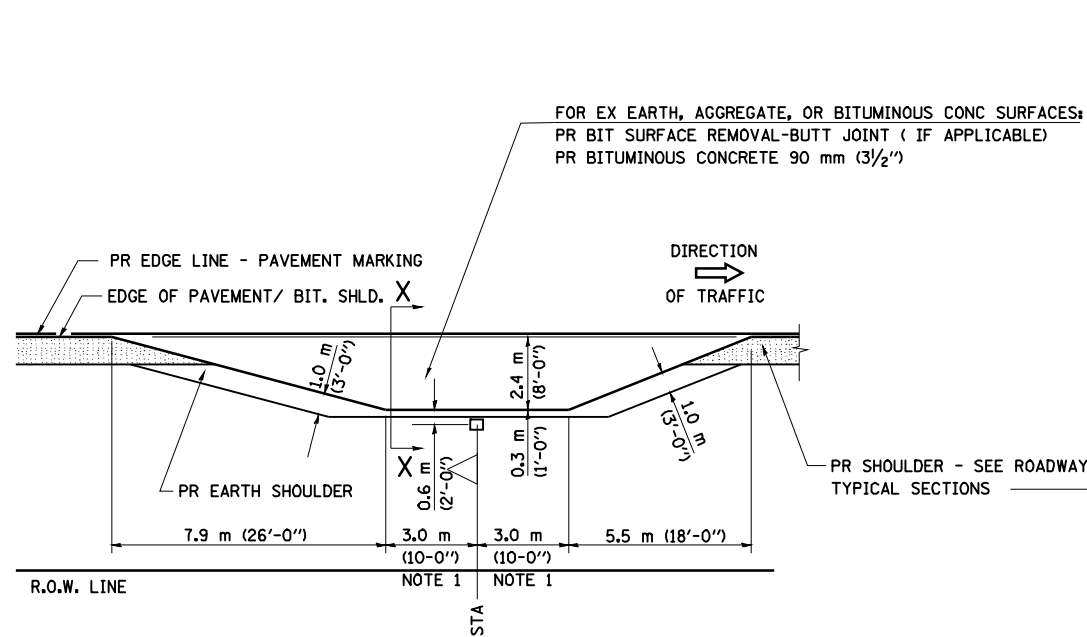
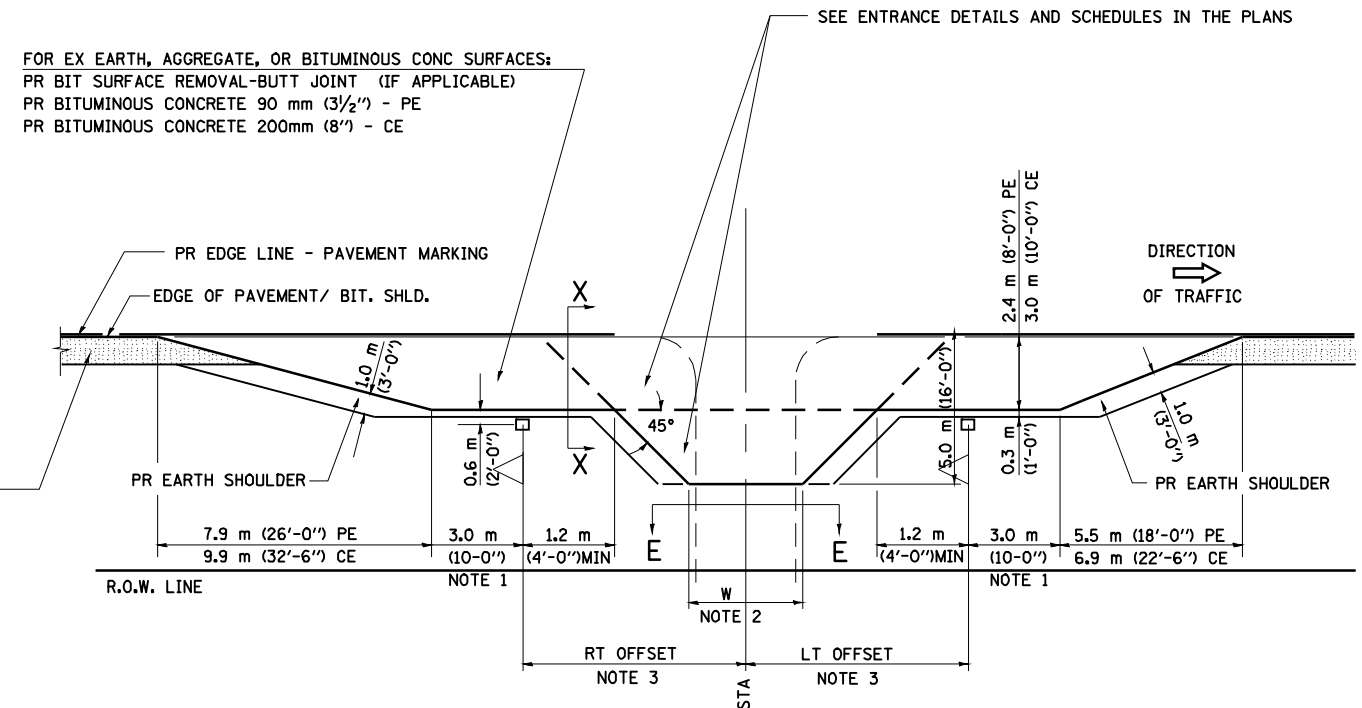


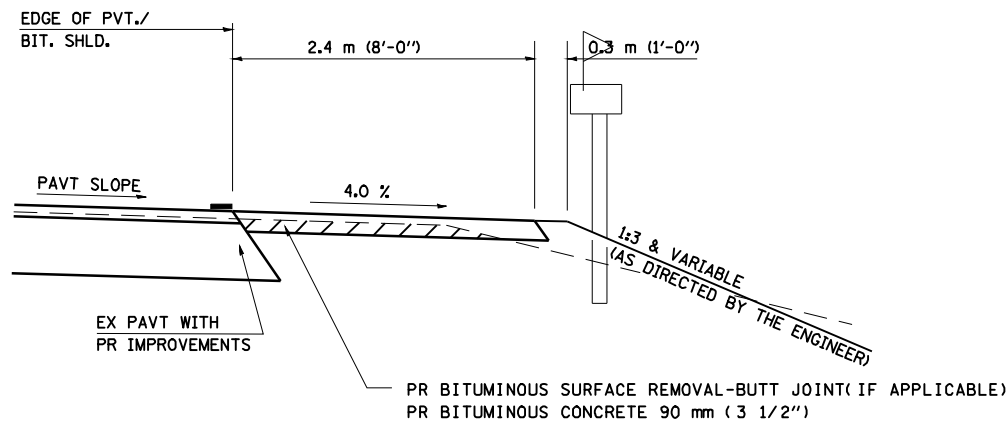
# DETAILS OF MAILBOX TURNOUTS



PLAN - MAILBOX TURNOUTS

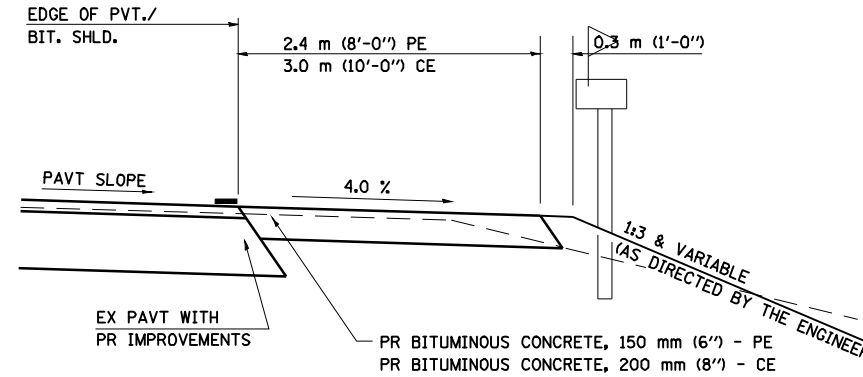


PLAN - COMBINED MAILBOX TURNOUT WITH TRAILING OR LEADING ENTRANCE



SECTION X-X THRU MAILBOX TURNOUT  
 ALSO APPLIES TO MAILBOX TURNOUTS COMBINED WITH  
 EX EARTH, AGGREGATE, OR BITUMINOUS PE & FE

(DETAIL APPLIES WHEN M.B. TURNOUT DOES NOT EXIST.  
 IF EXISTING, TREAT SAME AS ENTRANCE.)



SECTION X-X THRU MAILBOX TURNOUT  
 COMBINED WITH EX BITUMINOUS CONC & PC CONC PE & CE

(DETAIL APPLIES WHEN M.B. TURNOUT DOES NOT EXIST.  
 IF EXISTING, TREAT SAME AS ENTRANCE.)

- NOTE 1 IF MORE THAN ONE MAILBOX IS PRESENT, DIMENSION FROM CENTER OF END MAILBOX.
- NOTE 2 FOR ENTRANCE LAYOUT DIMENSIONS AND SECTIONS A-A & E-E REFER TO THE SCHEDULES IN THE PLANS.
- NOTE 3 BOTH LT OR RT OFFSETS FOR MAILBOX SHOWN USE OFFSET DIMENSION PER SCHEDULE AND REFER TO LAYOUT SHOWN ON THE PLAN.

ALL DIMENSIONS ARE IN MILLIMETERS ( INCHES )  
 UNLESS OTHERWISE SHOWN.

FILE NAME =	USER NAME = laughlinr1	DESIGNED - JCN	REVISED - JCN	2/19/03
e:\pwwork\p\WIDOT\LAUGHLINRL\dms26633\ent_ppp.dgn		DRAWN - CAD	REVISED -	
	PLOT SCALE = 48.000' / IN.	CHECKED - JCN	REVISED -	
	PLOT DATE = Apr-10-2009 01:21:48PM	DATE - 2/23/99	REVISED -	

STATE OF ILLINOIS  
 DEPARTMENT OF TRANSPORTATION

DISTRICT SIX DETAILS FOR RURAL / URBAN  
 ENTRANCE, MAILBOX TURNOUT & SIDEROADS  
 W / O CONCRETE GUTTER (PPP - PROJECTS)

SCALE: NONE SHEET NO. 2 OF 2 SHEETS STA. TO STA.

F.A.P. RTE.	SECTION	COUNTY	TOTAL SHEETS	SHEET NO.
317	14RS-5, 15RS-2	SCHUYLER	23	21
CONTRACT NO. 72849				
FED. ROAD DIST. NO. ILLINOIS FED. AID PROJECT				