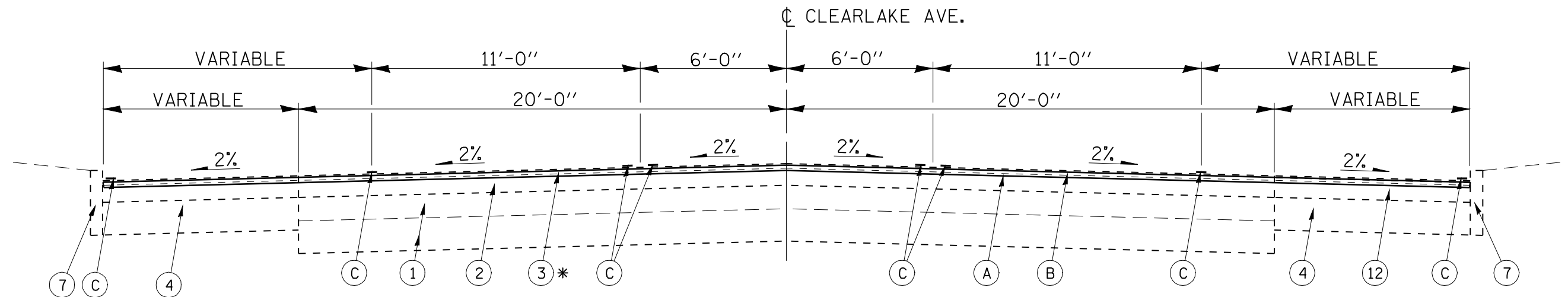


STA. 75+17.58 TO STA. 79+24.00



STA. 79+24.00 TO STA. 79+88.00

* EXISTING BIT. CONC. OVERLAY VARIES:
 C = 2" DEPTH
 E.O.P. = 1 1/2" DEPTH
 FLOWLINE OF GUTTER = 2 1/2" DEPTH

LEGEND

- ① P.C.C. BASE COURSE, 8", W/ BIT. CONC. CL I, 5 3/4"
- ② BITUMINOUS CONCRETE SURFACE COURSE, CL I, 3"
- ③ BITUMINOUS CONCRETE SURFACE COURSE, 1 1/2" *
- ④ P.C.C. BASE COURSE WIDENING, 8"
- ⑤ EXPANSION TIE ANCHORS 3/4" DIA., 30" CTRS.
- ⑥ COMBINATION CONCRETE CURB & GUTTER, TYPE B-6.24
- ⑦ CONCRETE CURB, TYPE B
- ⑧ BRICK PAVEMENT, 4"
- ⑨ SAND CUSHION, 1"
- ⑩ CONCRETE MEDIAN, TYPE C-4
- ⑪ LONGITUDINAL CONSTRUCTION JOINT
- ⑫ BITUMINOUS CONCRETE SURFACE, 4"
- ⑬ LEVELING BINDER (MACHINE METHOD), VARIABLE DEPTH
- (A) PROPOSED HOT-MIX ASPHALT SURFACE REMOVAL - 2 1/4"
- (B) PROPOSED POLYMERIZED HOT-MIX ASPHALT SURFACE COURSE, MIX "E", N90 (2" DEPTH)
- (C) PROPOSED THERMOPLASTIC PAVEMENT MARKING - LINE 5"

FILE NAME =	USER NAME = laughlinr1	DESIGNED - RTS	REVISED - RTS 04-09-09	STATE OF ILLINOIS DEPARTMENT OF TRANSPORTATION	TYPICAL CROSS SECTIONS CLEARLAKE AVENUE		F.A.P. RTE. 67	SECTION (107)RS-8, (B-19)RS-4	COUNTY SANGAMON	TOTAL SHEETS 28	SHEET NO. 5	
es:\pwork\pwork\LAUGHLINRL\dms21748\0672C98-shr-typical.dgn	DRAWN - RTS	CHECKED -	REVISED -		SCALE:	SHEET NO. 1 OF 4 SHEETS	STA. TO STA.	CONTRACT NO. 72C98		FED. ROAD DIST. NO. ILLINOIS FED. AID PROJECT		
PLOT SCALE = 7.0000' / IN.	DATE - 09-25-08	REVISED -	REVISED -									
PLOT DATE = Apr-15-2009 02:43:38PM	REVISED -											