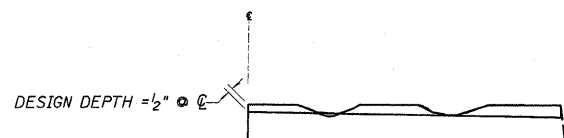
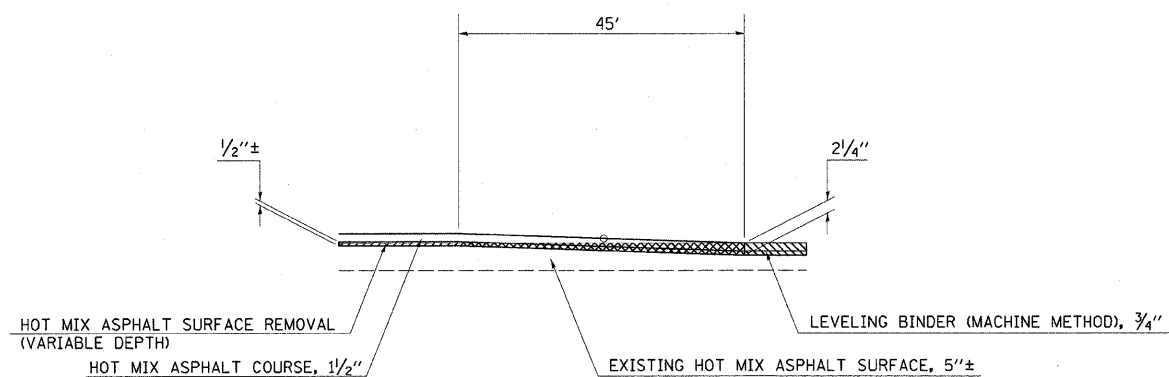


HOT-MIX ASPHALT SURFACE REMOVAL, BUTT JOINT
 HOT-MIX ASPHALT SURFACE REMOVAL (VARIABLE DEPTH)

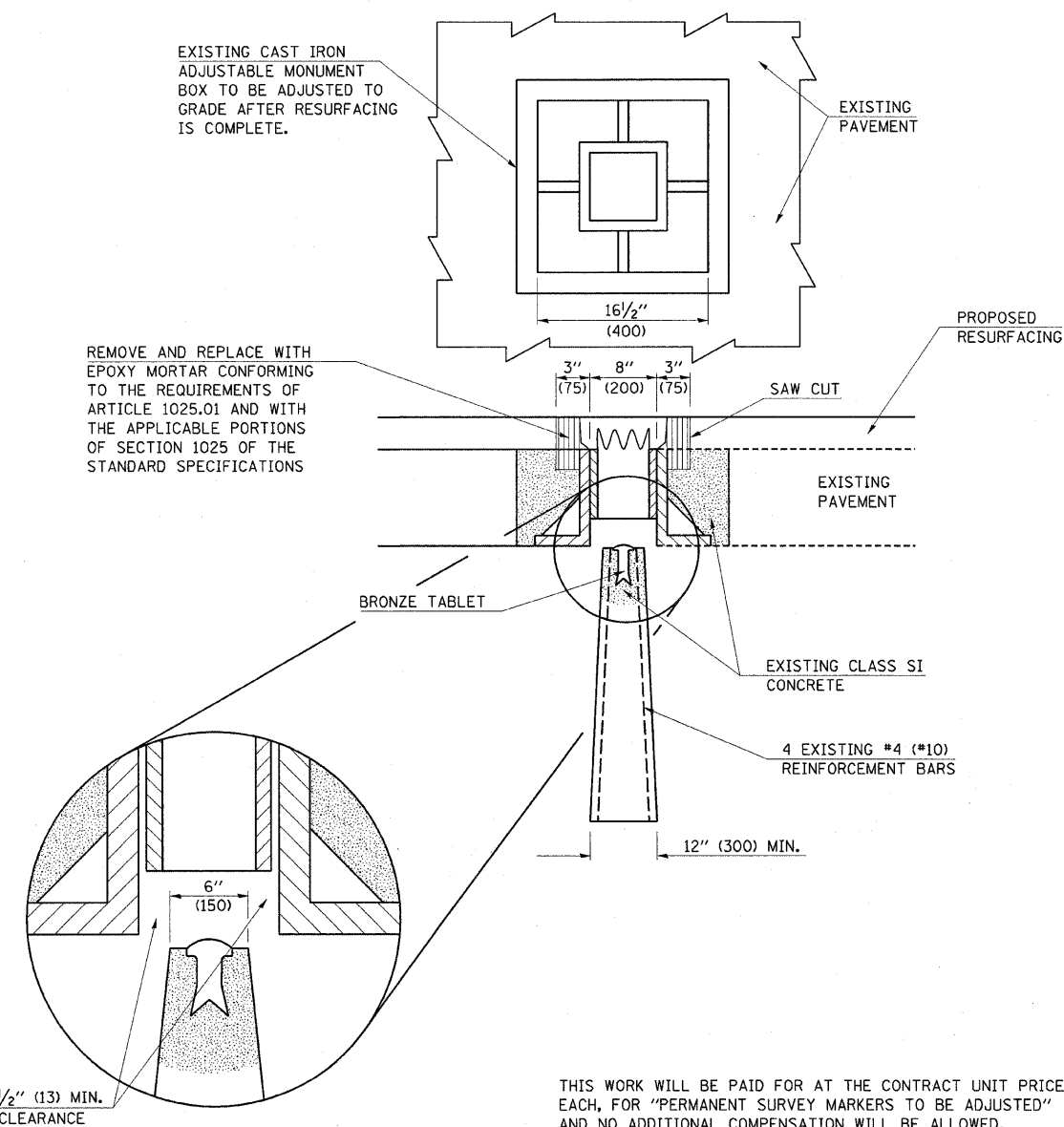


NOTES:

1. MILLING SHALL BE DONE TO ATTAIN A 3/16" SLOPE IN CROWN SECTIONS
2. EXISTING S.E. AND S.E. TRANSITIONS SHALL BE MAINTAINED UNLESS OTHERWISE SHOWN ON THE PLANS.
3. MILLING TO THE BOTTOM OF WHEEL RUTS SHALL NOT BE NECESSARY UNLESS REQUIRED TO OBTAIN SLOPE OR THE DESIGN DEPTH AT CENTERLINE.
4. THE AVERAGE DEPTH OF MILLING IS ESTIMATED TO BE 1/2" BUT MAY VARY IN ISOLATED LOCATIONS.

**HOT MIX ASPHALT SURFACE REMOVAL
(VARIABLE DEPTH) DETAIL**

66700110 – PERMANENT SURVEY MARKERS TO BE ADJUSTED
TO BE INSTALLED FOR PRESERVING EXISTING CAST IRON PERMANENT SURVEY MARKERS, TYPE III



THIS WORK WILL BE PAID FOR AT THE CONTRACT UNIT PRICE, EACH, FOR "PERMANENT SURVEY MARKERS TO BE ADJUSTED" AND NO ADDITIONAL COMPENSATION WILL BE ALLOWED.

	NAME	DATE	REVISIONS	
DESIGNED	Pr.A.T.	1994	NAME	DATE
CHECKED	D.L.P.	12-95	D.L.P.	12-95
CADD NO.	D-1.06		K.A.G.	08-04

ALL DIMENSIONS ARE IN INCHES (MILLIMETERS) UNLESS OTHERWISE SHOWN.

FILE NAME =
c:\pwork\p\1001\TEASLEYCK\0121195\07

USER NAME = teasleyck
4381-sht-details.dgn
PLOT SCALE = 50.0000 ' / IN.
PLOT DATE = 4/12/2009

DESIGNED -
DRAWN -
CHECKED -
DATE -

REVISED -
REVISED -
REVISED -
REVISED -

**STATE OF ILLINOIS
DEPARTMENT OF TRANSPORTATION**

**BUTT JOINT, MILLING DETAILS
& SURVEY MARKERS**

SCALE: SHEET NO. 2 OF 2 SHEETS STA. TO STA.

F.A.P. RTE.	SECTION	COUNTY	TOTAL SHEETS	SHEET NO.
749	119RS-2	MOULTRIE	26	22
CONTRACT NO. 74381				
ILLINOIS FED. AID PROJECT				