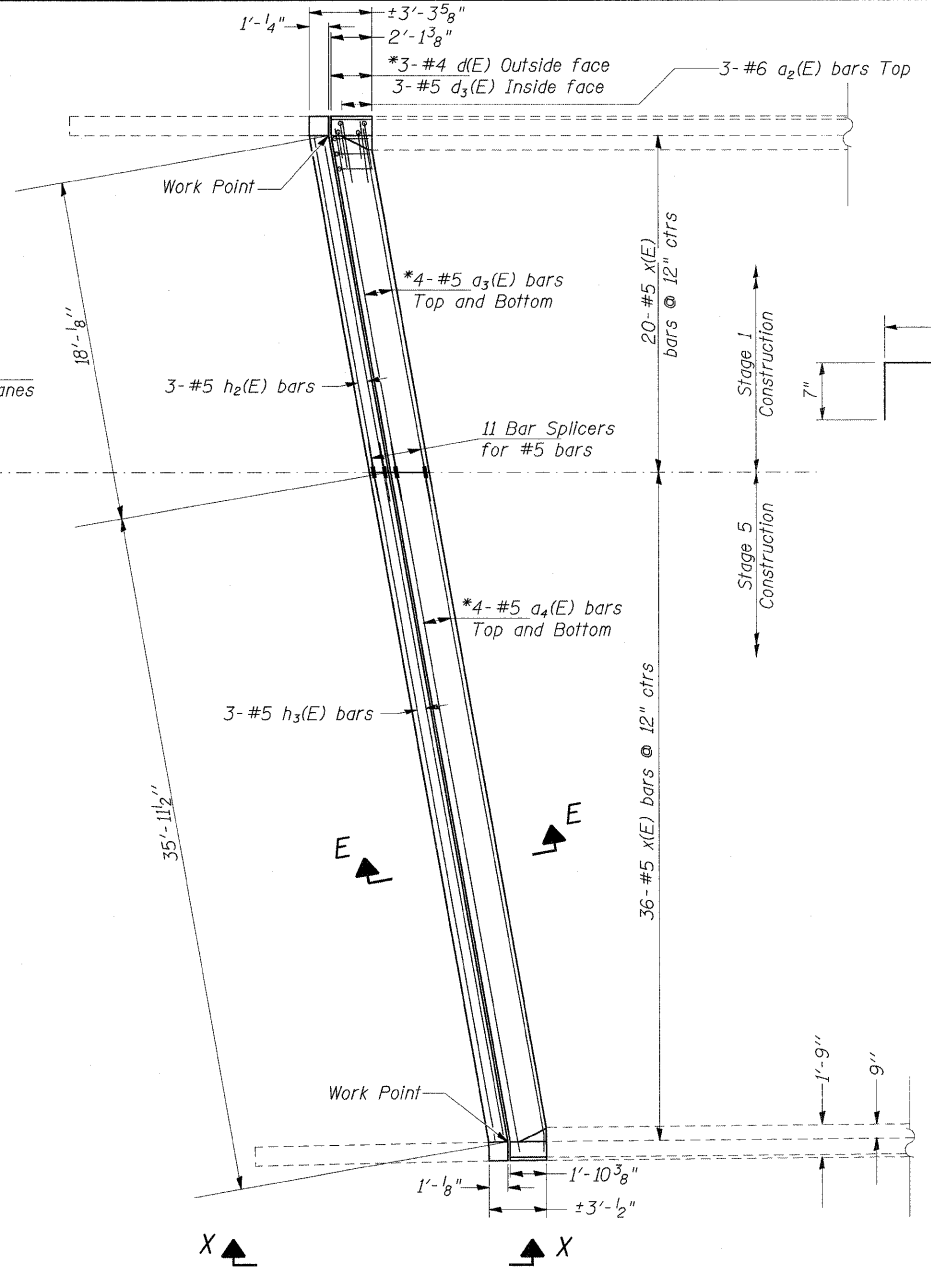
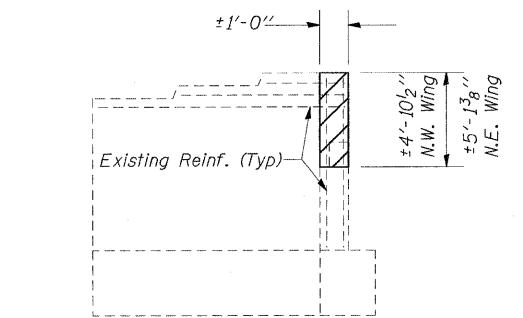


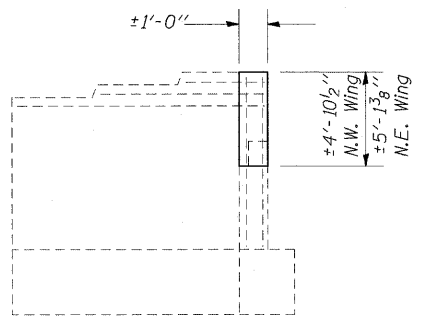
**NORTH ABUT. PLAN
SHOWING CONCRETE REMOVAL**



**NORTH ABUT. PLAN
SHOWING NEW CONCRETE**

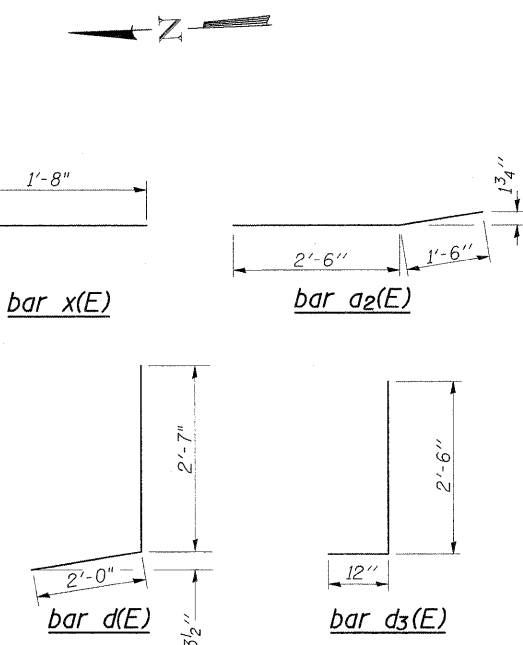


**VIEW Y-Y
Showing Concrete
Removal**

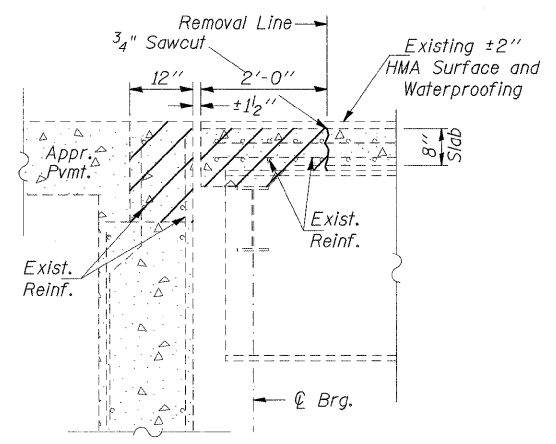


**VIEW X-X
Showing Concrete
Superstructures**

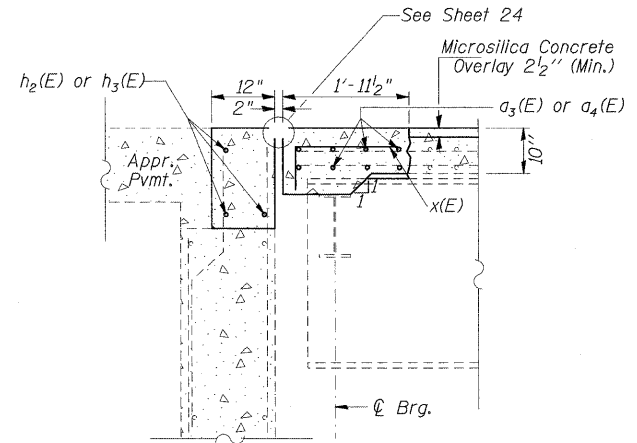
Notes:
 * Bend Bars in Field to fit.
 Dimensions are based on a Rolled Rail Strip Seal Joint.
 If the Contractor elects to use the Welded Rail Strip
 Seal Joint, deck dimensions may require adjustments
 to satisfy the details on Base Sheet EJ-SSJ.



**SECTION THRU PARAPET
Deck Section**



**SECTION D-D
Dimensions measured @
Right Angles**



**SECTION E-E
Dimensions measured @
Right Angles**

BILL OF MATERIAL

Bar	No.	Size	Length	Shape
a2(E)	6	#6	4'-0"	—
a3(E)	8	#5	18'-2"	—
a4(E)	8	#5	36'-2"	—
d(E)	6	#4	4'-7"	┘
d3(E)	6	#5	3'-6"	┘
h2(E)	3	#5	17'-8"	—
h3(E)	3	#5	35'-8"	—
x(E)	56	#5	2'-3"	┘
Concrete Superstructure		Cu. Yd.	9.0	
Concrete Removal		Cu. Yd.	8.3	
Reinforcement Bars, Epoxy Coated		Pound	960	

**NORTH ABUT.
JOINT REPLACEMENT DETAILS
ALEXANDER COUNTY
SN 002-0024**