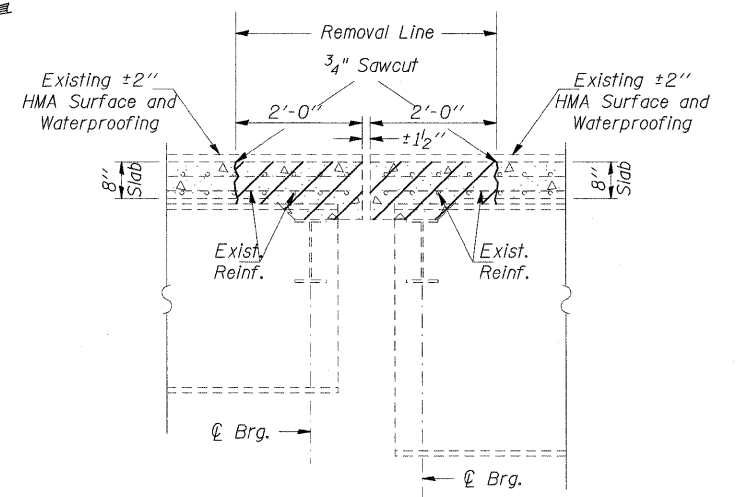
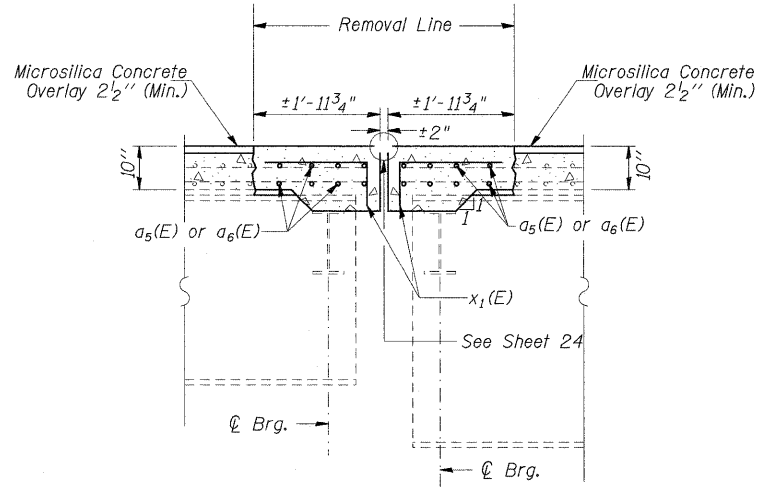


**PIER 16 PLAN  
SHOWING CONCRETE REMOVAL**

**PIER 16 PLAN  
SHOWING NEW CONCRETE**



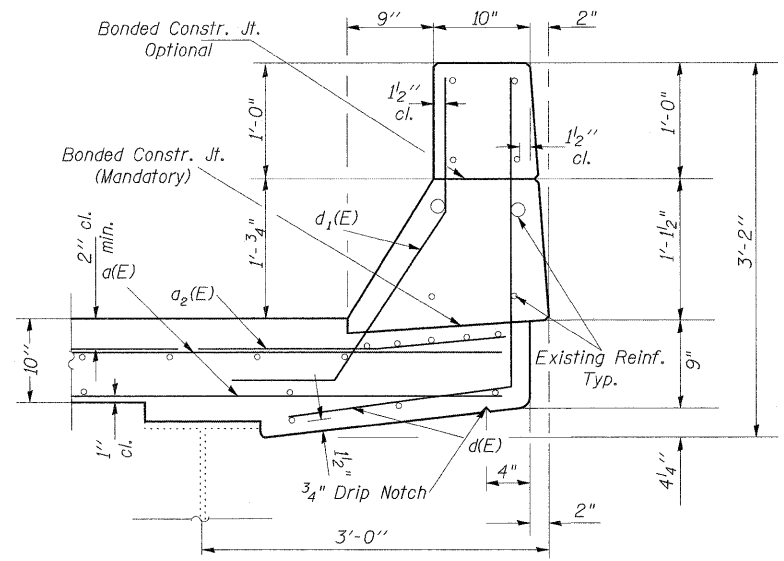
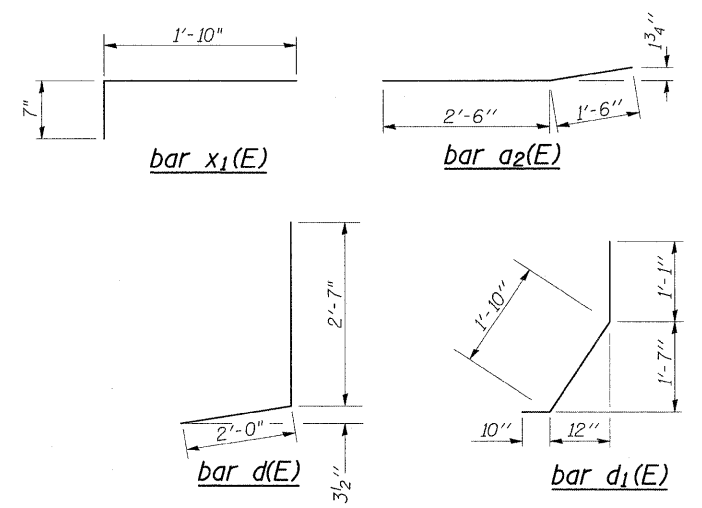
**SECTION F-F**  
Dimensions measured @ Right Angles



**SECTION G-G**  
Dimensions measured @ Right Angles



**Notes:**  
\* Bend Bars in Field to fit.  
Dimensions are based on a Rolled Rail Strip Seal Joint.  
If the Contractor elects to use the Welded Rail Strip Seal Joint, deck dimensions may require adjustments to satisfy the details on Base Sheet E-J-SSJ.



**SECTION THRU PARAPET**  
Deck Section

**BILL OF MATERIAL**

Bar No.	Size	Length	Shape
a2(E)	#6	4'-0"	—
a5(E)	#5	24'-0"	—
a6(E)	#5	19'-0"	—
d(E)	#4	4'-7"	┘
d1(E)	#5	3'-9"	┘
x1(E)	#5	2'-5"	┘
Concrete Superstructure			Cu. Yd. 8.4
Concrete Removal			Cu. Yd. 7.3
Reinforcement Bars, Epoxy Coated			Pound 990

**PIER 16  
JOINT REPLACEMENT DETAILS  
ALEXANDER COUNTY  
SN 002-0023**