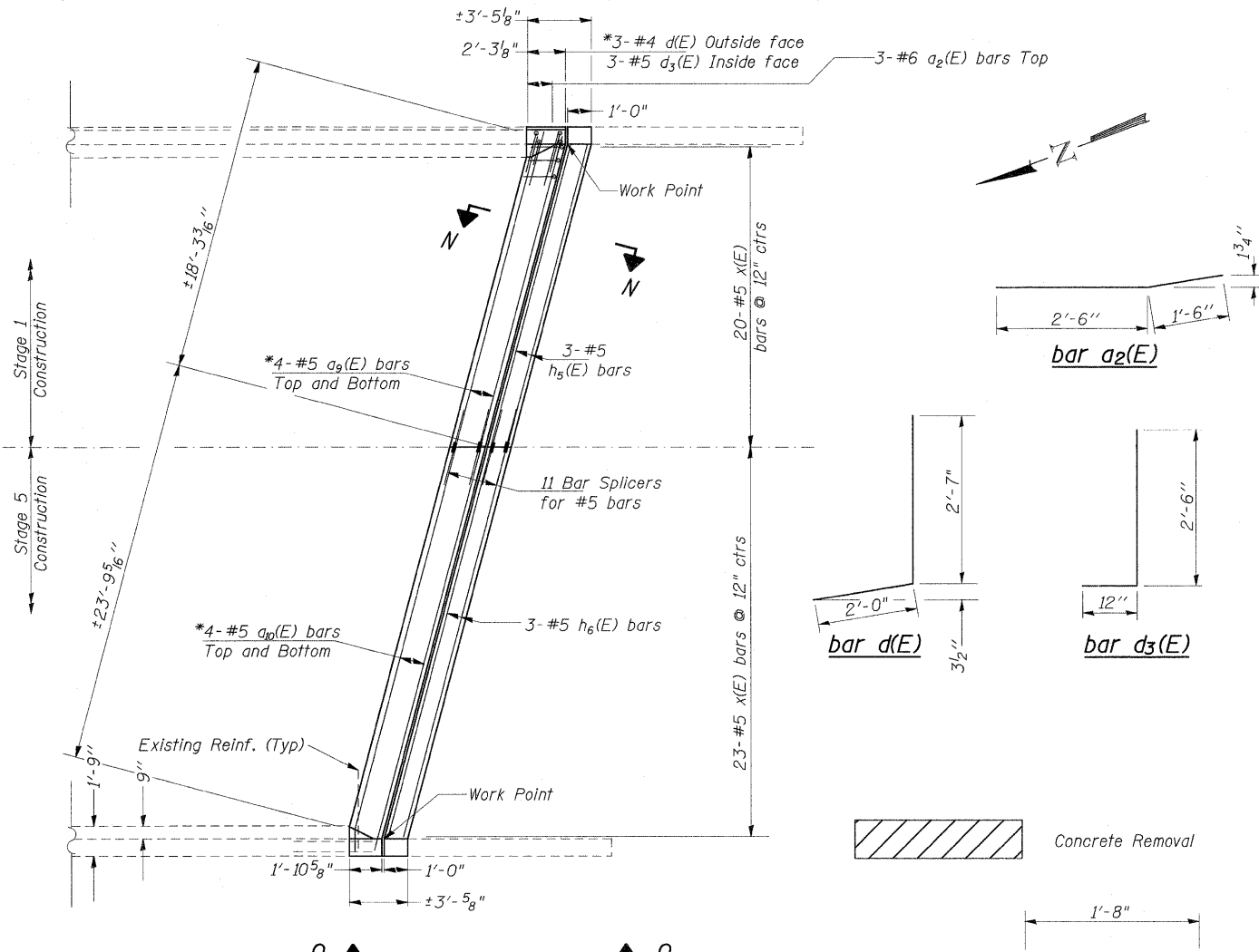
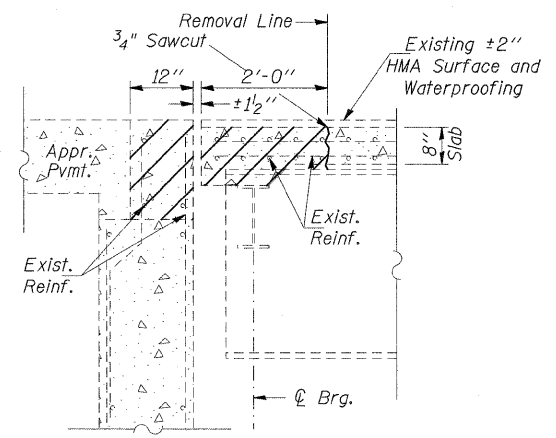


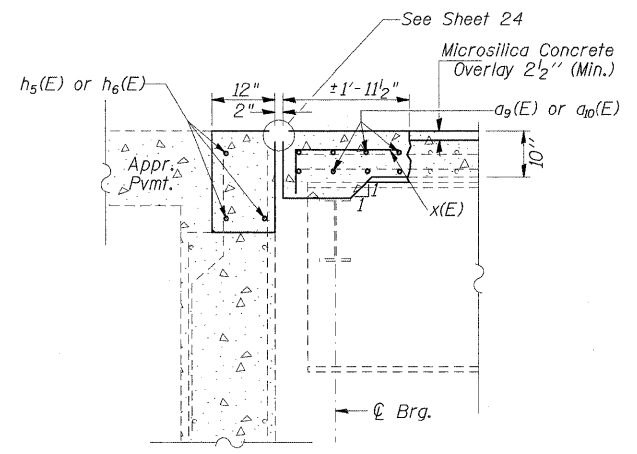
**SOUTH ABUT. PLAN  
SHOWING CONCRETE REMOVAL**



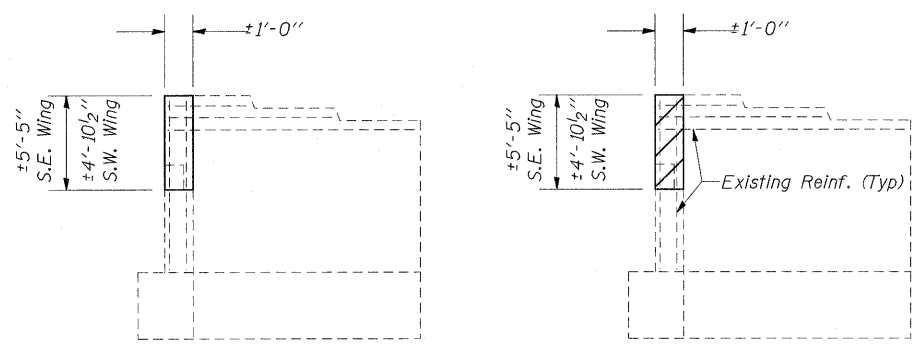
**SOUTH ABUT. PLAN  
SHOWING NEW CONCRETE**



**SECTION M-M**  
Dimensions measured @ Right Angles

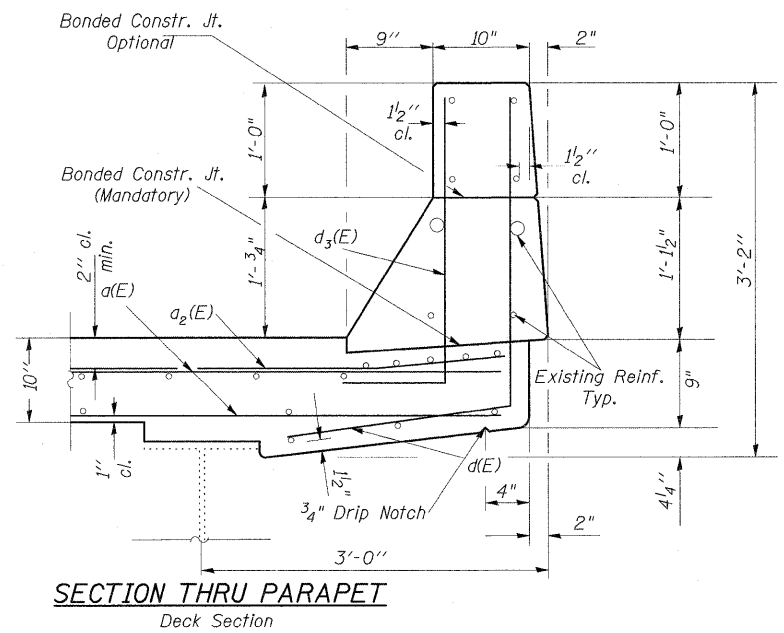


**SECTION N-N**  
Dimensions measured @ Right Angles



**VIEW O-O**  
Showing Concrete Removal

**VIEW Q-Q**  
Showing Concrete Superstructures



**SECTION THRU PARAPET**  
Deck Section

**BILL OF MATERIAL**

| Bar No.                          | Size    | Length | Shape |
|----------------------------------|---------|--------|-------|
| a2(E) 6                          | #6      | 4'-0"  | —     |
| a9(E) 8                          | #5      | 18'-6" | —     |
| a10(E) 8                         | #5      | 24'-0" | —     |
| d(E) 6                           | #4      | 4'-7"  | J     |
| d3(E) 6                          | #5      | 3'-6"  | J     |
| h5(E) 3                          | #5      | 18'-2" | —     |
| h6(E) 3                          | #5      | 23'-8" | —     |
| x(E) 43                          | #5      | 2'-3"  | —     |
| Concrete Superstructure          | Cu. Yd. | 7.4    |       |
| Concrete Removal                 | Cu. Yd. | 6.9    |       |
| Reinforcement Bars, Epoxy Coated | Pound   | 660    |       |

**Notes:**  
 \* Bend Bars in Field to fit.  
 Dimensions are based on a Rolled Rail Strip Seal Joint.  
 If the Contractor elects to use the Welded Rail Strip Seal Joint, deck dimensions may require adjustments to satisfy the details on Base Sheet E-J-SSJ.

**SOUTH ABUT.  
JOINT REPLACEMENT DETAILS  
ALEXANDER COUNTY  
SN 002-0024**