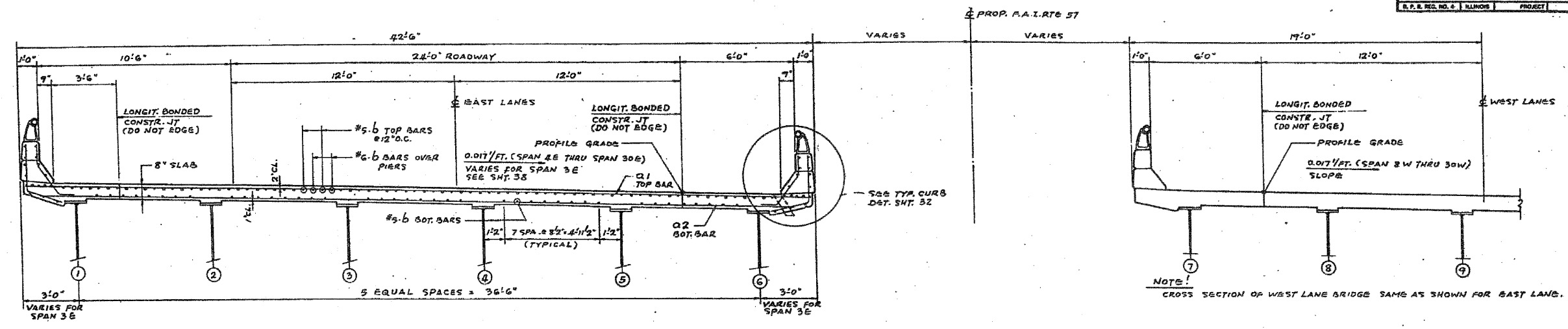
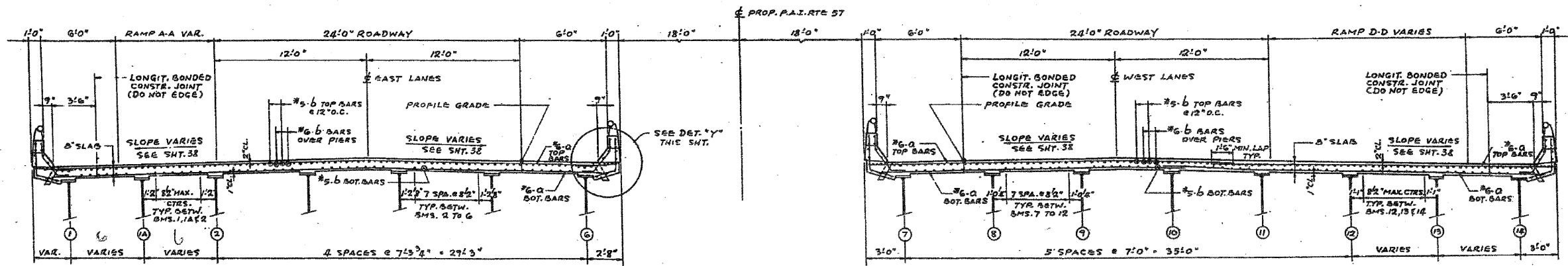


ROUTE NO.	SECTION	COUNTY	TOTAL SHEETS	SHEET NO.
FAI 57 02-IVB	ALEXANDER	156	31	
STA.	TO STA.			
ILLINOIS	PROJECT			



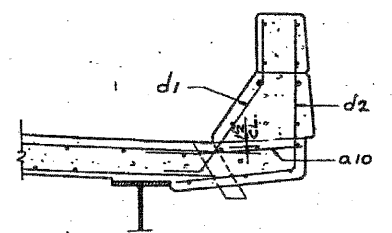
CROSS-SECTION - SPANS 3E THRU 30E & SPANS 8W THRU SPAN 30W
(LOOKING SOUTH)
SCALE: 3/8" = 1'-0"

NOTE!
HORIZONTAL BONDED CONSTRUCTION JOINTS IN CURB SHALL BE IN ACCORDANCE WITH ARTICLE 504.13 (b) (1, 2 OR 3) OF THE STANDARD SPECIFICATIONS.



CROSS-SECTION - SPAN 1E SHOWN
SPAN 2E SIMILAR (SEE FRAMING PLAN)
SCALE: 3/8" = 1'-0"

CROSS-SECTION - SPANS 1W, 2W & 3W
SCALE: 3/8" = 1'-0"



Note!
DIMENSIONS AND DETAILS NOT SHOWN SAME AS TYP. CURB DETAIL.

CURB DETAIL "Y"
SCALE: 3/8" = 1'-0"

DECK DETAILS
F.A.I. RTE. 57 OVER S.B.I. RTE. 150,
EXIST. RTE. 3, G.M.E.O.R.R., LEVEE & M.P.R.R.
PROJECT IG-57-1 (91) I
F.A.I. RTE. 57 SECTION 02-IVB
ALEXANDER COUNTY
STA. 1089+73.00 TO STA. 1119+69.00

ALFRED BENESCH & COMPANY
CONSULTING ENGINEERS
101 S. WALSH AVE. CHICAGO, ILLINOIS

FILE NAME =	USER NAME = halsteadw	DESIGNED -	REVISED -	STATE OF ILLINOIS DEPARTMENT OF TRANSPORTATION	ORIGINAL PLANS INFORMATION ONLY	F.A.I. RTE.	SECTION	COUNTY	TOTAL SHEETS	SHEET NO.	
cd:\pwork\pwork\DOT\HALSTEADT\0113592\02-0023-sht-stage.dgn	PLOT SCALE = 100.0000' / IN.	DRAWN -	REVISED -			57	D9 SMART FY09-2	ALEXANDER	45	44	
PLOT DATE = 4/2/2009	DATE -	CHECKED -	REVISED -			CONTRACT NO. 78111					
		DATE -	REVISED -			ILLINOIS FED. AID PROJECT					