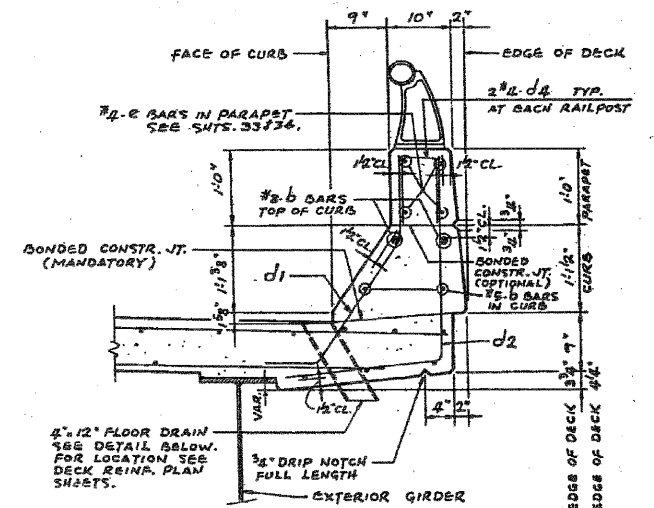
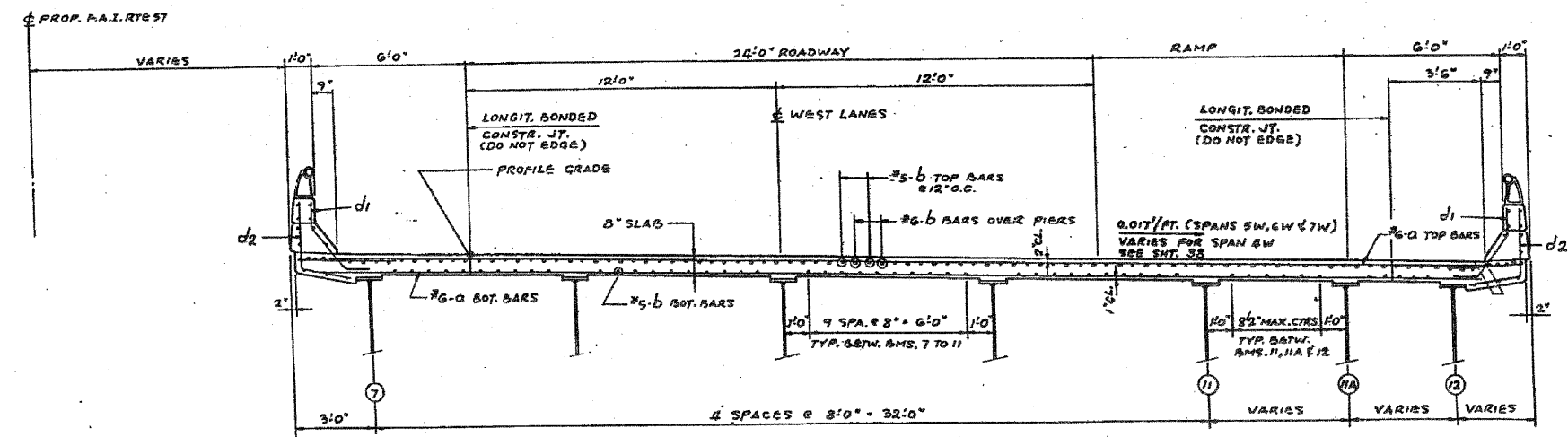
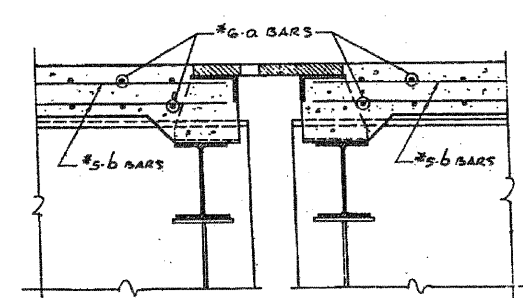


ROUTE NO.	SECTION	COUNTY	TOTAL SHEETS	SHEET NO.
FAI 57	02-IVB	ALEXANDER	156	32
STA.	TO STA.			
S.P.R. NO. 4		ILLINOIS	PROJECT	

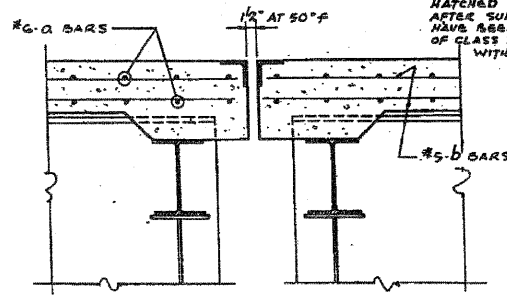


NOTE!
HORIZONTAL BONDED CONSTRUCTION JOINTS IN CURB SHALL BE IN ACCORDANCE WITH ARTICLE 504.13 (b) (1, 2 OR 3) OF THE STANDARD SPECIFICATIONS.

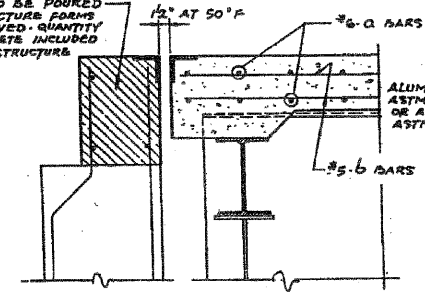
DECK SECTION B-B - SPANS 4W & 5W
SPAN 6W & 7W SIMILAR - SEE FRAMING PLAN SHT. 57
SCALE: 3/8"=1'-0"



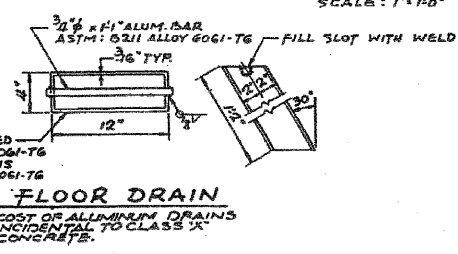
SECTION 'C-C'
SCALE: 1"=1'-0"



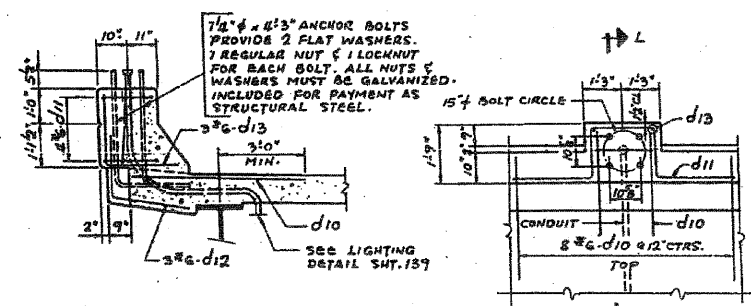
SECTION 'D-D'
SCALE: 1"=1'-0"



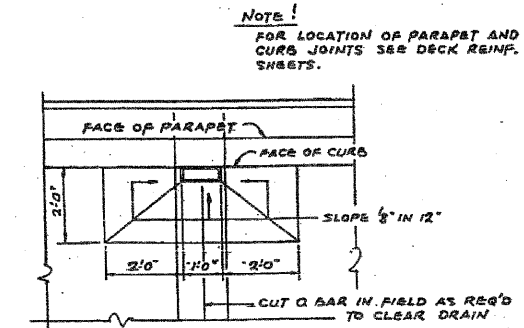
SECTION 'E-E'
SCALE: 1"=1'-0"



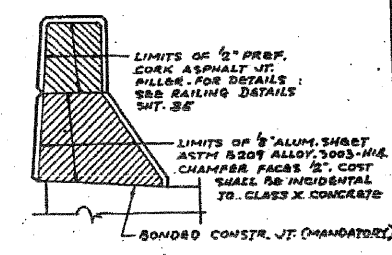
FLOOR DRAIN
COST OF ALUMINUM DRAINS INCIDENTAL TO CLASS 'X' CONCRETE.



SECTION 'L-L'
TYP. DETAILS AT LIGHT STANDARD
SCALE: 1/2"=1'-0"



TYP. DETAIL AT DRAIN
SCALE: 1/2"=1'-0"



LIMITS OF 2" JT. FILLER & 1/2" ALUM. SHEET AT CURBS

ALFRED BENECH & COMPANY
CONSULTING ENGINEERS
111 W. WASHINGTON AVE.
CHICAGO, ILLINOIS

DECK DETAILS
F.A.I. RTE. 57 OVER S.B.I. RTE. 150,
EXIST. RTE. 3, G.M.E.O.R.R., LEVEE IMP.R.R.,
PROJECT 10-57-1 (91) I
F.A.I. RTE. 57 SECTION 02-IVB
ALEXANDER COUNTY
STA. 1089+73.00 TO STA. 1119+69.00

FILE NAME =	USER NAME = halsteadw	DESIGNED -	REVISED -	STATE OF ILLINOIS DEPARTMENT OF TRANSPORTATION	ORIGINAL PLANS INFORMATION ONLY				F.A.I. RTE.	SECTION	COUNTY	TOTAL SHEETS	SHEET NO.
c:\pwwork\pwwork\HALSTEADW\d0113592\02-0023-sht-stage.dgn		DRAWN -	REVISED -		57	D9 SMART FY09-2	ALEXANDER	45	45				
PLOT SCALE = 102.0000 / IN.		CHECKED -	REVISED -		SCALE: 1"=100'				SHEET NO. OF SHEETS STA. TO STA.		CONTRACT NO. 78111		
PLOT DATE = 4/2/2009		DATE -	REVISED -						ILLINOIS FED. AID PROJECT				