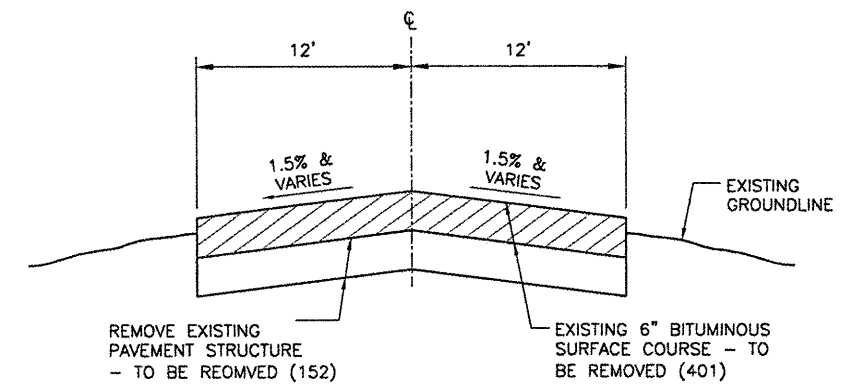


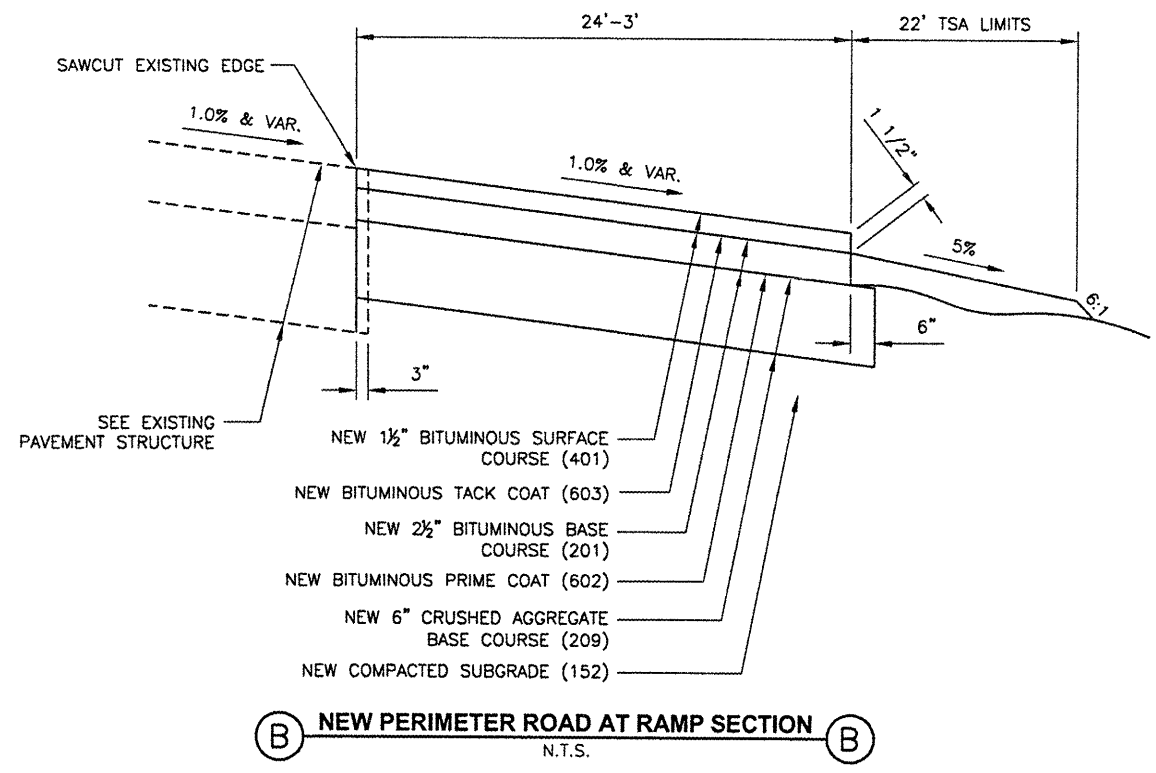
**(A) NEW PERIMETER ROAD (A)**  
 N.T.S.

**PERIMETER ROAD NOTES**

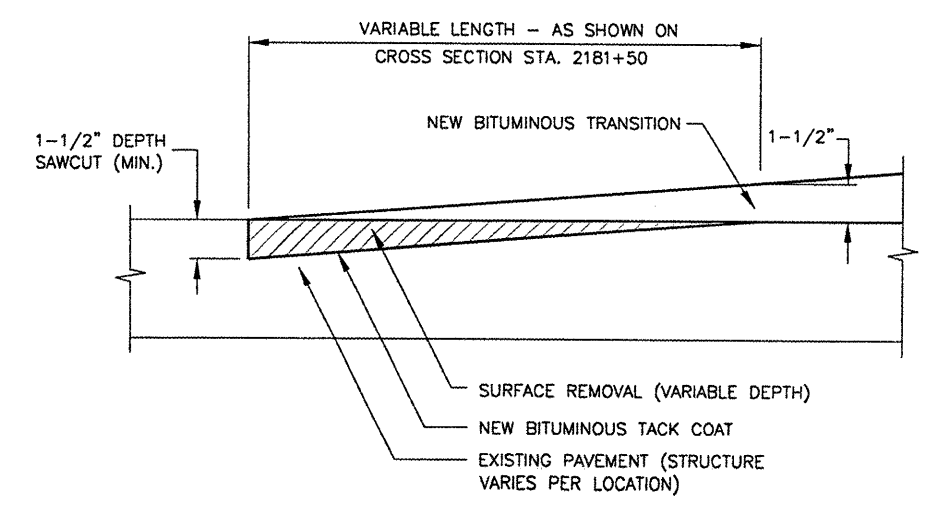
1. NEW PERIMETER ROAD INCLUDES CROWNED AND SINGLE SLOPED PAVEMENTS.
2. SEE PERIMETER ROAD CROSS SECTIONS FOR DETAILS.



**(C) NE PERIMETER ROAD PAVEMENT REMOVAL (C)**  
 N.T.S.



**(B) NEW PERIMETER ROAD AT RAMP SECTION (B)**  
 N.T.S.

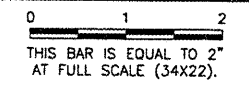


**(D) BUTT JOINT DETAIL (D)**  
 N.T.S.

**TYPICAL SECTION NOTE**  
 SEE "PROPOSED IMPROVEMENTS" SHEET FOR SECTION LOCATIONS.

**CA006**

REVISIONS		
NUMBER	BY	DATE



**SPRINGFIELD AIRPORT AUTHORITY**  
**ABRAHAM LINCOLN CAPITAL AIRPORT**  
**SPRINGFIELD, IL**

**TXV G WIDENING-PHASE 1 REALIGN NORTH PERIMETER ROAD**  
**TYPICAL SECTIONS**

© Copyright CMT, Inc.  
**CMT**  
 CRAWFORD, MURPHY & TULLY, INC.  
 CONSULTING ENGINEERS  
 License No. 184-000513

DESIGN BY:	CBC
DRAWN BY:	DPA/JLR
CHECKED BY:	CBC
APPROVED BY:	JRV
DATE:	APRIL 25, 2008
JOB No:	07035-09-00
IL PROJ. NO.	SPI-3789
AIP PROJ. NO.	3-17-0096-XX
SHEET	07 OF 22 SHEETS