

LEGEND

- SS — EXISTING STORM SEWER
- SS — NEW STORM SEWER
- EIN — EXISTING INLET
- IN — NEW INLET
- — EXISTING MANHOLE
- — PROPOSED CONTOURS
- E — EXISTING POWER CABLE

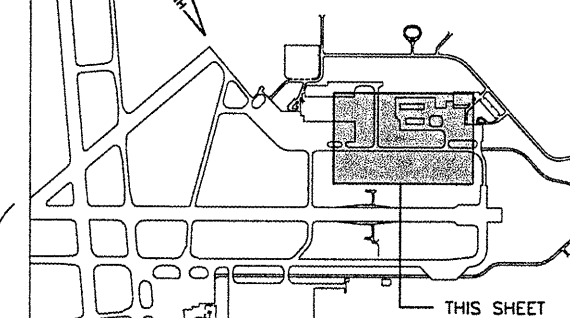
STORM SEWER STRUCTURE SCHEDULE

STRUCTURE	STATION	OFFSET	NORTHING	EASTING	RIM	INVERT	UPSTREAM PIPE	DOWNSTREAM PIPE
IN-1	2180+50	22' LT.	1160364.21	2435052.10	590.74'	586.24'	----	LINE 1
IN-2	2183+00	22' LT.	1160551.96	2435217.18	593.18'	589.58'	----	LINE 2
EIN-1	80+38.74	104' RT.	1160272.77	2435139.06	589.37'	584.97'	LINE 1	LINE 3
EIN-2	83+16.45	104' RT.	1160481.37	2435322.37	592.90'	588.31'	LINE 2	LINE 4

STORM SEWER PIPE SCHEDULE

LINE	UPSTREAM STRUCTURE	DOWNSTREAM STRUCTURE	SIZE	UPSTREAM INVERT	DOWNSTREAM INVERT	LENGTH	SLOPE
1	IN-1	EIN-1	12"	586.24'	584.57'	126'	1.0%
2	IN-2	EIN-2	12"	589.58'	588.31'	126'	1.0%

KEYMAP

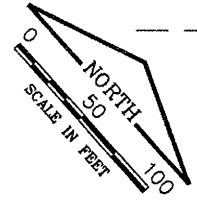
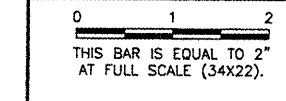


K:\Springfield\0703509\Draw\EGPT\Plot
 FILE: RCp01003.dwg
 UPDATE BY: Dove Allen
 PLOT DATE: 4/18/2008 10:59 AM
 rcprf003
 surveytopo
 BASE_EXISTGEO
 BASE_PROPGEO
 BASE_PROPDRAIN
 ContourTxyG
 KEY

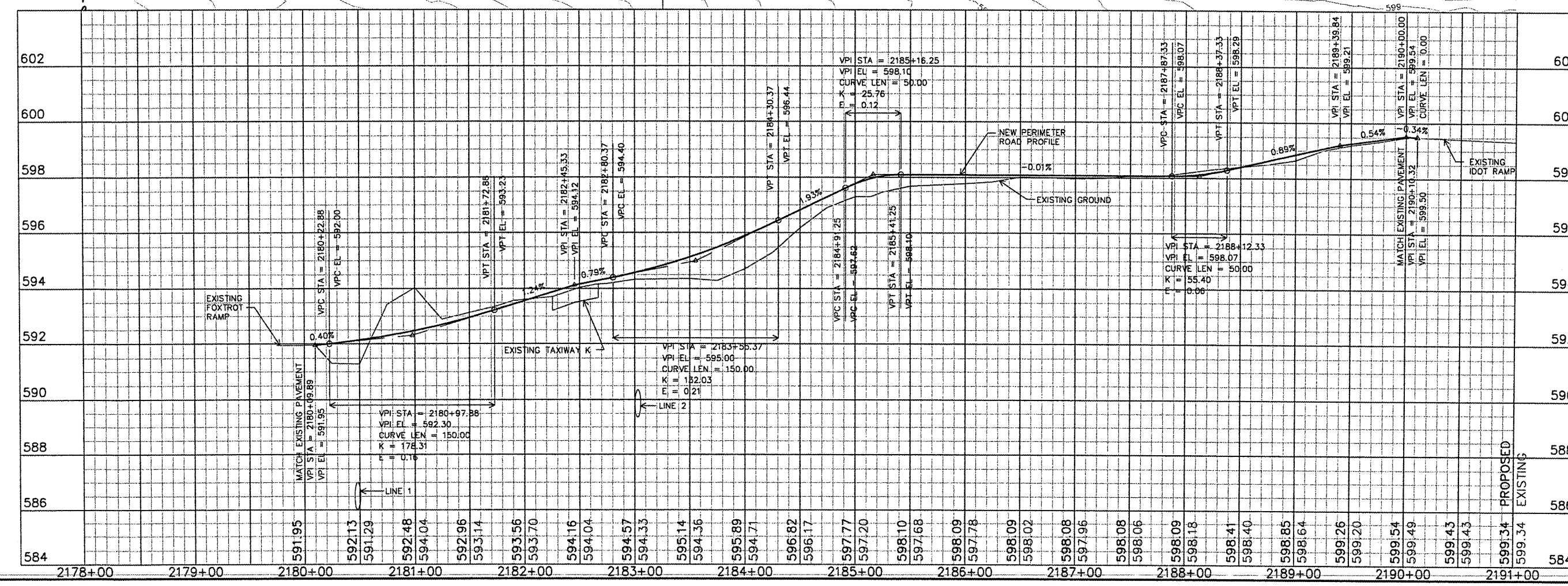
CA006

REVISIONS

NUMBER	BY	DATE



SCALES:
 1" = 50' HOR
 1" = 2' VER



SPRINGFIELD AIRPORT AUTHORITY
 ABRAHAM LINCOLN CAPITAL AIRPORT
 SPRINGFIELD, IL
 TXY G WIDENING-PHASE 1 REALIGN NORTH PERIMETER ROAD
 PERIMETER ROAD
 PLAN AND PROFILE SHEET 1

© Copyright CMT, Inc.
CMT
 CRAWFORD, MURPHY & TILLY, INC.
 CONSULTING ENGINEERS
 License No. 184-000613

DESIGN BY: CBG
 DRAWN BY: DPA/JLR
 CHECKED BY: *CBG*
 APPROVED BY: *RW*
 DATE: APRIL 25, 2008
 JOB No: 07035-09-00
 IL PROJ. NO. SPI-3789
 AIP PROJ. NO. 3-17-0096-XX
 SHEET 08 OF 22 SHEETS