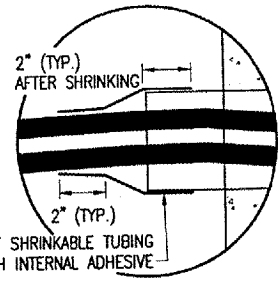


THE LOCATION OF UNDERGROUND UTILITIES AS INDICATED ON THE PLANS HAS BEEN OBTAINED FROM EXISTING RECORDS. NEITHER THE OWNER NOR THE ENGINEER ASSUMES ANY RESPONSIBILITY WHATSOEVER, IN RESPECT TO THE ACCURACY OR SUFFICIENCY OF THE INFORMATION AND THERE IS NO GUARANTEE, EITHER EXPRESSED OR IMPLIED, THAT THE CONDITIONS ARE REPRESENTATIVE OF THOSE TO BE ENCOUNTERED IN THE CONSTRUCTION.

L-858 SIGN

NOTES:
SEE LIGHTING LAYOUT SHEET(S) FOR SIGN LEGEND, LOCATION, TYPE, SIZE, STYLE, AND CLASS.

NUMBER AND SPACING OF LEGS AS PER MANUFACTURER'S REQUIREMENTS.



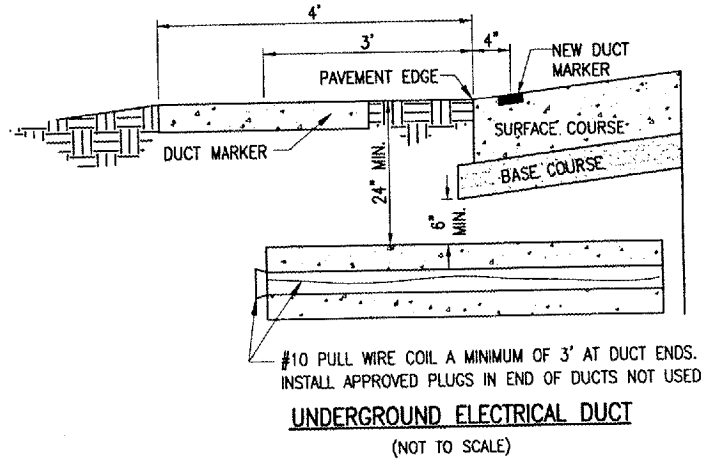
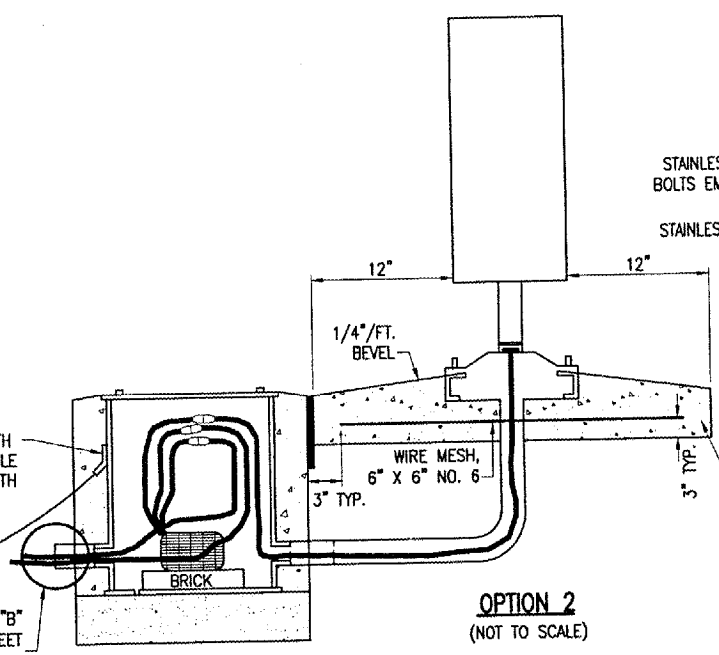
DETAIL "B"
(NOT TO SCALE)

EXTERNAL GROUND LUG WITH BOLTED CONNECTOR SUITABLE FOR DIRECT BURIAL IN EARTH OR CONCRETE

#6 AWG CU

UL LISTED COPPERCLAD GROUND ROD 5/8" DIA. x 8'L (MIN.)

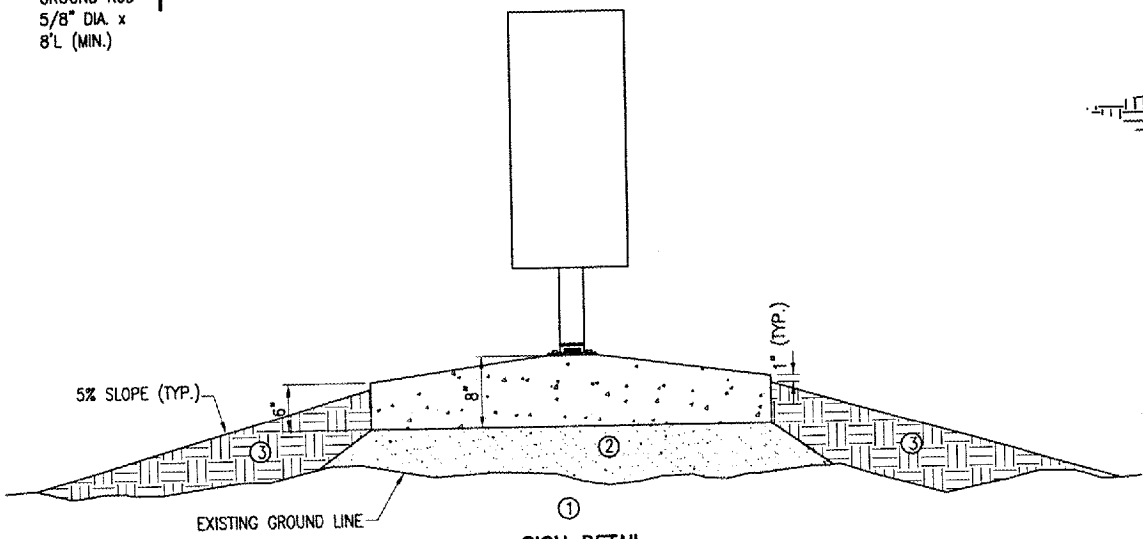
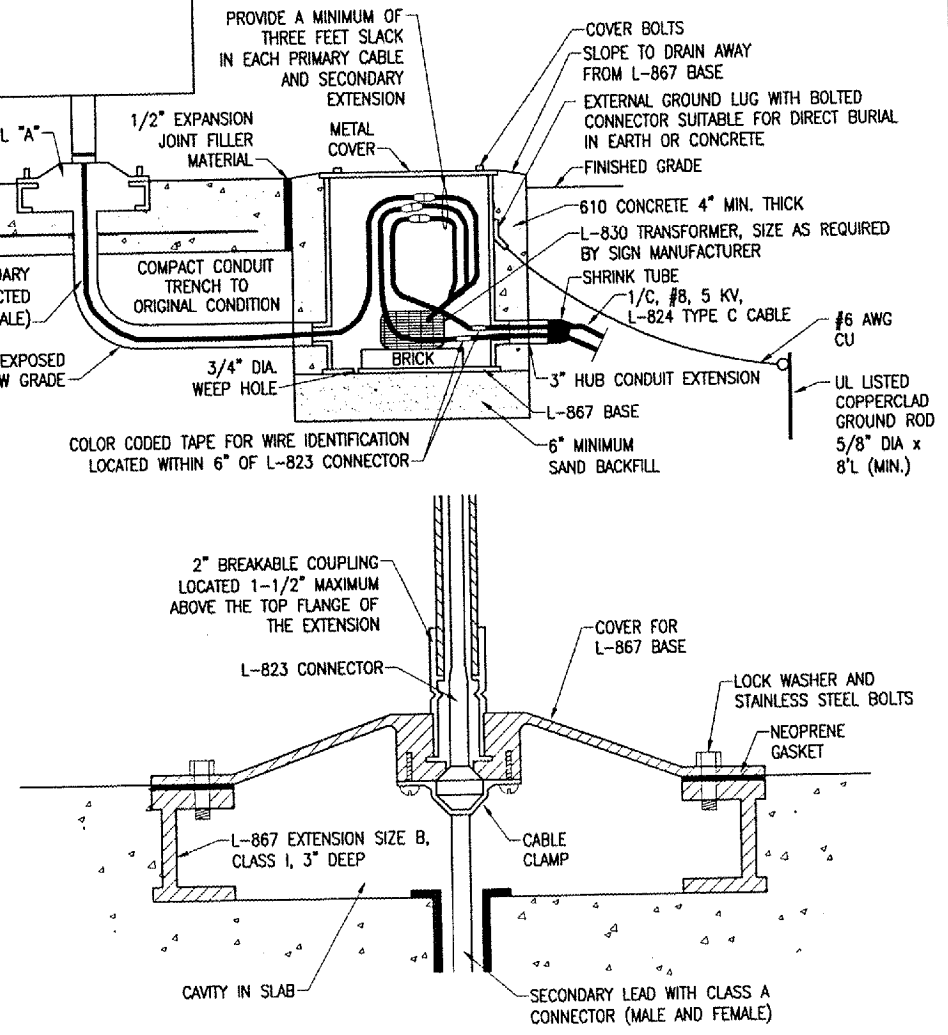
SEE DETAIL "B" ON THIS SHEET



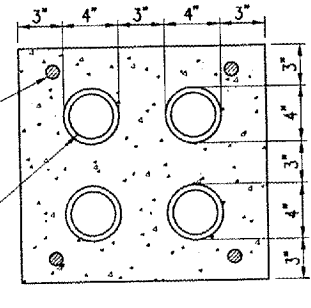
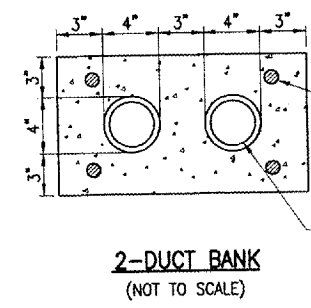
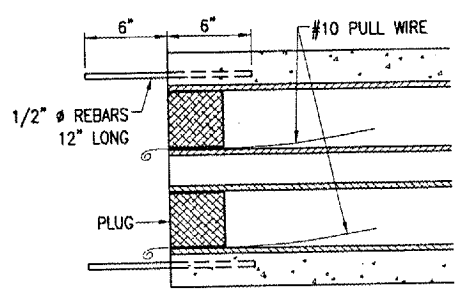
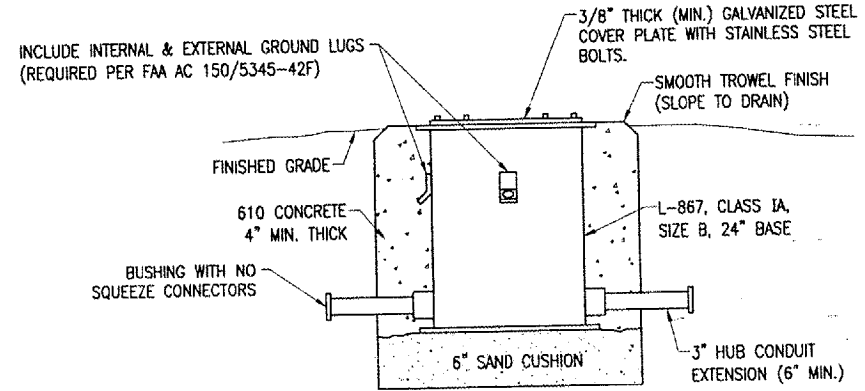
GENERAL NOTES

SEE LIGHTING LAYOUT SHEET FOR SIGN LEGEND, LOCATION, TYPE, SIZE, STYLE, AND CLASS.

SEE SHEETS 26 THROUGH 27 FOR ELECTRICAL NOTES.



- ① EXISTING SOD TO BE STRIPPED AND REMOVED
- ② SAND BACKFILL, VARIABLE DEPTH
- ③ PROPOSED TOPSOIL BACKFILL MATERIAL



REVISION	DATE

CARMi MUNICIPAL AIRPORT
CARMi, ILLINOIS

IL PROJ.: CUL-3683

A.I.P. PROJ.: 3-17-0109-B7

PROJECT No.	DATE	LAYOUT	SEP
801-071XVD 0800	11/16/06	CCC	11/16/06
Drawn	CAH	REVIEWED	D3/27/07

HANSON

Hanson Professional Services Inc.
1525 South Sixth Street
Springfield, Illinois 62703-2886
Offices Nationwide

EXTEND PARTIAL
PARALLEL TAXIWAY

ELECTRICAL DETAILS