

DATE	REVISION	BY



DECATUR, ILLINOIS

ILL. PROJ.: DEC-3799 A.I.P. PROJ.: 3-17-0033-XX

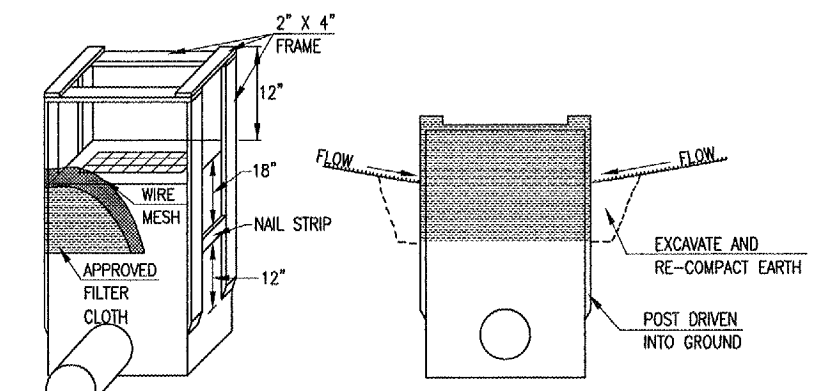
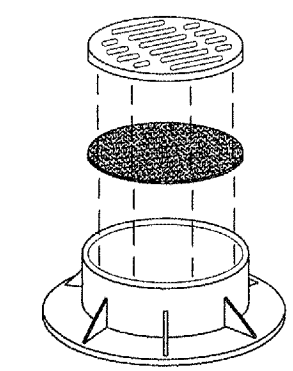
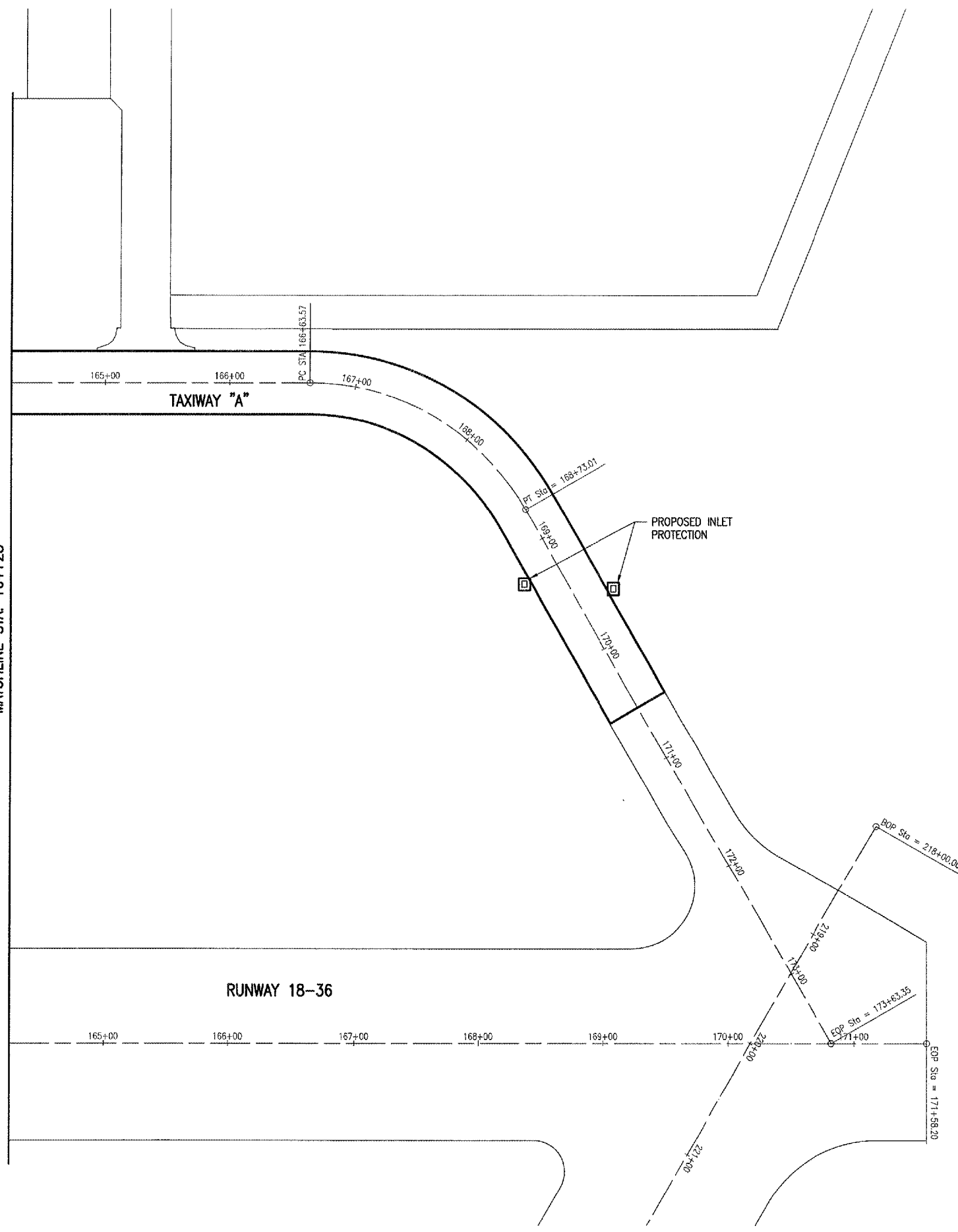
Ill. Project No. 07A0169D_0802	04/15/08
Filename R-131SWPPP.DWG	04/15/08
Scale 1"=50'	04/17/08
Date 04/18/08	04/17/08
LAYOUT	MLH
DRAWN	MLH
REVIEWED	JDW

Hanson Professional Services Inc.
1626 South Sixth Street
Springfield, Illinois 62703-2886
Chicago, Illinois

RECONSTRUCT TAXIWAY "A" AND ADJACENT GA APRON
PROPOSED STORMWATER POLLUTION PREVENTION PLAN
STA. 164+25 TO STA. 170+54

APR 17, 2008 4:50 PM HARRO1115 I:\AIRPORTS\DECATUR\07A0169\CADD\AIRPORT\ SHEET\R-131SWPPP.DWG - 164+25 TO 170+54

MATCHLINE STA. 164+25



NOTES

1. FILTER WRAP TO BE PLACED IN ALL PROPOSED AND EXISTING INLETS LOCATED IN PAVED AREAS.
2. FABRIC SHALL BE IN CONFORMANCE WITH MATERIALS SPECIFIED FOR EROSION CONTROL FENCING.
3. FABRIC SHALL OVERLAY FRAME BY 2" MIN.
4. THE CONTRACTOR SHALL CLEAR DEBRIS AND SILT AS REQUIRED FROM FABRIC TO MAINTAIN DRAINAGE THROUGH THE STRUCTURE.
5. FABRIC SHALL REMAIN IN PLACE UNTIL TURFED AREAS HAVE DEVELOPED A MIN. OF 80% COVERAGE.
6. INLET PROTECTION WILL NOT BE PAID FOR SEPARATELY BUT SHALL BE CONSIDERED INCIDENTAL TO THE CONTRACT AND NO ADDITIONAL COMPENSATION ALLOWED.

LEGEND

- EXISTING PAVEMENT
- PROPOSED BITUMINOUS PAVEMENT
- EXISTING STORM SEWER
- PROPOSED INLET PROTECTION
- EXISTING INLET



0' 25' 50' 100'
FULL SIZE SCALE: 1"= 50'
HALF SIZE SCALE: 1"= 100'