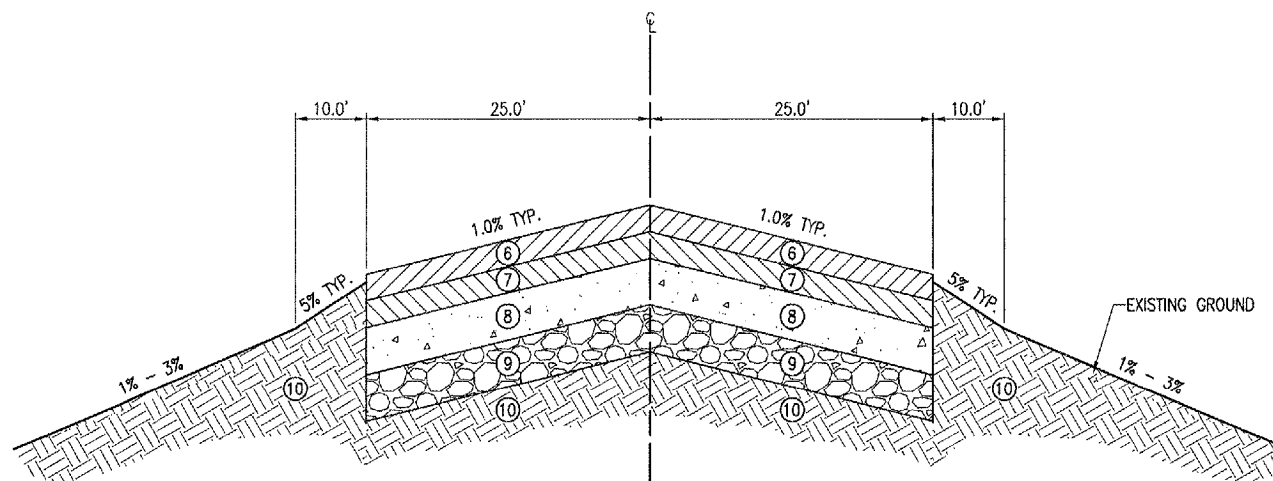


EXISTING TAXIWAY PAVEMENT - TYPICAL SECTION "A-A"

"NOT TO SCALE"

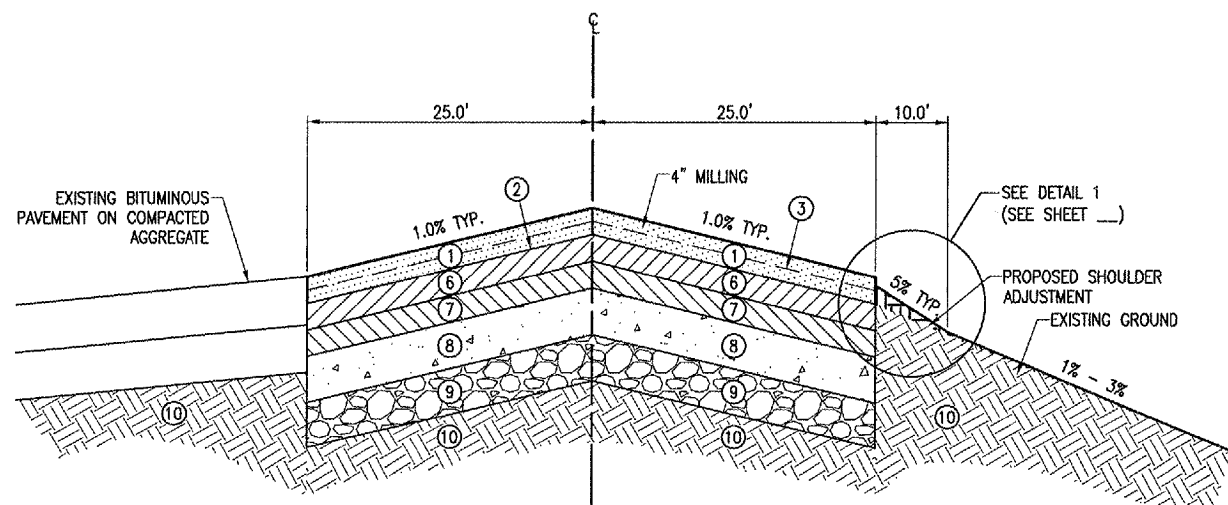
TAXIWAY "A" STA. 150+95 TO APPROX. STA. 155+50



EXISTING TAXIWAY PAVEMENT - TYPICAL SECTION "B-B"

"NOT TO SCALE"

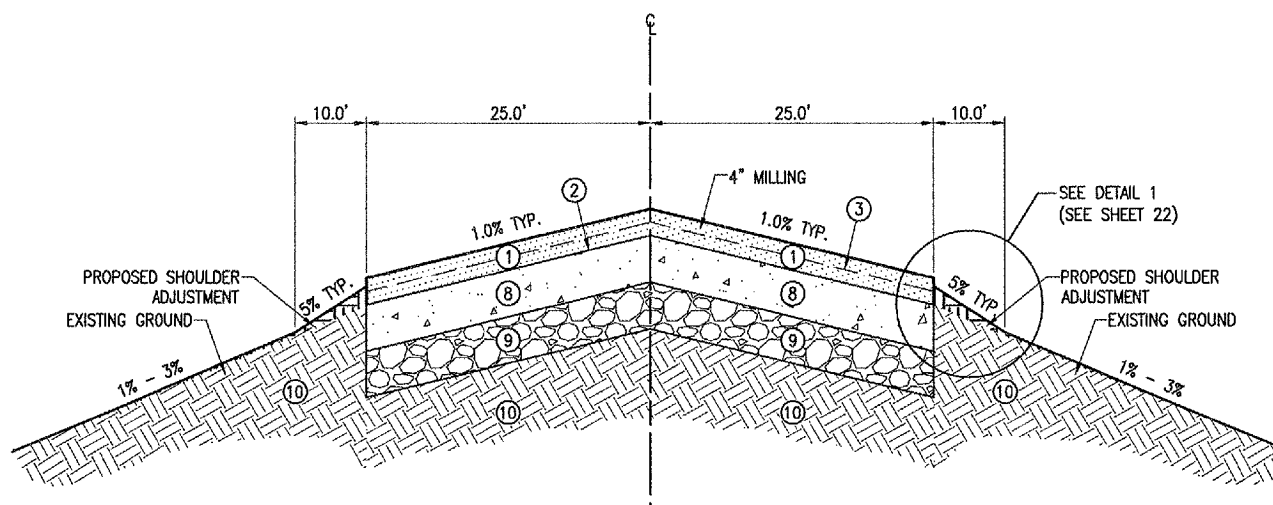
TAXIWAY "A" APPROX. STA. 155+50 TO STA. 170+54



PROPOSED TAXIWAY PAVEMENT - TYPICAL SECTION "A-A"

"NOT TO SCALE"

TAXIWAY "A" STA. 150+95 TO APPROX. STA. 155+50



PROPOSED TAXIWAY PAVEMENT - TYPICAL SECTION "B-B"

"NOT TO SCALE"

TAXIWAY "A" APPROX. STA. 155+50 TO STA. 170+54

LEGEND FOR TYPICAL SECTIONS - "A-A" & "B-B"

- ① PROPOSED AR401: BITUMINOUS SURFACE COURSE - 1.5"
- ② PROPOSED AR603: BITUMINOUS TACK COAT (RATE PER SPECIFICATION)
- ③ PROPOSED AR603: BITUMINOUS TACK COAT (RATE PER SPECIFICATION)
- ④ EXISTING AR401: BITUMINOUS SURFACE COURSE - 3"
- ⑤ EXISTING AR402: POUROUS FRICTION COURSE - 1"
- ⑥ EXISTING AR401: BITUMINOUS SURFACE COURSE - 2"
- ⑦ EXISTING AR201: BITUMINOUS BASE COURSE - 2"-3" VARIABLE DEPTH
- ⑧ EXISTING AR501: PCC PAVEMENT - 9"
- ⑨ EXISTING AR154: GRANULAR BLANKET COURSE - 7"
- ⑩ EXISTING GROUND

BITUMINOUS MILLING [diagonal hatching] - VARIABLE 3" TO 5"

NOTE:

THE CONTRACTOR WILL REGRADE, SEED AND FERTILIZE THE DISTURBED EARTH SHOULDER. THE GRADING SHALL SHAPE THE EARTH SHOULDER TO CONFORM TO THE EARTH SHOULDER DETAIL. FERTILIZING AND SEEDING SHALL BE ACCOMPLISHED IN ACCORDANCE TO SPECIFICATION ITEM AR901510.
NO ADDITIONAL PAYMENT FOR THE SEEDING ITEM WILL BE MADE TO THE CONTRACTOR. PAYMENT FOR THE WORK SHALL BE INCLUDED IN THE BID AMOUNT PER SQUARE YARD FOR THE SHOULDER ADJUSTMENT.
ANY TURF AREAS DISTURBED BY THE CONTRACTOR WILL BE RESHAPED, FERTILIZED AND SEEDING ACCORDING TO THE ABOVE PARAGRAPH.

APR 17, 2008 4:56 PM HARRID1115 \\AIRPORTS\DECATUR\07A0169\CADD\AIRPORT\SHEET\R-521TYP.DWG - Typ. Sections - Typ. A

BY	
REVISION	
DATE	

DECATUR, ILLINOIS
A.I.P. PROJ.: 3-17-0033-XX
IL PROJ.: DEC-3799

HEL Project No.	07A0169D_0802
Element	R-521TYP.DWG
Scale	N/A
Date	04/18/08
LAYOUT	ESC 04/15/08
DRAWN	ESC 04/15/08
REVIEWED	JDW 04/17/08

HANSON Professional Services Inc.
1026 South Main Street
Springfield, IL 62703-2886
Offices Nationwide

RECONSTRUCT TAXIWAY "A" AND ADJACENT GA APRON
TAXIWAY "A" EXISTING & PROPOSED TYPICAL SECTIONS