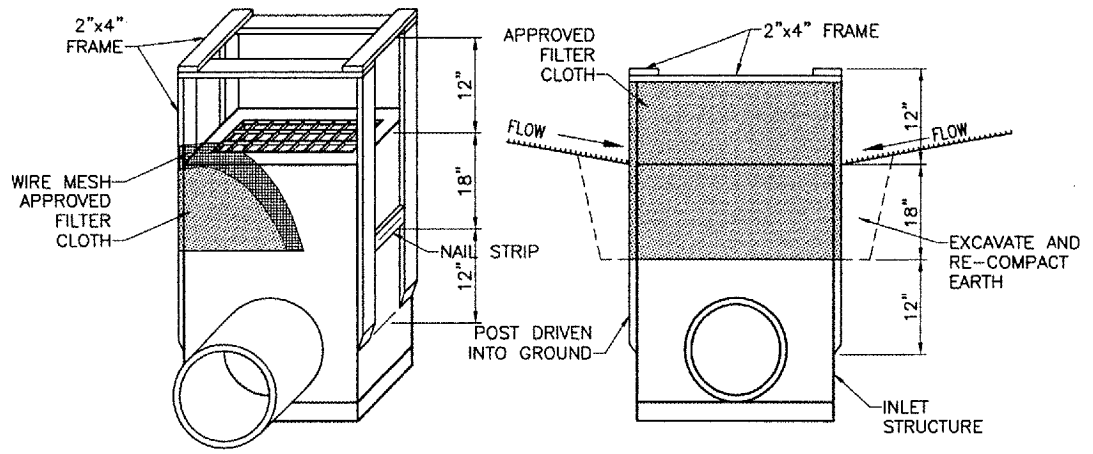


HEADWALL STRUCTURE PROTECTION
"NOT TO SCALE"

NOTE:
FOR ESTIMATING PURPOSES, EACH HEADWALL PROTECTION WILL REQUIRE 6-8 STRAW BALES AND 20 L.F. OF SILT FENCE.

LEGEND

- EXISTING IMPROVEMENTS
- PROPOSED IMPROVEMENTS
- PROPOSED WASTE AREA
- EXISTING DRAINAGE PIPE
- PROPOSED SILT FENCE
- EXISTING INLET
- PROPOSED INLET PROTECTION
- EXISTING HEADWALL
- PROPOSED HEADWALL PROTECTION



INLET PROTECTION DETAIL
"NOT TO SCALE"

EROSION CONTROL NOTES

ALL PROPOSED EROSION CONTROL MEASURES SHALL BE COMPLETED AS DETAILED ON THIS EROSION CONTROL PLAN AND IN ACCORDANCE WITH THE SPECIFICATIONS.

EROSION CONTROL MEASURES ARE GOVERNED BY THE ILLINOIS ENVIRONMENTAL PROTECTION AGENCY'S STANDARDS AND SPECIFICATIONS FOR SOIL EROSIONS AND SPECIFICATION FOR SOIL EROSIONS AND SEDIMENT CONTROL.

FILTER FENCE FOR STRUCTURE PROTECTION AS SHOWN ON THIS SHEET.

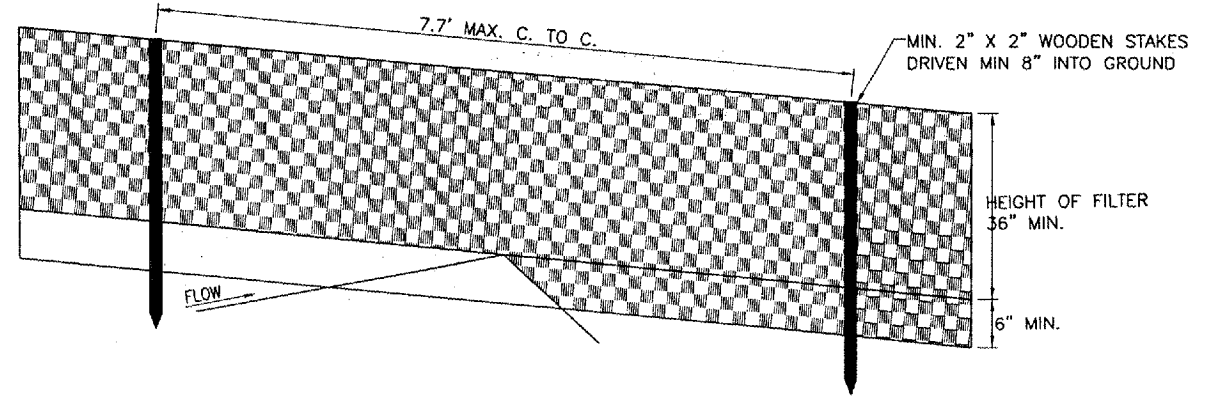
THE PROPOSED INLET PROTECTION WILL BE PLACED AT THE LOCATIONS SHOWN ON THIS SHEET.

INSPECTION OF THE INLET PROTECTION SHALL BE FREQUENT AND REPAIR/REPLACEMENT SHALL BE MADE PROMPTLY AS NEEDED.

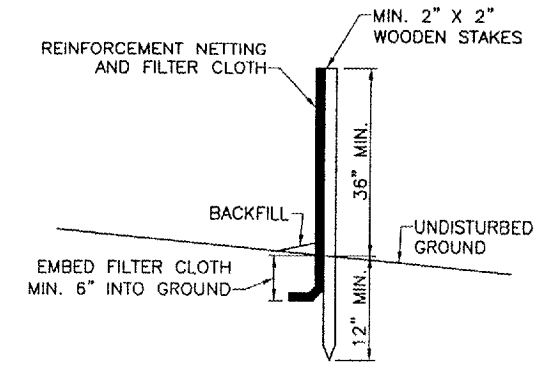
EROSION CONTROL FENCE SHALL BE REMOVED WHEN THEY HAVE SERVED THEIR USEFULNESS SO AS NOT TO BLOCK OR IMPEDE STORM WATER DRAINAGE.

COST OF REMOVAL AND REPLACEMENT SHALL BE INCLUDED IN THE UNIT PRICE FOR ITEM AR156510 SILT FENCE.

INLET PROTECTION IS TO INCLUDE ALL INCIDENTALS NECESSARY TO CONSTRUCT THESE ITEMS AND WILL BE PAID FOR UNDER ITEM: AR156520 INLET PROTECTION.

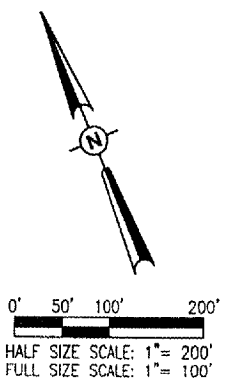


PERSPECTIVE VIEW



SECTION

FILTER FENCE DETAIL
"NOT TO SCALE"



DATE	REVISION	BY

**EFFINGHAM COUNTY
MEMORIAL AIRPORT
EFFINGHAM, ILLINOIS**

IL PROJ.: 1H2-3761 A.I.P. PROJ.: 3-17-0040-B11

Project No. 07A0143D.0800	File Name R-181SWP.DWG	Scale 1" = 100'	Date 02/12/08
LAYOUT	KDM	11/28/07	
DRAWN	BAK	11/28/07	
REVIEWED	CAH	02/12/08	

HANSON
Hanson Professional Services Inc.
1525 South Sixth Street
Springfield, Illinois 62703-2886
Offices Nationwide

**WIDEN RUNWAY 11/29
AND REPLACE MRL'S**
PROPOSED STORMWATER
POLLUTION PREVENTION PLAN
STA. 122+00 TO STA. 109+00