

**UNDERDRAIN NOTES:**

THE EXISTING PVC PIPE LOCATED AT STA. 154+00 CURRENTLY DRAINS UNDER THE EXISTING RUNWAY AND EVENTUALLY INTO THE RCP DRAINAGE LINE. THE EXISTING INSPECTION HOLES ARE CONNECTED TO THIS PVC AND THE EDGEDRAINS. THE CONTRACTOR WILL CAREFULLY REMOVE THESE INSPECTION HOLES PRESERVING THE PVC PIPE. THE PVC PIPE WILL BE CUT SQUARE AND A COUPLING ATTACHED TO EXTEND THE PVC PIPE BEYOND THE PROPOSED PAVEMENT EDGE. ONCE EXTENDED, THE PVC PIPE AND THE TWO ENDS OF THE EDGEDRAIN WILL BE CONNECTED TOGETHER AND A PROPOSED INSPECTION HOLE INSTALLED AS SHOWN IN THE DETAIL BELOW.

THE PVC PIPE EXTENSIONS AND ASSOCIATED INSPECTION HOLE WILL BE PAID FOR UNDER:

- ITEM AR705631 UNDERDRAIN INSPECTION HOLE TYPE A - EACH
- ITEM AR705632 UNDERDRAIN INSPECTION HOLE TYPE B - EACH
- ITEM AR705633 UNDERDRAIN INSPECTION HOLE TYPE C - EACH

**NOTE:**  
EXISTING ELECTRICAL DUCT AT TAXIWAY STA. 1+38

TIE INTO EXISTING UNDERDRAIN (PLUG REMAINING END)  
FLOWLINE ELEV. 581.00

PROPOSED INSPECTION HOLE TYPE A STA. 152+60, 55' RT.  
TOP ELEV. 583.32  
W. FLOWLINE ELEV. 580.22  
E. FLOWLINE ELEV. 580.22

PROPOSED INSPECTION HOLE TYPE A STA. 154+02, 110' RT.  
TOP ELEV. 583.33  
N. FLOWLINE ELEV. ±580.85  
S. FLOWLINE ELEV. ±580.85  
W. FLOWLINE ELEV. ±580.85  
SEE DETAIL THIS SHEET

PROPOSED INSPECTION HOLE TYPE B STA. 159+10, 55' RT.  
TOP ELEV. 584.15  
FLOWLINE ELEV. 581.93

PROPOSED INSPECTION HOLE TYPE B STA. 160+03, 52' LT.  
TOP ELEV. 584.33  
FLOWLINE ELEV. 581.80

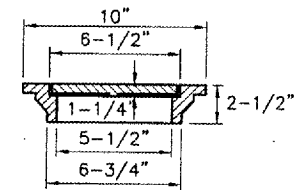
PROPOSED INSPECTION HOLE TYPE A STA. 154+00, 52' LT.  
TOP ELEV. 583.41  
N. FLOWLINE ELEV. 580.12  
W. FLOWLINE ELEV. 580.12  
E. FLOWLINE ELEV. 580.12  
SEE DETAIL THIS SHEET

**LEGEND**

- EXISTING IMPROVEMENTS
- PROPOSED IMPROVEMENTS
- EXISTING DRAINAGE PIPE
- EXISTING 6" UNDERDRAINS
- EXISTING INSPECTION HOLE
- EXISTING FLARED END SECTION
- EXISTING UNDERDRAINS (TO BE REMOVED)
- EXISTING INSPECTION HOLE (TO BE REMOVED)
- PROPOSED UNDERDRAINS
- PROPOSED INSPECTION HOLE

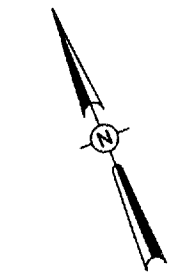
**INSPECTION HOLE NOTES**

DIAMETER OF PIPE AS SPECIFIED.  
TOP OF INSPECTION HOLES SHALL BE 0.10' BELOW ADJACENT PAVEMENT AT LOCATION SHOWN ON PLANS.  
1/2" CHAMFER TO BE USED ON ALL EXPOSED EDGES OF INSPECTION HOLES.  
THE CONCRETE SHALL BE STRUCTURAL PORTLAND CEMENT CONCRETE.

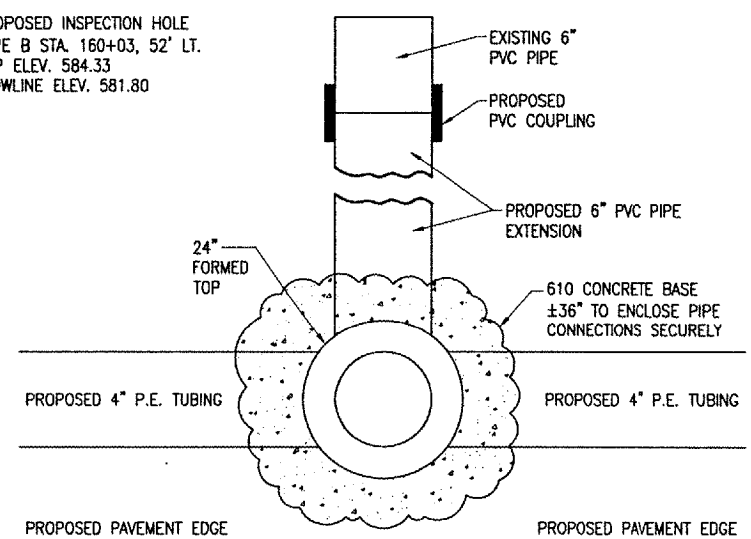
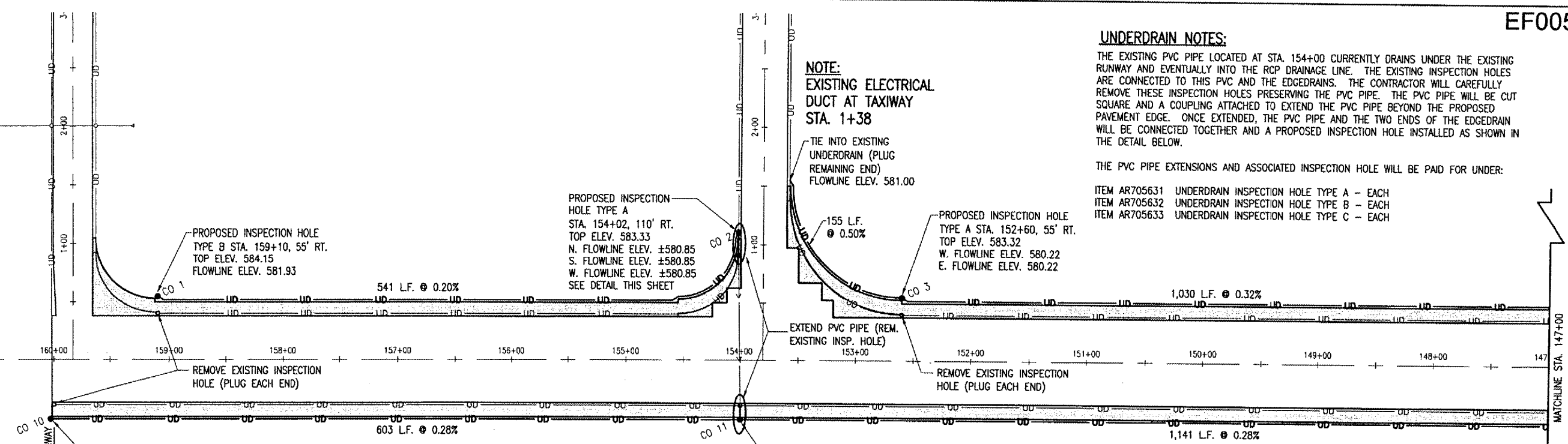


**CAST IRON FRAME AND COVER**

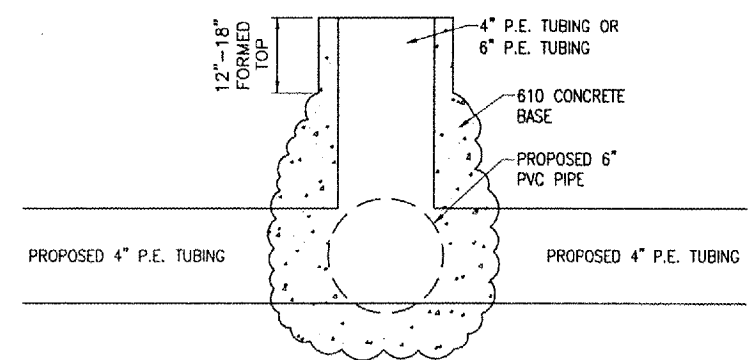
NEENAH R-6013, DEETER 1810,  
EAST JORDAN 2790-6 OR  
APPROVED EQUAL



0' 25' 50' 100'  
HALF SIZE SCALE: 1" = 100'  
FULL SIZE SCALE: 1" = 50'

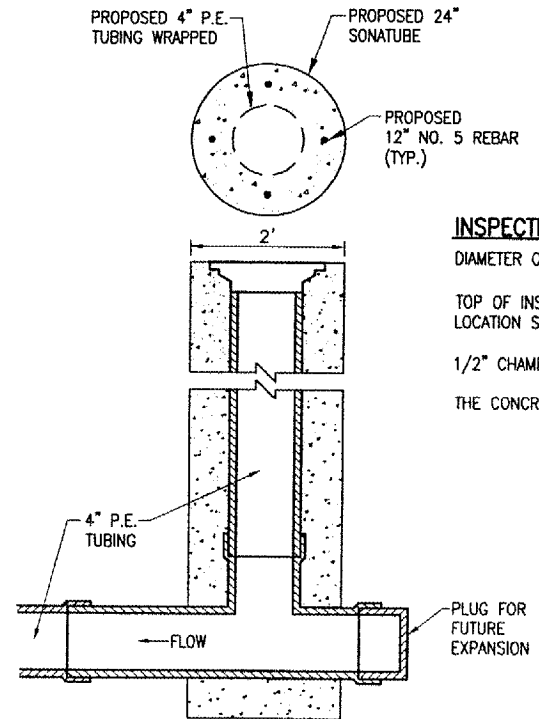


**PLAN VIEW**



**SIDE VIEW**

**INSPECTION HOLE-TYPE A**  
"NOT TO SCALE"



**INSPECTION HOLE-TYPE B**  
"NOT TO SCALE"

APR 09 2005 6:34 PM HAGL000382  
I:\AIRPORTS\EFFINGHAM\07A0143\CAD\SHEETS\R-131DRN.DWG - DRAIN 1

DATE		REVISION		BY	
<p><b>EFFINGHAM COUNTY MEMORIAL AIRPORT EFFINGHAM, ILLINOIS</b></p> <p>IL PROJ.: 1H2-3761 I.L. PROJ.: 3-17-0040-811 A.I.P. PROJ.: 3-17-0040-811</p>					
I.E. Project No. 07A0143D.0800 File Name: R-131DRN.DWG Scale: 1" = 50' Date: 02/12/08	LAYOUT: KOM DRAWN: BAK REVIEWED: CAH	11/28/07 11/28/07 02/12/08	<p>Hanson Professional Services Inc. 1525 South Sixth Street Springfield, Illinois 62703-2886 Offices Nationwide</p>		
<p><b>WIDEN RUNWAY 11/29 AND REPLACE MIRL'S</b></p> <p>PROPOSED DRAINAGE PLAN STA. 160+00 TO STA. 147+00</p>					
<p style="font-size: 2em; font-weight: bold;">18</p> <p>18 of 78 sheets</p>					