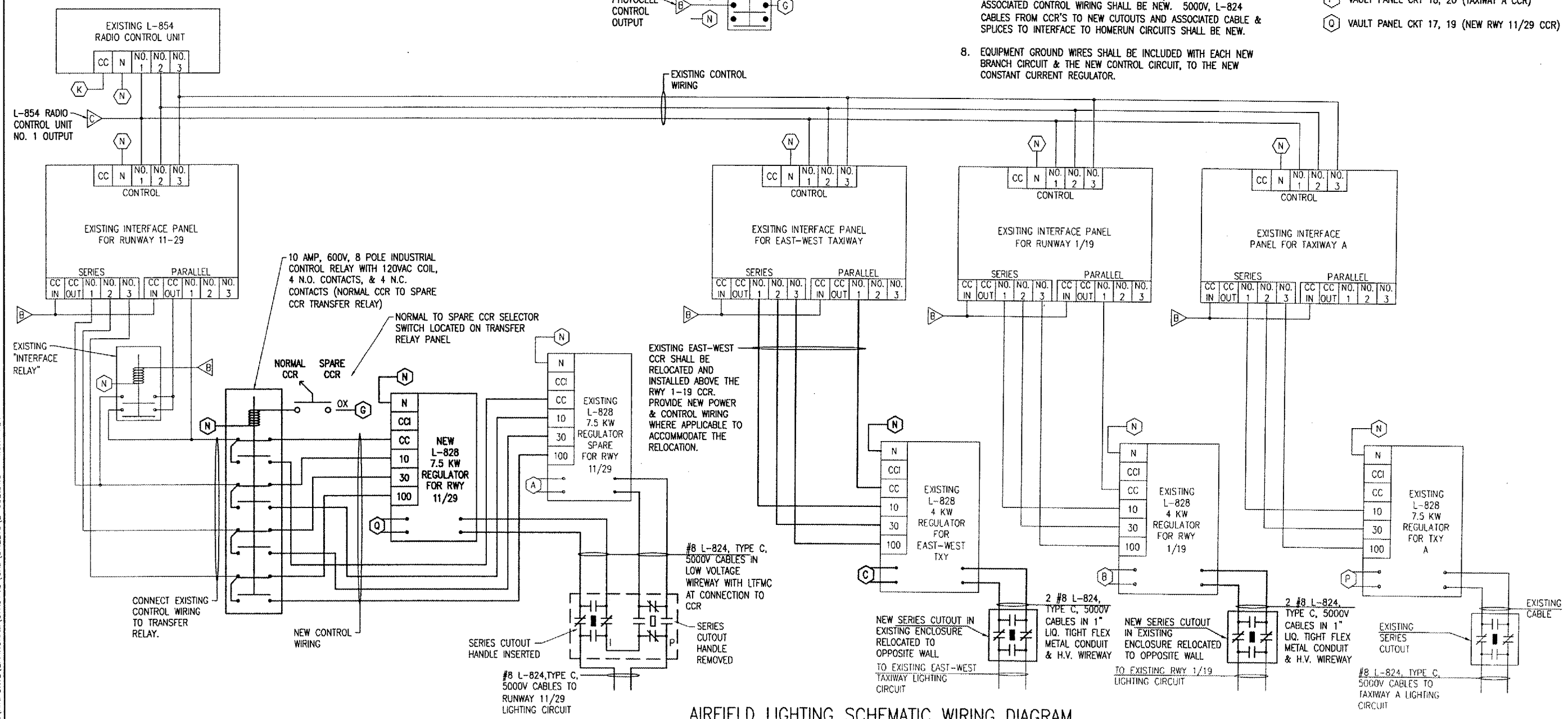


- NOTES**
1. ALL ELECTRICAL EQUIPMENT WILL BE WIRED IN ACCORDANCE WITH THE SCHEMATIC WIRING DIAGRAM AND ALL APPLICABLE CODES.
 2. ALL CONTROL CABLE WILL BE NO. 12 AWG, 600 VOLT CABLE.
 3. ALL ELECTRICAL EQUIPMENT WILL BE PROPERLY LABELED AND ALL ELECTRICAL CABLES WILL BE TAGGED.
 4. ALL ELECTRICAL CABLES INSIDE THE VAULT WILL BE IN CONDUIT OR DUCT.
 5. THE RUNWAY/TAXIWAY CIRCUITS WILL BE CONTROLLED BY THE L-854 RADIO CONTROL UNIT IN THE FOLLOWING MANNER:
3 CLICKS - 10% BRIGHTNESS
5 CLICKS - 30% BRIGHTNESS
7 CLICKS - 100% BRIGHTNESS
 6. RADIO CONTROL UNIT, PHOTOCELL, INDUSTRIAL CONTROL RELAYS, SPARE CCR FOR RWY 11/29, CCR FOR EAST-WEST TAXIWAY, CCR FOR RWY 1/19, CCR FOR TXY A, AND THE 4 RESPECTIVE INTERFACE PANELS ARE EXISTING.
 7. 7.5 KW CONSTANT CURRENT REGULATOR FOR THE RUNWAY 11/29, AND ASSOCIATED TRANSFER RELAY PANEL SHALL BE NEW. THE FOUR CUTOUPS FOR RWY 11/29 CCR, SPARE CCR FOR RWY 11/29, RWY 1/19 CCR AND EAST-WEST TAXIWAY CCR SHALL BE NEW. 240 VAC POWER WIRING TO RWY 11/29 CCR, AND ASSOCIATED CONTROL WIRING SHALL BE NEW. 5000V, L-824 CABLES FROM CCR'S TO NEW CUTOUPS AND ASSOCIATED CABLE & SPLICES TO INTERFACE TO HOMERUN CIRCUITS SHALL BE NEW.
 8. EQUIPMENT GROUND WIRES SHALL BE INCLUDED WITH EACH NEW BRANCH CIRCUIT & THE NEW CONTROL CIRCUIT, TO THE NEW CONSTANT CURRENT REGULATOR.

SHEET LEGEND

(A)	VAULT PANEL CKT 1, 3 (RWY 11/29 CCR)
(B)	VAULT PANEL CKT 2, 4 (SPARE RWY 1/19 CCR)
(C)	VAULT PANEL CKT 5, 7 (EAST-WEST TAXIWAY CCR)
(D)	VAULT PANEL CKT 6 (PHOTOCELL)
(E)	VAULT PANEL CKT 8 (BEACON)
(F)	VAULT PANEL CKT 9 (WIND CONE)
(G)	VAULT PANEL CKT 10 (INTERFACE POWER)
(H)	VAULT PANEL CKT 11 (RWY 1 PLASI)
(J)	VAULT PANEL CKT 12 (RWY 19 PLASI)
(K)	VAULT PANEL CKT 13 (RADIO CONTROL)
(N)	N DESIGNATES NEUTRAL FROM THE RESPECTIVE PANEL THAT POWERS THE DEVICE. FOR CONTROL CIRCUIT INPUTS TO CCR'S N SHALL BE FROM THE RESPECTIVE INTERFACE PANEL CIRCUIT NEUTRAL CONNECTION.
(P)	VAULT PANEL CKT 18, 20 (TAXIWAY A CCR)
(Q)	VAULT PANEL CKT 17, 19 (NEW RWY 11/29 CCR)



AIRFIELD LIGHTING SCHEMATIC WIRING DIAGRAM

APR 09, 2008 6:37 PM HAGL000382
E:\AIRPORTS\EFFINGHAM\07A0143\CAD\SHEETS\E-602.DWG - Work-FLR

DATE	REVISION	BY	EFFINGHAM COUNTY MEMORIAL AIRPORT EFFINGHAM, ILLINOIS
HEL Project No. 07A0143D_0800 Filename E-602.DWG Scale NONE Date 02/12/08			A.I.P. PROJ.: 3-17-0040-B11 I.L. PROJ.: 1H2-3761
LAYOUT	KNL	02/05/08	Hanson Professional Services Inc. 1525 South Sixth Street Springfield, Illinois 62703-2885 Offices Nationwide
DRAWN	DMV	02/05/08	
REVIEWED	CAH	02/12/08	
WIDEN RUNWAY 11/29 AND REPLACE MRL'S			AIRFIELD LIGHTING WIRING SCHEMATIC
30			30 of 78 sheets