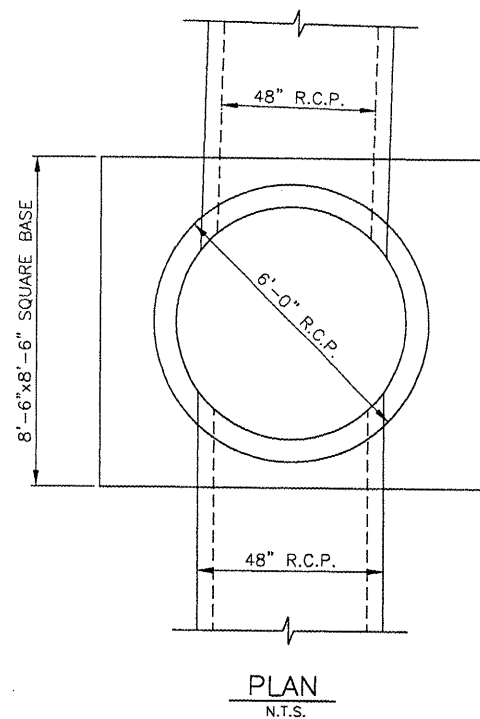
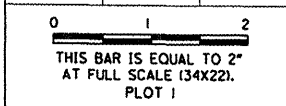
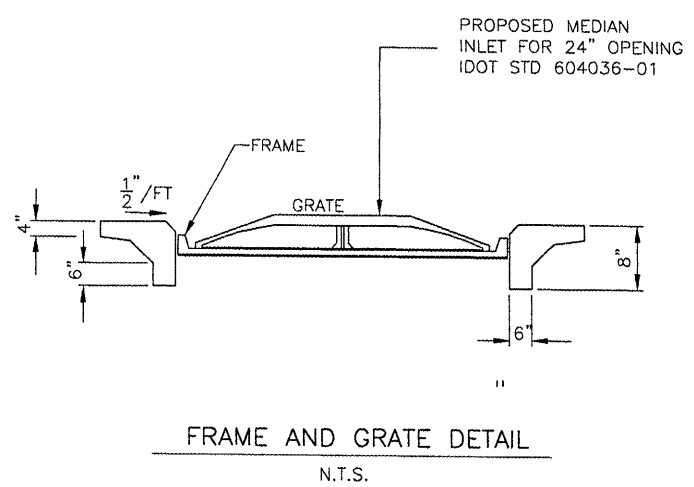


PE086

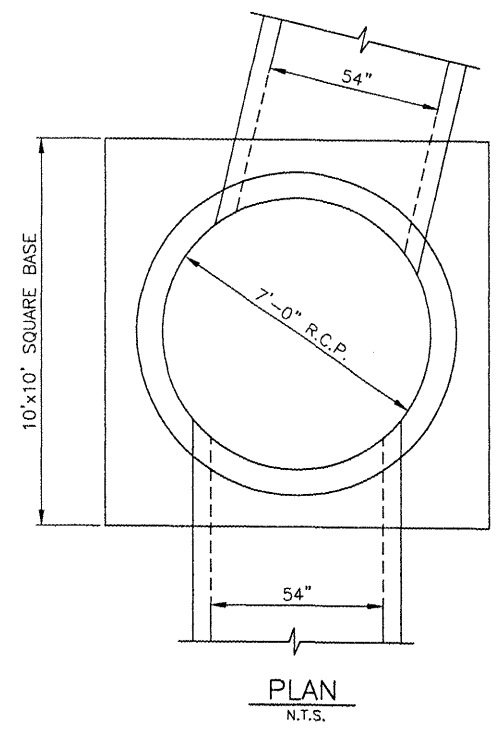
REVISIONS		
NUMBER	BY	DATE



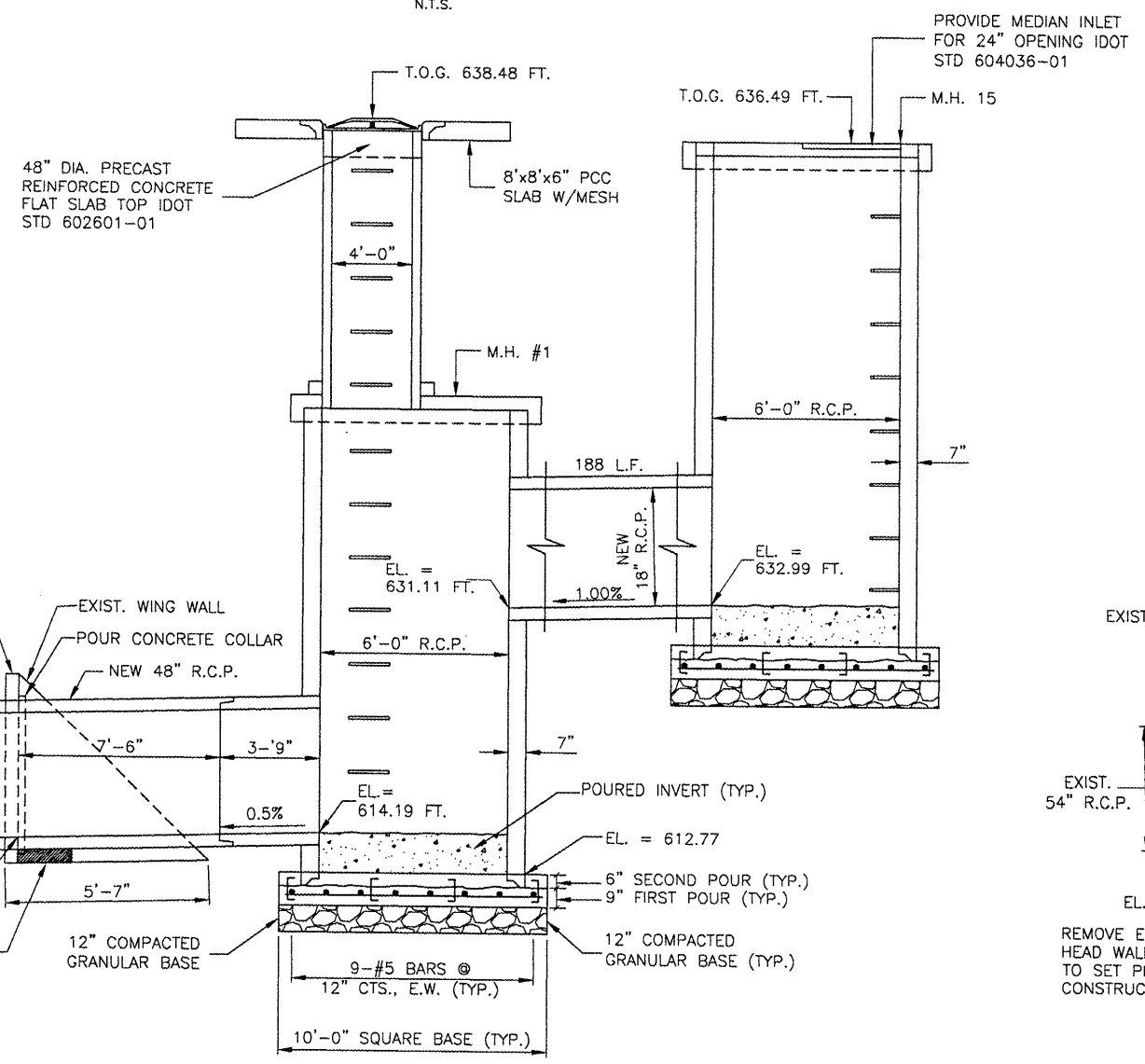
PLAN
N.T.S.



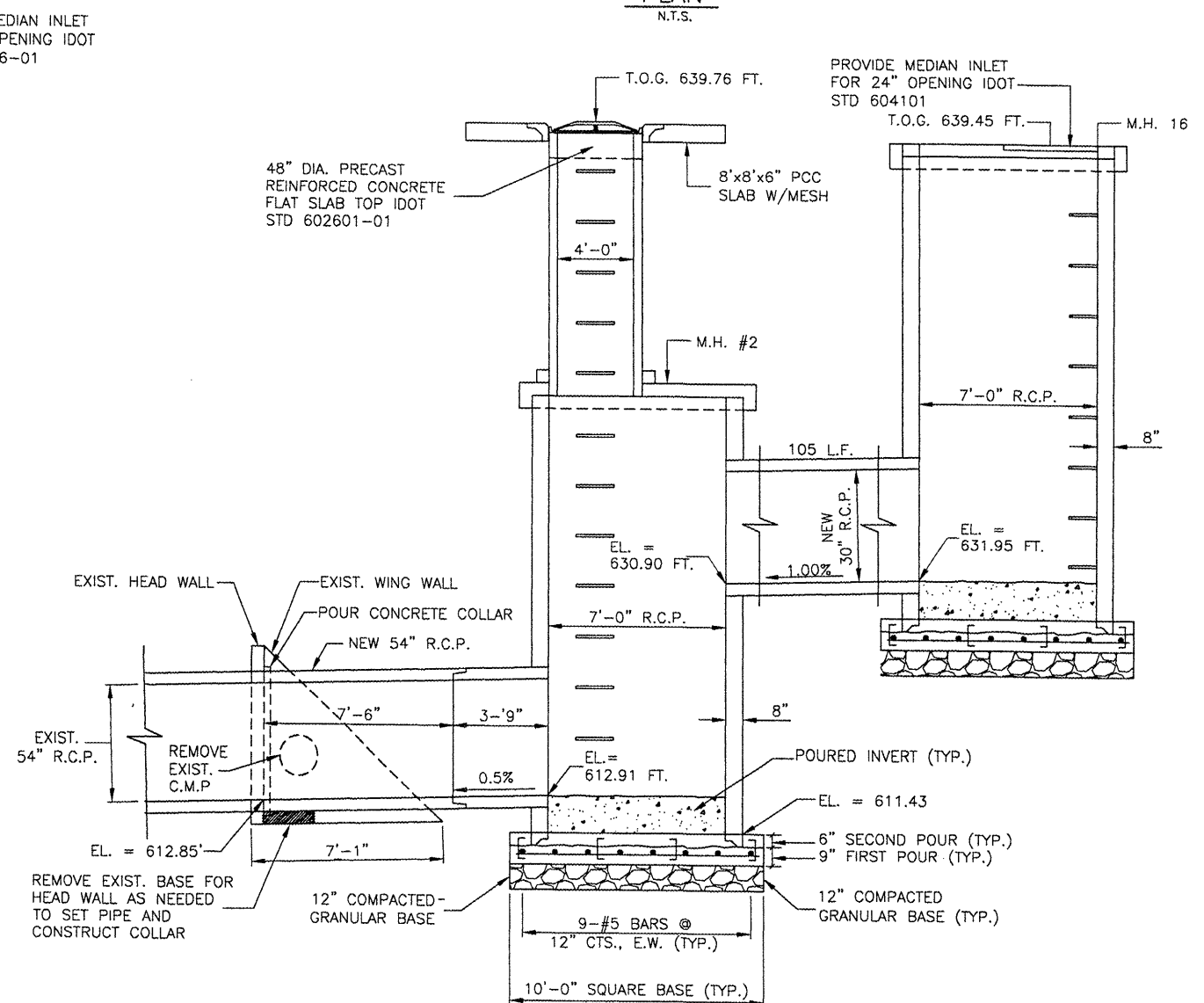
FRAME AND GRATE DETAIL
N.T.S.



PLAN
N.T.S.



54" R.C.P. MANHOLE STRUCTURE
N.T.S.



48" R.C.P. MANHOLE STRUCTURE
N.T.S.

GREATER Peoria REGIONAL Airport

CONSTRUCT NEW PERIMETER ROAD AND PERIMETER FENCE - PROJECT 1

CMT
CRAWFORD, MURPHY & TILLY, INC.
CONSULTING ENGINEERS

IL PROJECT: PIA-3343
AIP PROJ: 3-17-0080-XX

FILE:	\$FILES\$
DESIGN BY:	CET
DRAWN BY:	CMT
CHECKED BY:	XXX
APPROVED BY:	XXX
DATE:	10-26-2007
JOB No:	0706104

DRAINAGE DETAILS
SHEET 6 OF 6

SHEET 28 OF 140 SHEETS

K:\Peoria\070610400\Draw\Sheets
 FILE: DRAINAGE_DETAILS_1.dwg
 DATE: 4/24/2008 10:07 AM