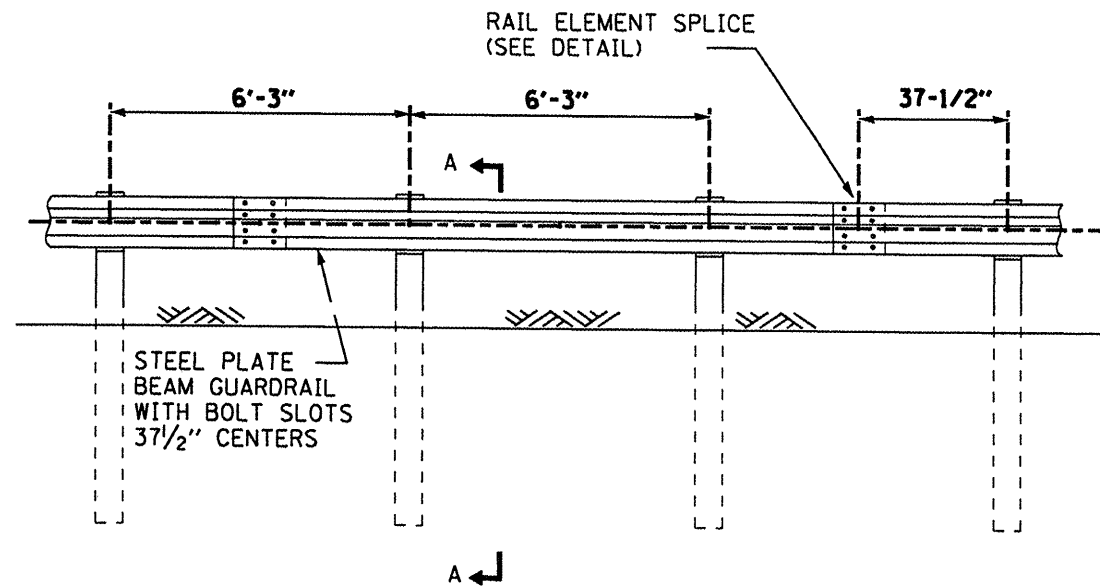


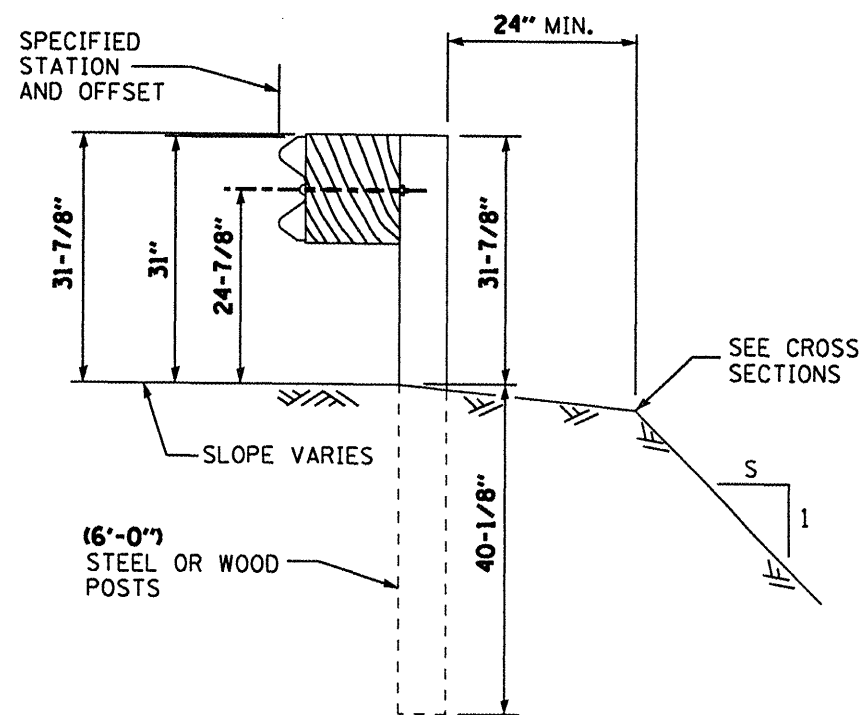
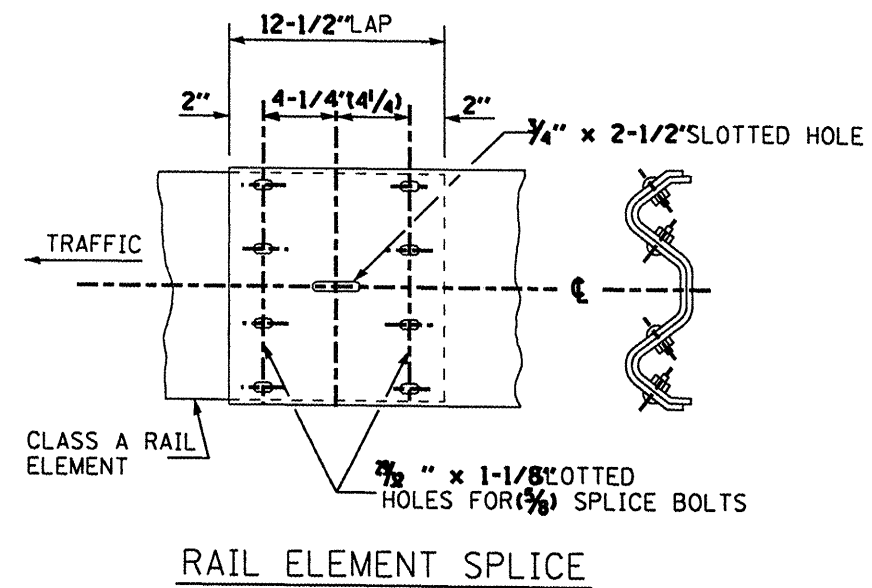
PE086



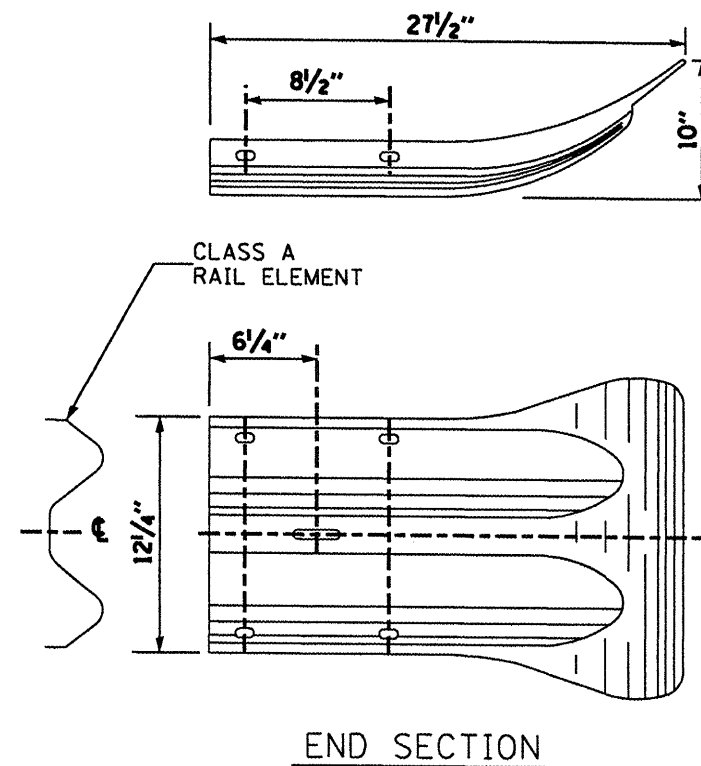
ELEVATION

TYPE A

(6'-3") TYPICAL POST SPACING

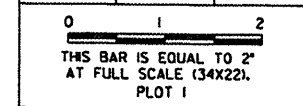


SECTION A-A



STEEL PLATE BEAM GUARDRAIL (SHEET 1 OF 2)

REVISIONS		
NUMBER	BY	DATE



GREATER Peoria REGIONAL Airport

CONSTRUCT NEW PERIMETER ROAD AND PERIMETER FENCE - PROJECT 1

CMT CRAWFORD, MURPHY & TILLY, INC. CONSULTING ENGINEERS

IL PROJECT: PIA-3343  
AIP PROJ: 3-17-0080-XX

FILE: ...208-630001-07\_SteelPlateBeam

DESIGN BY: TWM, RBL  
DRAWN BY: CAG  
CHECKED BY: RBL  
APPROVED BY: CET  
DATE: DECEMBER 10, 2007  
JOB No: 0706104

GUARDRAIL DETAIL SHEET 1 OF 2

SHEET 33 OF 140 SHEETS