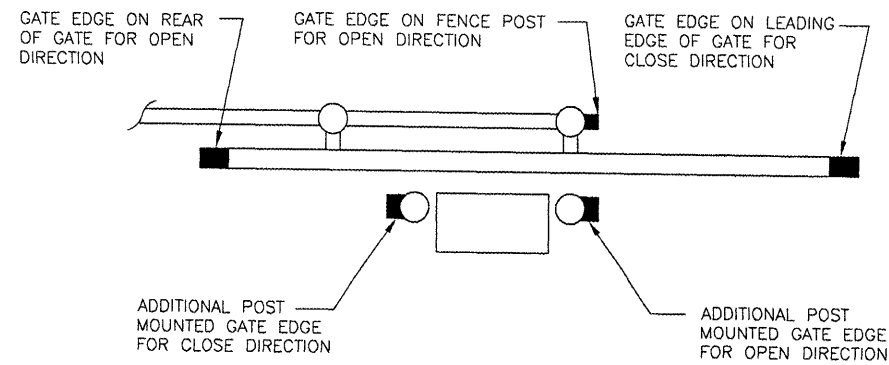


PE086

REVISIONS

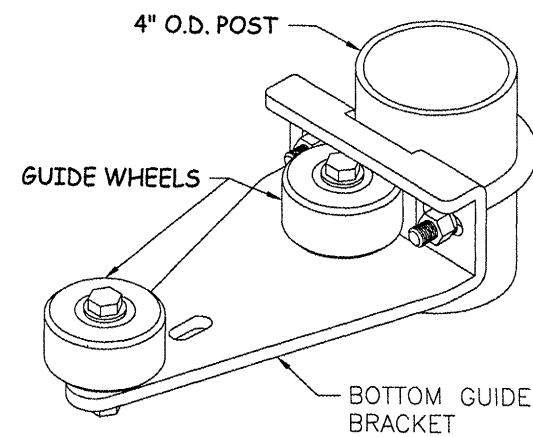
NUMBER	BY	DATE

0 1 2  
THIS BAR IS EQUAL TO 2"  
AT FULL SCALE (34X22).  
PLOT 1

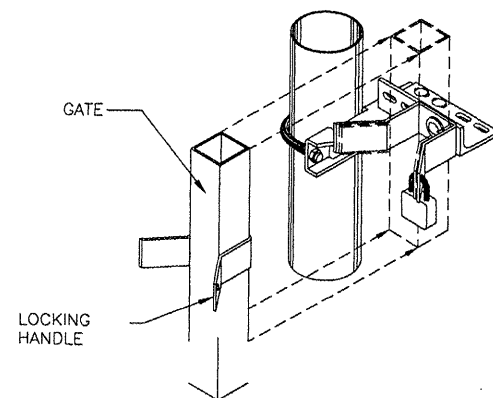


SECONDARY GATE OPERATOR ENTRAPMENT PROTECTION CONTACT SENSORS

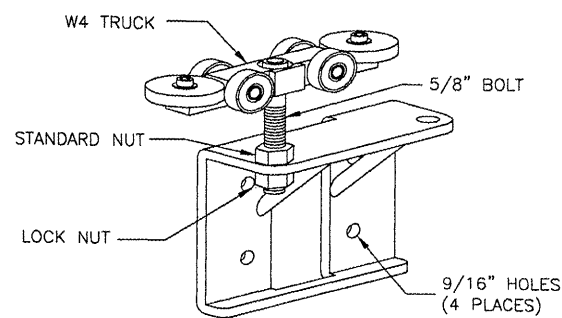
N.T.S.



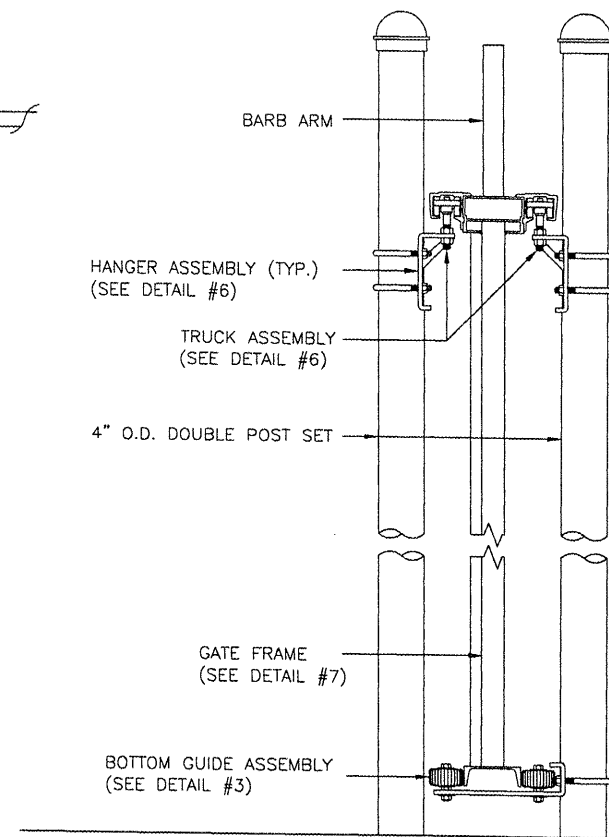
3  
5  
BOTTOM GUIDE  
N.T.S.



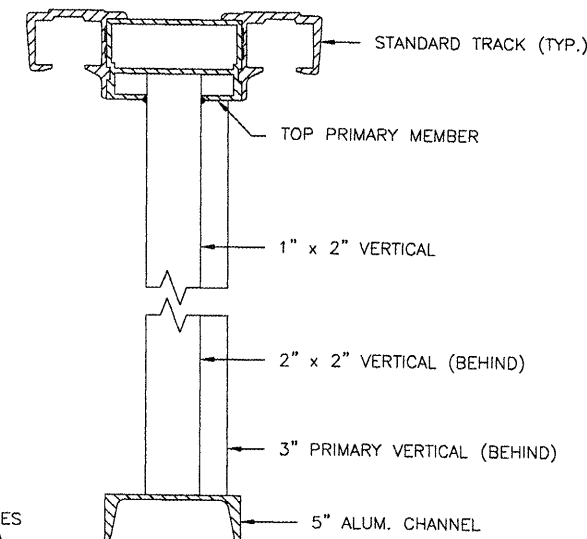
5  
5  
CATCH ASSEMBLY  
N.T.S.



6  
5  
GATE HANGER ASSEMBLY  
N.T.S.



4  
5  
ASSEMBLY SECTION  
N.T.S.



7  
5  
GATE FRAME SECTION  
N.T.S.

GREATER Peoria REGIONAL Airport  
CONSTRUCT NEW PERIMETER ROAD AND PERIMETER FENCE - PROJECT 1

CMT  
CRAWFORD, MURPHY & TILLY, INC.  
CONSULTING ENGINEERS  
Copyright CMT, Inc.

IL PROJECT: PIA-3343  
AIP PROJ: 3-17-0080-XX

FILE: SFILES  
DESIGN BY: CET  
DRAWN BY: CMT  
CHECKED BY: XXX  
APPROVED BY: XXX  
DATE: 10-26-2007  
JOB No: 0706104

CANTILEVER GATE DETAILS 2

SHEET 54 OF 140 SHEETS

CANTILEVER SLIDE GATE DETAILS