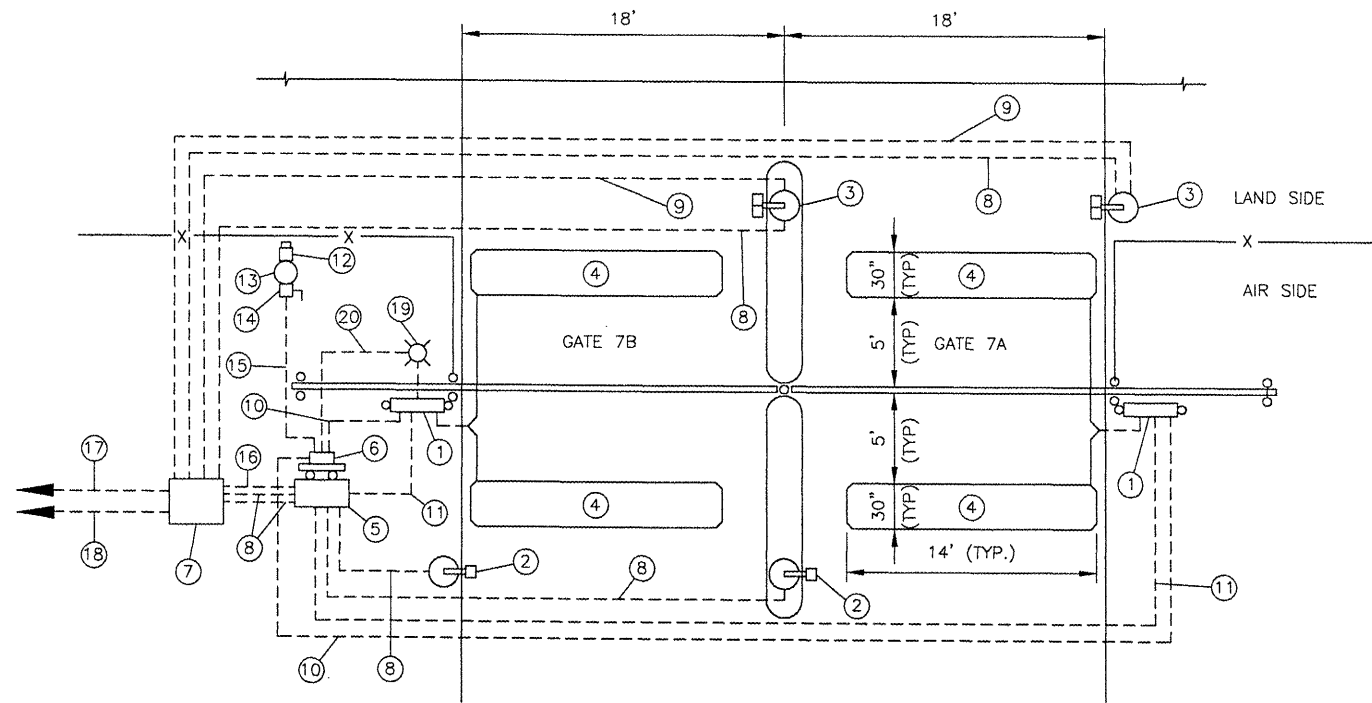
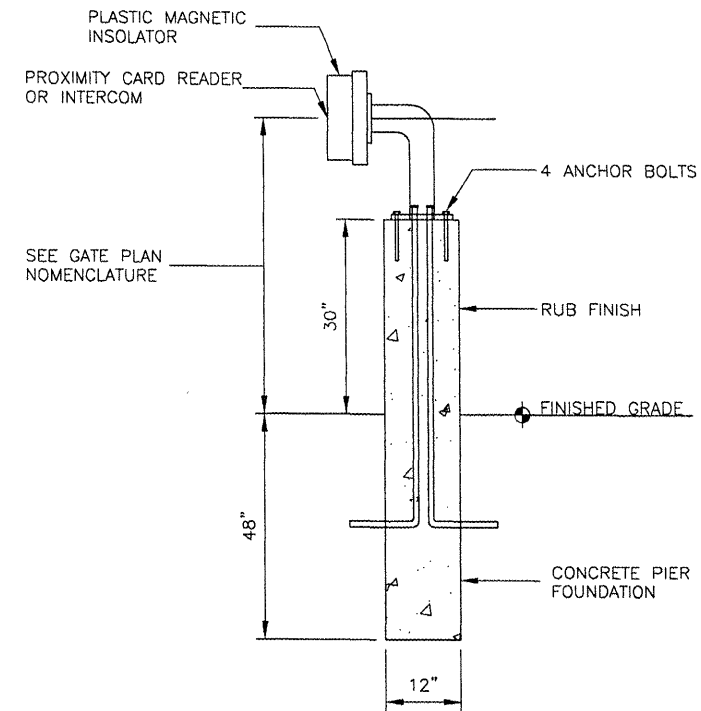


PE086



GATE 7A AND 7B PLAN
N.T.S.

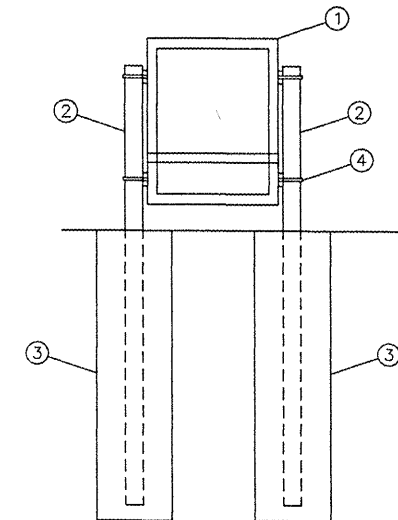
- ① CANTILEVER GATE OPERATOR, OSCO MODEL HSLG, 3/4 HP, 240V, SINGLE-PHASE.
- ② LONG-RANGE PROXIMITY CARD READER, HID MAXI-PROX. MOUNT ON CONCRETE PEDESTAL FOUNDATION. MOUNTING HEIGHT IN VEHICLE TRAFFIC LANE SHALL BE AS RECOMMENDED BY GATE OPERATOR SUPPLIER, NOMINALLY 42". MOUNTING HEIGHT IN FUEL TRUCK TRAFFIC LANE SHALL BE AS DIRECTED BY THE AIRPORT THROUGH THE ENGINEER.
- ③ LONG-RANGE PROXIMITY CARD READER, HID MAXI-PROX AND INTERCOM CALL BOX, TALK-A-PHONE ETP-400C IN NEMA 4X ENCLOSURE. MOUNT ON CONCRETE PEDESTAL FOUNDATION. MOUNTING HEIGHT IN VEHICLE TRAFFIC LANE SHALL BE AS RECOMMENDED BY GATE OPERATOR SUPPLIER, NOMINALLY 42". MOUNTING HEIGHT IN FUEL TRUCK TRAFFIC LANE SHALL BE AS DIRECTED BY THE AIRPORT THROUGH THE ENGINEER.
- ④ DETECTOR LOOPS.
- ⑤ IDENTICARD 9000 SERIES ACCESS CONTROLLER AND ACCESSORIES IN ENVIRONMENTAL NEMA 4X ENCLOSURE.
- ⑥ LOAD CENTER, 12-SPACES, 100A, 120/240V, SINGLE-PHASE, 3-WIRE, WITH 30A, 2P MAIN CIRCUIT BREAKER, IN NEMA 3R ENCLOSURE, SQUARE D QO, OR EQUIVALENT. MOUNT LOAD CENTER TO STRUT-TYPE FRAMING ON BACK SIDE OF ACCESS CONTROLLER. PROVIDE THE FOLLOWING CIRCUIT BREAKERS:
 - 20A, 2P (GATE 7A 240V POWER)
 - 20A, 2P (GATE 7B 240V POWER)
 - 20A, 1P (ACCESS CONTROLLER 120V POWER)
 - 20A, 1P (AREA LIGHT 120V POWER)
 - 20A, 1P (WEATHERPROOF GFCI RECEPTACLE 120V POWER)
 NOT SHOWN: PROVIDE A WEATHERPROOF GFCI RECEPTACLE, MOUNTED BELOW LOAD CENTER.
- ⑦ POLYMER CONCRETE HANDHOLE. HANDHOLE SHALL BE SOLID-BOTTOM DESIGN AND SHALL BE QUAZITE/HUBBELL #PG-2436-DA-42 WITH #PG-2436-HA-00-17 COVER, OR EQUIVALENT. HANDHOLES SHALL BE 24"W X 36"L X 42" DEEP. THE USE OF CHOPPED FIBERGLASS STRANDS, HIGH DENSITY POLYETHYLENE OR HIGH DENSITY POLYSTYRENE IS UNACCEPTABLE. PLASTIC AND/OR FIBERGLASS BOXES WILL NOT BE CONSIDERED AS ACCEPTABLE ALTERNATES FOR POLYMER CONCRETE HANDHOLES.
- ⑧ 6-CONDUCTOR #18 SHIELDED CABLE IN 1" CONDUIT. CONTRACTOR SHALL VERIFY WITH CARD READER SUPPLIER.
- ⑨ TELEPHONE CABLE MATCHING EXISTING IN 1" CONDUIT.
- ⑩ TWO #12 THWN (240V POWER), ONE #12 GROUND IN 3/4" CONDUIT.
- ⑪ 2/C #14 SHIELDED CABLE (GATE OPEN CONTROL) IN 1" CONDUIT.
- ⑫ UTILITY METER, FURNISHED BY UTILITY, INSTALLED BY CONTRACTOR PER UTILITY REQUIREMENTS.
- ⑬ UTILITY POLE FOR OVERHEAD UTILITY SERVICE, FURNISHED AND INSTALLED BY UTILITY.
- ⑭ HEAVY DUTY SERVICE ENTRANCE RATED DISCONNECT, 30A, 120/240V, WITH TWO 30A CLASS R FUSES, IN NEMA 3R ENCLOSURE, SQUARE D H221NRB, OR EQUIVALENT. PROVIDE EQUIPMENT GROUNDING KIT.
- ⑮ THREE #10 THWN IN 1" CONDUIT.
- ⑯ 6-CONDUCTOR 62.5/125 UM ARMORED FIBER OPTIC CABLE IN CONDUIT.
- ⑰ 6-CONDUCTOR 62.5/125 UM ARMORED FIBER OPTIC CABLE TO EXISTING GATE #7 LOCATION. SPLICE TO EXISTING 17FIBER OPTIC CABLES TO PUBLIC SAFETY BUILDING.
- ⑱ DIRECT-BURIAL RATED TELEPHONE CABLE TO EXISTING GATE #7 LOCATION. SPLICE TO EXISTING TELEPHONE CABLES TO BYERLY HANGAR.
- ⑳ AREA LIGHT MOUNTED ON 20' TALL POLE. LUMINAIRE SHALL BE PHOTOCCELL CONTROLLED, 150W METAL HALIDE, LITHONIA KSE1-150M-R4SC-120-SP04-LPI-PER-PE1-DDB, OR EQUIVALENT. POLE SHALL BE LITHONIA SSA-20-4C WITH ANCHOR BOLTS, OR EQUIVALENT. COLOR SHALL BE DARK BRONZE.
- ㉑ TWO #12 THWN (120V), ONE #12 GROUND IN 3/4" CONDUIT.



CARD READER AND INTERCOM PEDESTAL DETAIL
N.T.S.

GATE 7A & 7B OPERATOR ELEVATION NOMENCLATURE

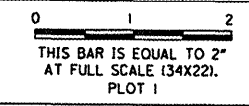
- ① CANTILEVER GATE OPERATOR, OSCO MODEL HSLG, 3/4 HP, 240V, SINGLE-PHASE.
- ② 3-1/2" GALVANIZED STEEL POSTS. USE SAME POSTS FOR ACCESS CONTROLLER SUPPORT POSTS.
- ③ 12" DIAMETER BY 4' DEEP CONCRETE FOOTINGS. USE SAME DESIGN FOR ACCESS CONTROLLER FOOTINGS.
- ④ U-BOLTS, SIDE PLATES AND HARDWARE, FURNISHED BY GATE OPERATOR SUPPLIER.



GATE 7A AND 7B OPERATOR ELEVATION
N.T.S.

UTILITY NOTE:
 THE GATE PLAN SHOWS AN OVERHEAD UTILITY SERVICE BEING PROVIDED. HOWEVER, THE UTILITY MAY INSTALL A PAD-MOUNTED UTILITY SERVICE INSTEAD. ANY WORK REQUIRED BY THE CONTRACTOR FOR THE INSTALLATION OF A PAD-MOUNTED UTILITY SERVICE INSTEAD OF A POLE-MOUNTED UTILITY SERVICE SHALL BE CONSIDERED INCIDENTAL TO THE ACCESS CONTROL PAY ITEM AND WILL NOT BE MEASURED OR PAID FOR SEPARATELY.

REVISIONS		
NUMBER	BY	DATE



GREATER Peoria REGIONAL Airport

CONSTRUCT NEW PERIMETER ROAD AND PERIMETER FENCE - PROJECT 1

CMT
 GRANFORD, MURPHY & TILLY, INC.
 CONSULTING ENGINEERS
© Copyright CMT, Inc.

IL PROJECT: PIA-3343
AIP PROJ: 3-17-0080-XX

FILE:	SFILES
DESIGN BY:	CET
DRAWN BY:	CMT
CHECKED BY:	XXX
APPROVED BY:	XXX
DATE:	10-26-2007
JOB No:	0706104

GATE 7A & 7B
DETAILS 1

SHEET 55 OF 140 SHEETS

K:\Peoria\070610400\Draw\Sheets
 FILE: GATE 7A & 7B DETAILS 1.dwg
 DATE: 4/24/2008 12:14 PM