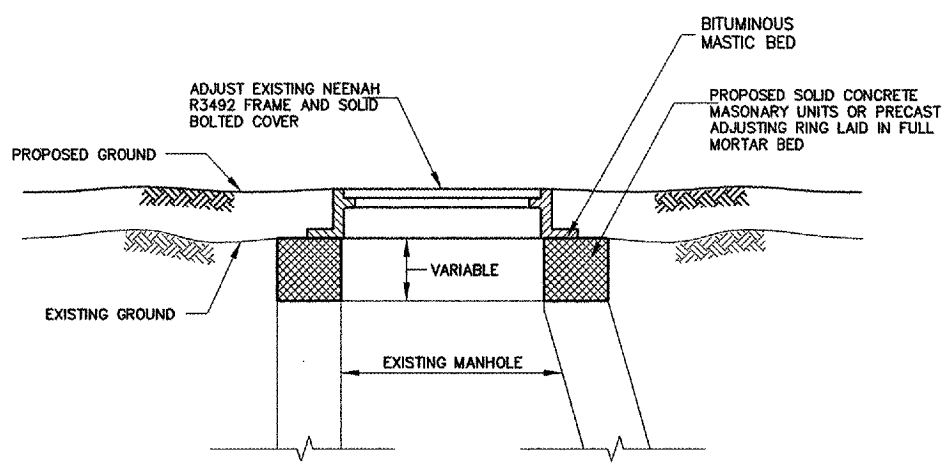
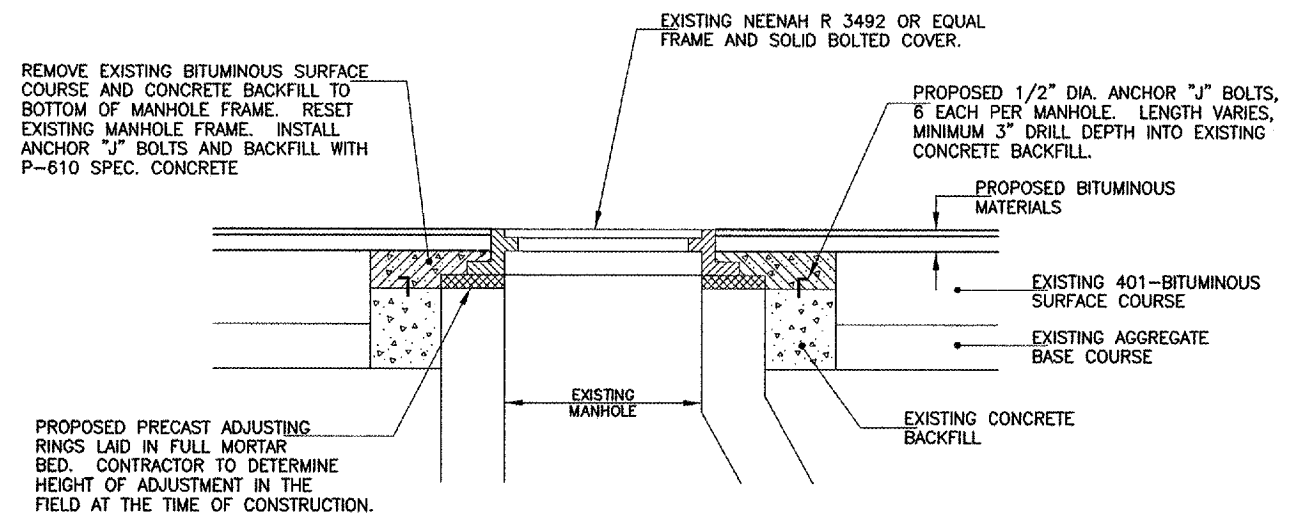


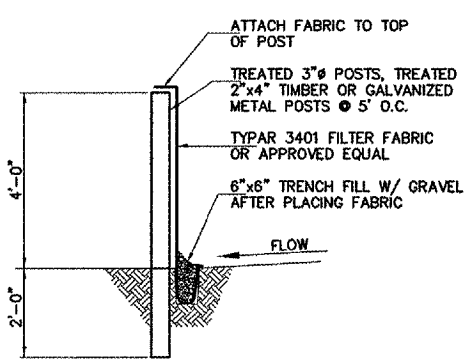
TEMPORARY SEDIMENT TRAP
 AT ALL INLET STRUCTURES



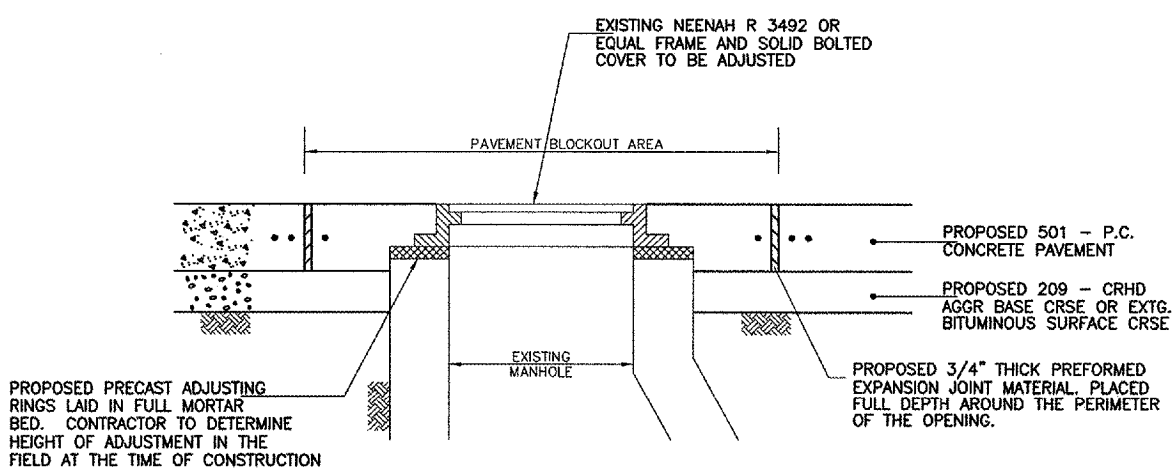
TYPICAL DETAIL - MANHOLE
 ADJUST - IN TURF



TYPICAL DETAIL - MANHOLE
 ADJUSTMENT IN BIT. PAVEMENT

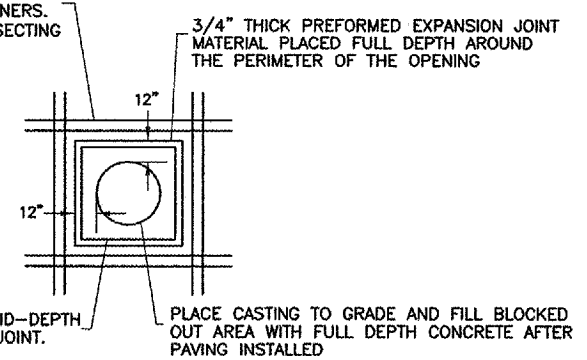


SECTION A-A
 SILT FENCE DETAIL
 NOT TO SCALE



TYPICAL DETAIL - MANHOLE
 ADJUSTMENT IN P.C.C. PAVEMENT
 NO SCALE

2 - #6 REBARS (8 TOTAL) PLACED AT MID-DEPTH OF PAVEMENT 3" FROM EXPANSION JOINT ON 6" C TO C. EXTEND BARS 2'-0" BEYOND EXPANSION CORNERS. DISCONTINUE BARS 3" EITHER SIDE OF INTERSECTING EXPANSION JOINTS.



#6 REBARS (4 TOTAL) PLACED AT MID-DEPTH OF PAVEMENT 3" FROM EXPANSION JOINT.

PLACE CASTING TO GRADE AND FILL BLOCKED OUT AREA WITH FULL DEPTH CONCRETE AFTER PAVING INSTALLED

PAVEMENT SQUARE BLOCKOUT
 FOR CIRCULAR CASTING
 NO SCALE

G:\AIRPORT\A07T031-R9 W INLAY\MISC.DWG, 4/22/2008 11:55:08 AM, jeffm