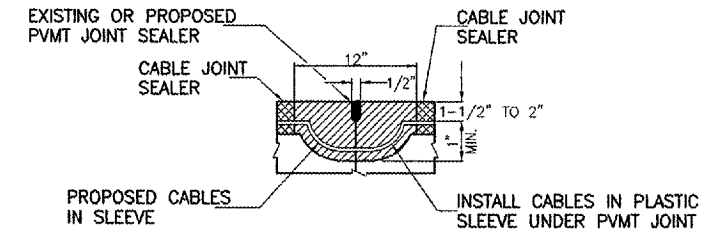
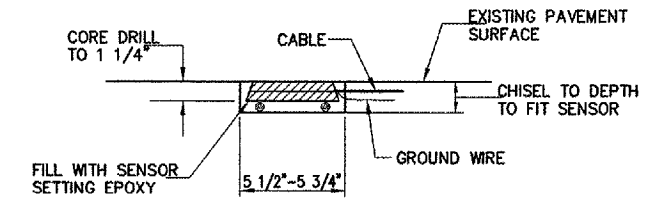


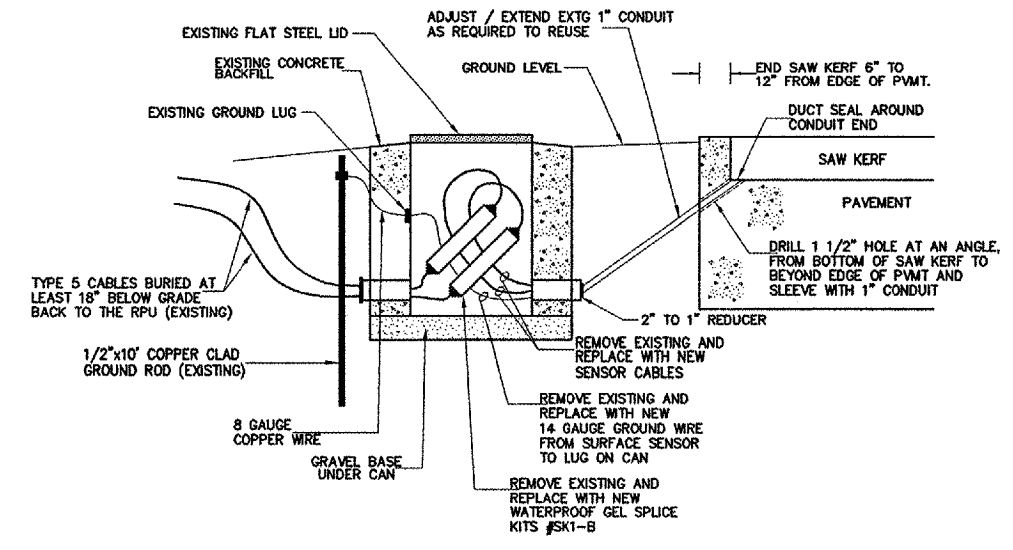
PROPOSED SURFACE SENSOR AND SENSOR CABLE
 INSTALLATION PROFILE VIEW, STA. 132+13 RIGHT



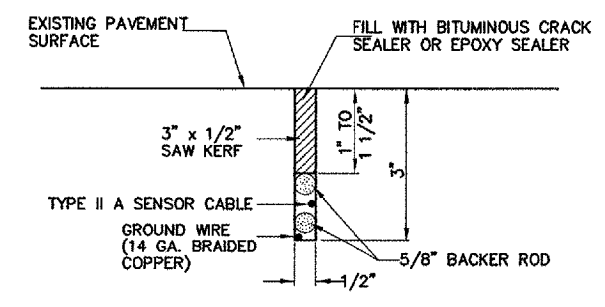
SAW KERF AT PAVEMENT JOINT INTERSECTION



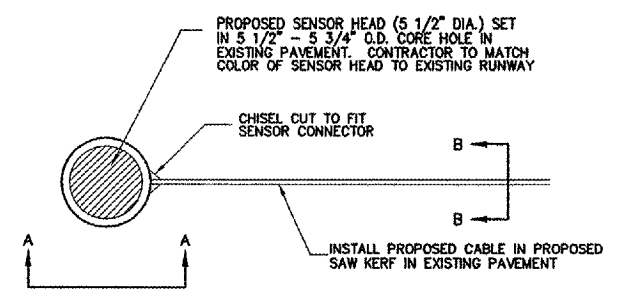
SECTION A-A



SPLICE CAN DETAILS



SECTION B-B



TYPICAL SENSOR HEAD AND
 CABLE INSTALLATION DETAIL

G:\AIRPORT\A07T031-R9 W INLAY\MISC.DWG 4/22/2008 11:55:13 AM, jefm