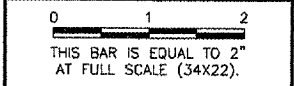


REVISIONS		
NUMBER	BY	DATE



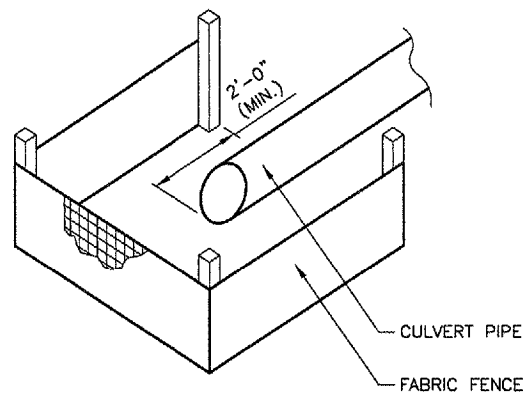
**UNIVERSITY OF ILLINOIS  
 WILLARD AIRPORT**

**REHABILITATE AIR CARRIER RAMP, PHASE 2**

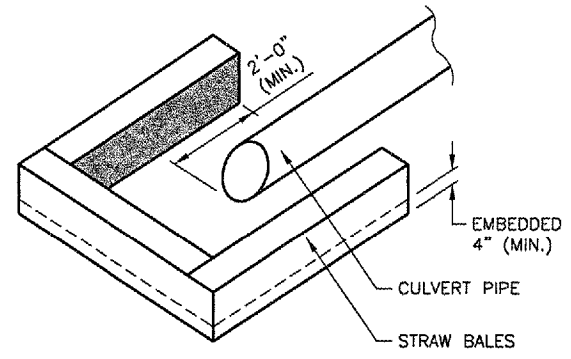
**EROSION CONTROL DETAILS**

© Copyright CMT, Inc.  
**CMT**  
 CRAWFORD, MURPHY & TILLY, INC.  
 CONSULTING ENGINEERS  
 License No. 184-000513

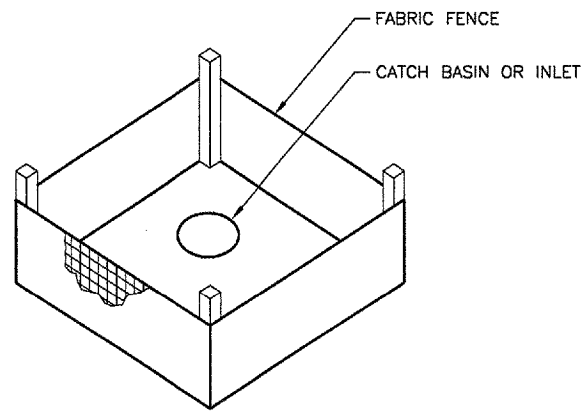
DESIGN BY:	SMS
DRAWN BY:	CMT
CHECKED BY:	<i>SMS</i>
APPROVED BY:	<i>SMS</i>
DATE:	04/18/2008
JOB No:	0305903
CMI-3663 3-17-0016-XX	
SHEET 51 OF 57 SHEETS	



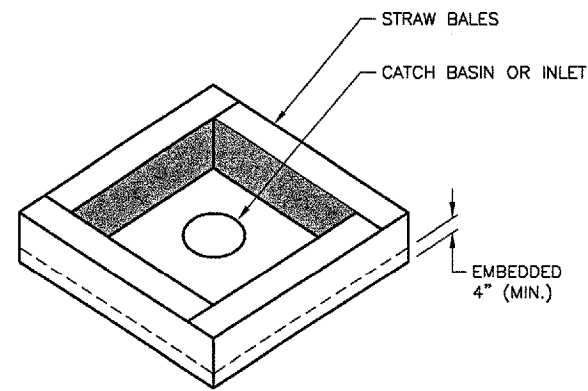
**CULVERT PROTECTION WITH FABRIC**  
 N.T.S.



**CULVERT PROTECTION WITH STRAW BALES**  
 N.T.S.

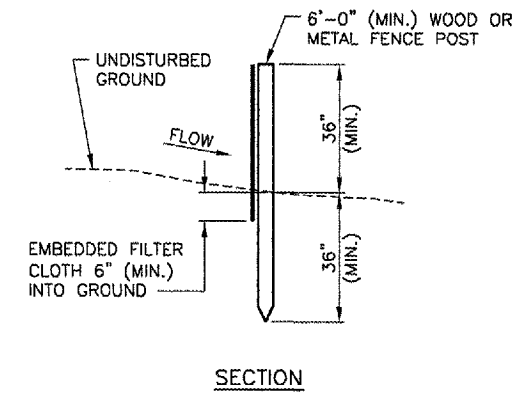


**INLET PROTECTION WITH FABRIC**  
 N.T.S.

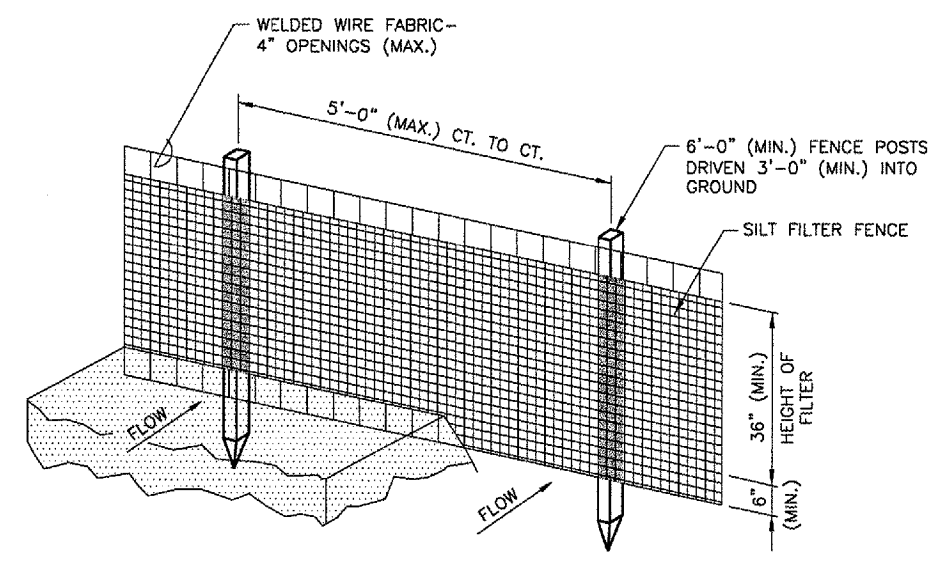


**INLET PROTECTION WITH STRAW BALES**  
 N.T.S.

- NOTES**
1. IF SILT FENCE IS USED FOR INLET PROTECTION, THE FENCE CONSTRUCTION WILL CONFORM TO THE EROSION CONTROL FABRIC FENCE DETAIL ON THIS SHEET.
  2. INLET PROTECTION USED AROUND FLARED END SECTIONS OR CULVERTS WILL ONLY REQUIRE 3 SIDES AND WILL BE PAID FOR AS INLET PROTECTION.



**SECTION**



**PERSPECTIVE VIEW**

**EROSION CONTROL FABRIC FENCE DETAIL**  
 N.T.S.

- NOTES**
1. WELDED WIRE FENCE TO BE FASTENED SECURELY TO FENCE POSTS WITH WIRE TIES OR STAPLES.
  2. FILTER CLOTH TO BE FASTENED SECURELY TO WELDED WIRE FENCE WITH TIES SPACED EVERY 12".
  3. WHEN TWO SECTIONS OF FILTER CLOTH ADJOIN EACH OTHER THEY MUST BE OVERLAPPED BY 6" MINIMUM AND FOLDED.
  4. MAINTENANCE WILL BE PERFORMED AS NEEDED AND MATERIAL REMOVED WHEN "BULGES" DEVELOP IN THE SILT FENCE. MAINTENANCE, WHICH INCLUDES THE REPLACEMENT OF DAMAGED FENCE, WILL BE CONSIDERED INCIDENTAL TO THE COST OF THE EROSION CONTROL FENCE.