



HANSON PROFESSIONAL SERVICES INC.

815 Commerce Drive, Suite 200
Oak Brook, Illinois 60523
Telephone: 630.990.3800
Fax: 630.990.3801

Illinois Professional Design Firm
Registration No. 184-001084

© Copyright Hanson Professional Service Inc. 2007



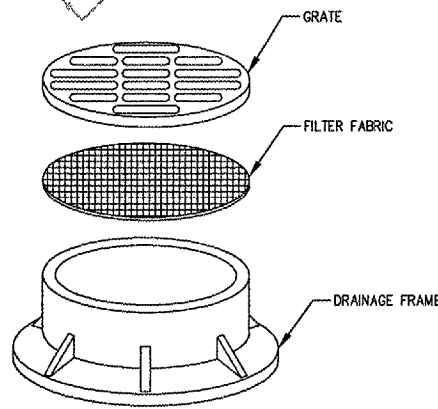
WAUKEGAN REGIONAL AIRPORT
WAUKEGAN PORT DISTRICT

3580 North McAree Road
Waukegan, Illinois 60087
Telephone: 847.244.0066
Fax: 847.244.3813

WAUKEGAN REGIONAL AIRPORT
WAUKEGAN, ILLINOIS

REPAIR AND OVERLAY WEST
PORTION OF TAXIWAY A

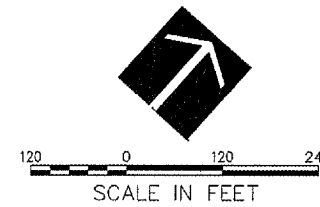
AIP PROJECT NO. 3-17-0105-B39
IDA PROJECT NO. UGN-3751



INLET PROTECTION - DRAINAGE STRUCTURE FILTER WRAP

NOTES:

1. FILTER WRAP TO BE PLACED IN ALL MANHOLES AS SHOWN.
2. FABRIC SHALL BE IN CONFORMANCE WITH MATERIALS SPECIFIED FOR SILT FENCE.
3. FABRIC SHALL OVERLAY FRAME BY 2 INCHES (MINIMUM).
4. CONTRACTOR SHALL CLEAR DEBRIS AND SILT AS REQUIRED FROM FABRIC TO MAINTAIN DRAINAGE THROUGH THE STRUCTURE.
5. FABRIC SHALL REMAIN IN PLACE UNTIL TURFED AREAS HAVE DEVELOPED A MINIMUM OF 80% OF COVERAGE.
6. COST OF FILTER WRAP SHALL BE INCIDENTAL TO INLET PROTECTION.

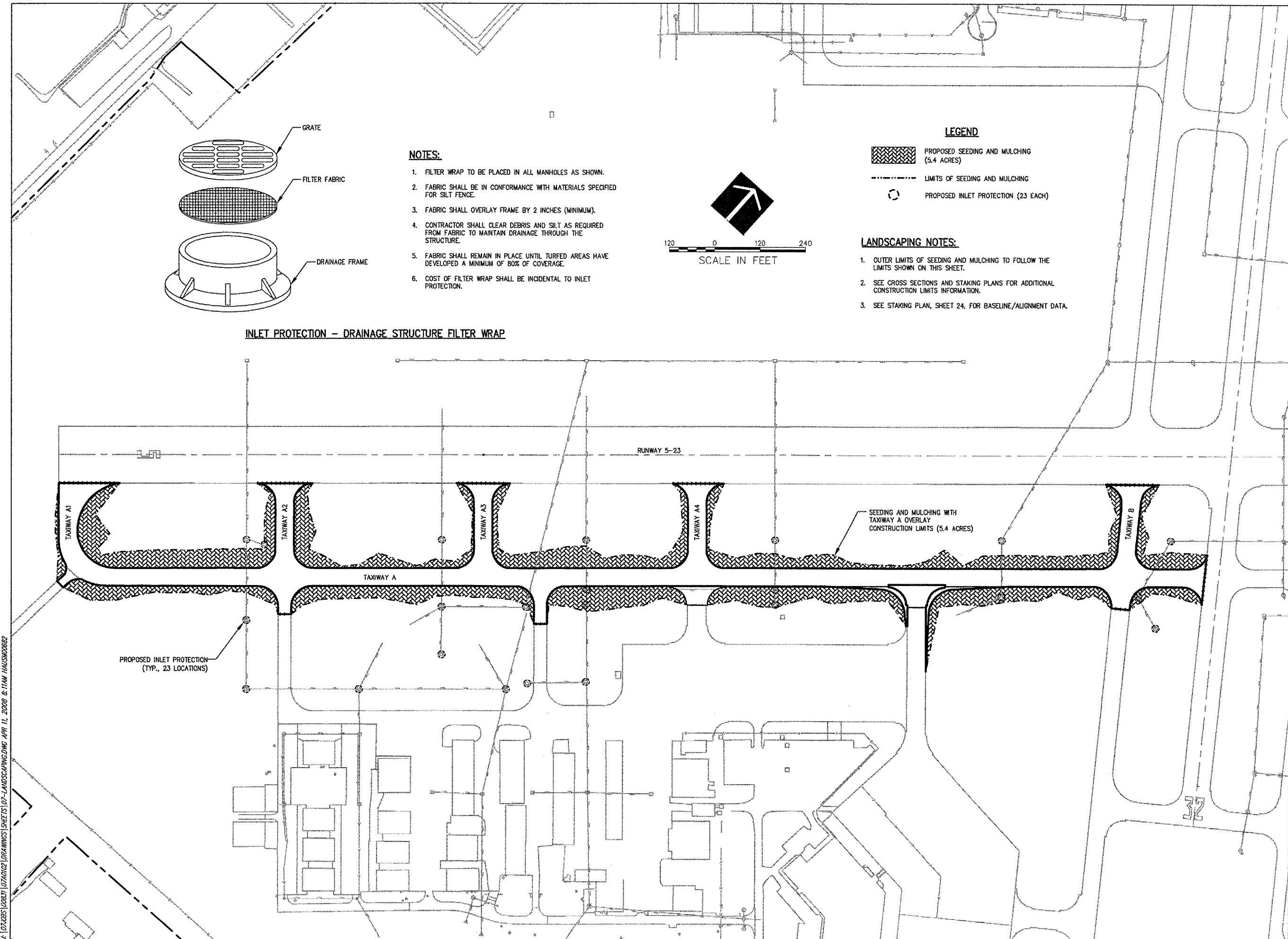


LEGEND

- PROPOSED SEEDING AND MULCHING (5.4 ACRES)
- LIMITS OF SEEDING AND MULCHING
- PROPOSED INLET PROTECTION (23 EACH)

LANDSCAPING NOTES:

1. OUTER LIMITS OF SEEDING AND MULCHING TO FOLLOW THE LIMITS SHOWN ON THIS SHEET.
2. SEE CROSS SECTIONS AND STAKING PLANS FOR ADDITIONAL CONSTRUCTION LIMITS INFORMATION.
3. SEE STAKING PLAN, SHEET 24, FOR BASELINE/ALIGNMENT DATA.



PROPOSED INLET PROTECTION (TYP., 23 LOCATIONS)

SEEDING AND MULCHING WITH TAXIWAY A OVERLAY CONSTRUCTION LIMITS (5.4 ACRES)

No.	Drawing Issue Description	Date	By

Date JANUARY 11, 2008
Sheet Title

LANDSCAPING AND STORM WATER POLLUTION PREVENTION PLAN

07A0102
Project Number
LDH 10/30/07
Layout By Date
LDH 10/30/07
Designed By Date
RMH 01/08/08
Reviewed By Date
LDH
Drawn By

A. (07A05) (0087) (07A0102) (DRAWINGS) (SHEET 15) OF LANDSCAPING.DWG APR 11, 2008 8:11AM HAUSKORBZ