



HANSON PROFESSIONAL SERVICES INC.

815 Commerce Drive, Suite 200  
Oak Brook, Illinois 60523  
Telephone: 630.990.3800  
Fax: 630.990.3801

Illinois Professional Design Firm  
Registration No. 184-001084

© Copyright Hanson Professional Service Inc. 2007



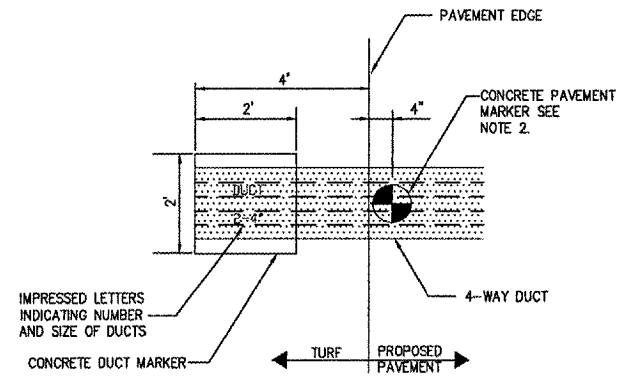
WAUKEGAN REGIONAL AIRPORT  
WAUKEGAN PORT DISTRICT

3580 North McAree Road  
Waukegan, Illinois 60087  
Telephone: 847.244.0066  
Fax: 847.244.3813

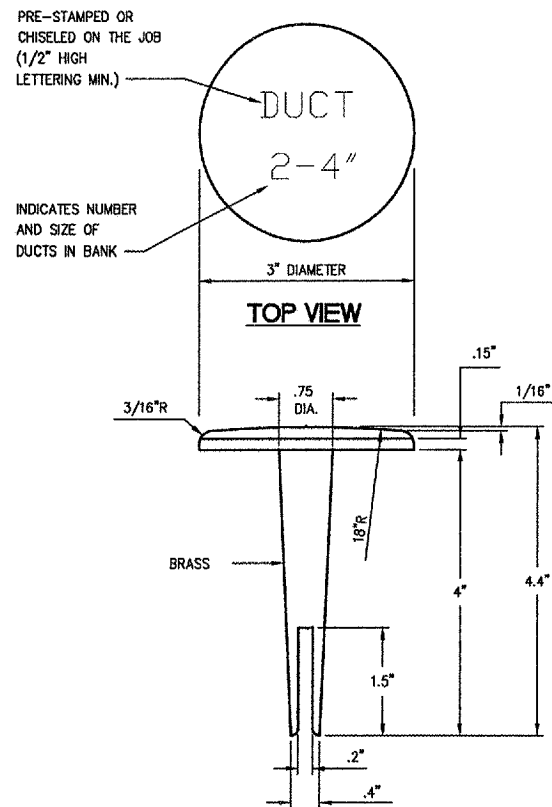
WAUKEGAN REGIONAL AIRPORT  
WAUKEGAN, ILLINOIS

REPAIR AND OVERLAY WEST  
PORTION OF TAXIWAY A

AIP PROJECT NO. 3-17-0105-B39  
IDA PROJECT NO. UGN-3751



LOCATION PLAN

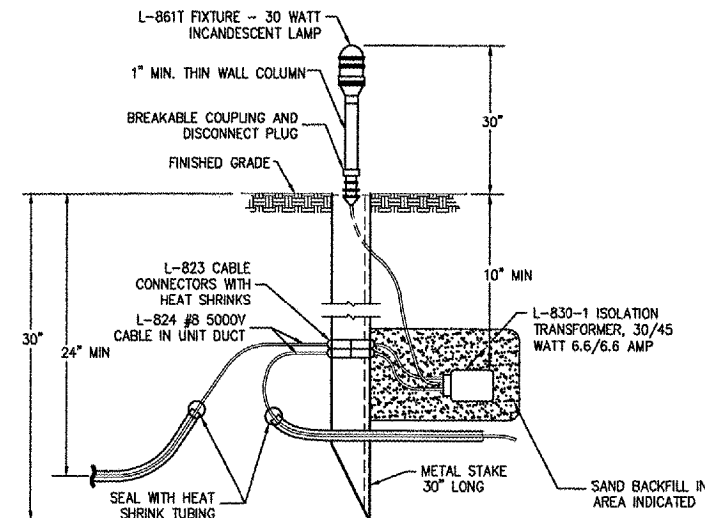


BITUMINOUS PAVEMENT MARKER

TURF AND PAVEMENT DUCT AND CABLE MARKERS

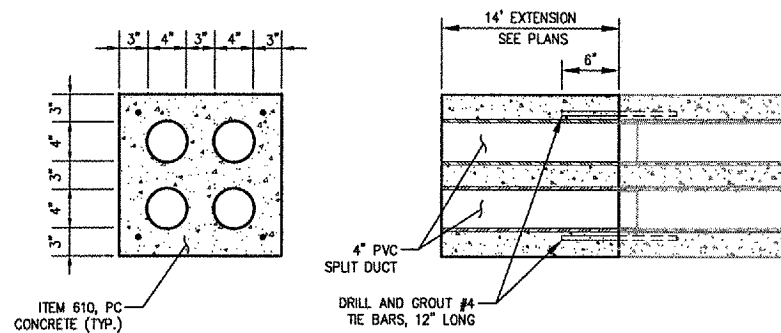
NOTES:

1. THE COSTS OF ALL TURF AND PAVEMENT DUCT MARKERS SHALL BE INCIDENTAL TO THE DUCT.
2. BITUMINOUS PAVEMENT DUCT MARKER AND CONCRETE DUCT MARKER TO BE PROVIDED AT EACH END OF EACH DUCT AS SHOWN ON THE LOCATION PLAN. FOR CONCRETE PAVEMENT, THE LETTER "D" SHALL BE IMPRESSED IN THE PAVEMENT INSTEAD OF THE MARKER. THE LETTER SHALL BE FORMED AS DESCRIBED IN NOTE 3.
3. LETTERS 4" HIGH, 3" WIDE WITH WIDTH OF STROKE 1/2" AND 1/4" DEEP. ALL LETTERS, NUMBERS AND ARROWS TO BE IMPRESSED.

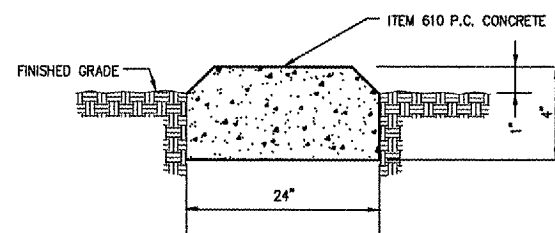


1. BREAKABLE COUPLING SHALL NOT BE OVER 1" ABOVE BASE PLATE.
2. TWO FEET OF SLACK CABLE IS TO BE LEFT AT EACH LIGHT. SLACK IS TO BE ON THE CABLE SIDE OF PRIMARY CONNECTORS AND SPLICES AND IS TO BE INCIDENTAL TO THE CABLE.
3. SEE SPECIAL PROVISIONS FOR ADDITIONAL REQUIREMENTS.

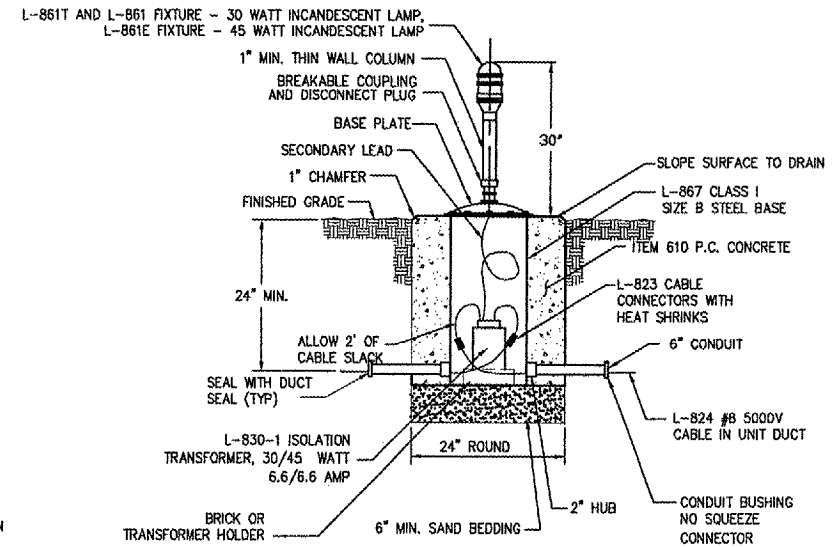
EXISTING STAKE - MOUNTED LIGHT  
L-861T



4-WAY DUCT EXTENSION DETAIL

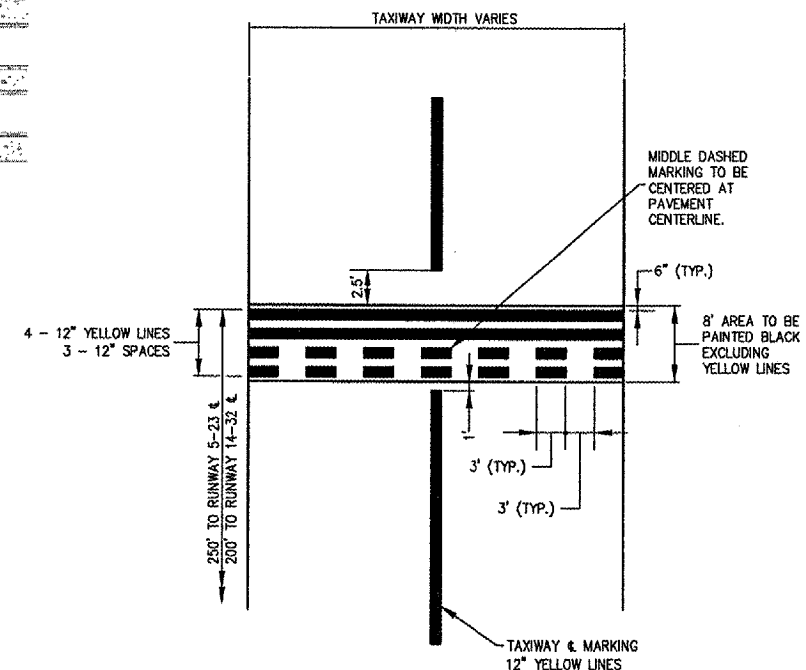


CONCRETE MARKER



1. BREAKABLE COUPLING SHALL NOT BE OVER 1" ABOVE BASE PLATE.
2. TWO FEET OF SLACK CABLE IS TO BE LEFT AT EACH LIGHT. SLACK IS TO BE ON THE CABLE SIDE OF PRIMARY CONNECTORS AND SPLICES AND IS TO BE INCIDENTAL TO THE CABLE.
3. SEE SPECIAL PROVISIONS FOR ADDITIONAL REQUIREMENTS.

EXISTING BASE - MOUNTED LIGHT  
L-861T



NOTES:

1. HOLDING POSITION MARKINGS TO BE YELLOW, WATERBORNE WITH REFLECTIVE BEADS AND PAID UNDER ITEM AR620520.
2. HOLDING POSITION MARKINGS TO HAVE BLACK BORDER AND PAID UNDER ITEM AR620525.

HOLDING POSITION MARKING

No.	Drawing Issue	Description	Date	By

Date  
JANUARY 11, 2008  
Sheet Title

LIGHT ADJUSTMENT AND MARKING DETAILS

07A0102	Project Number
LDH	12/11/07
LDH	12/11/07
LDH	12/11/07
RMH	01/08/08
LDH	