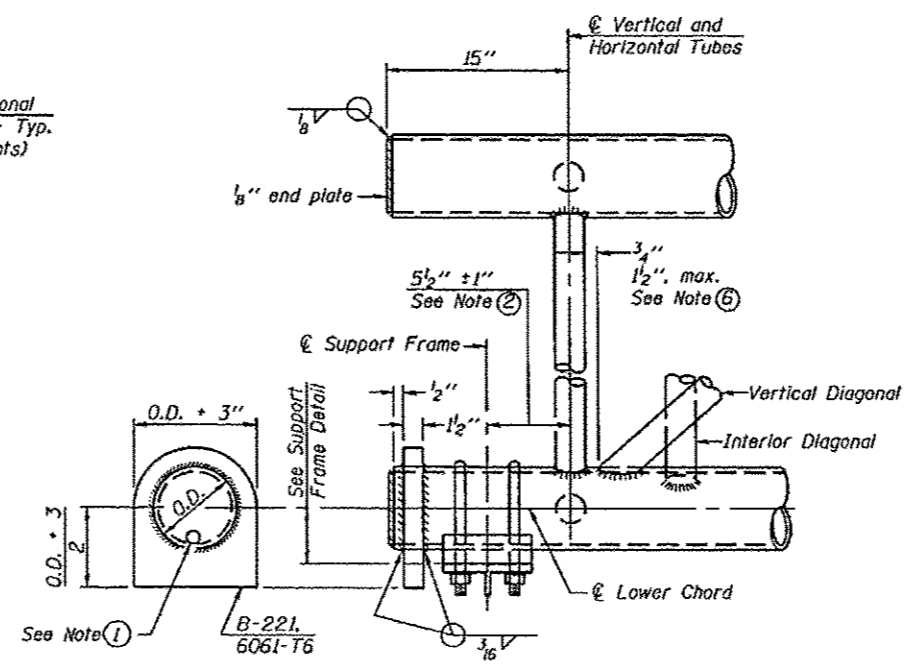
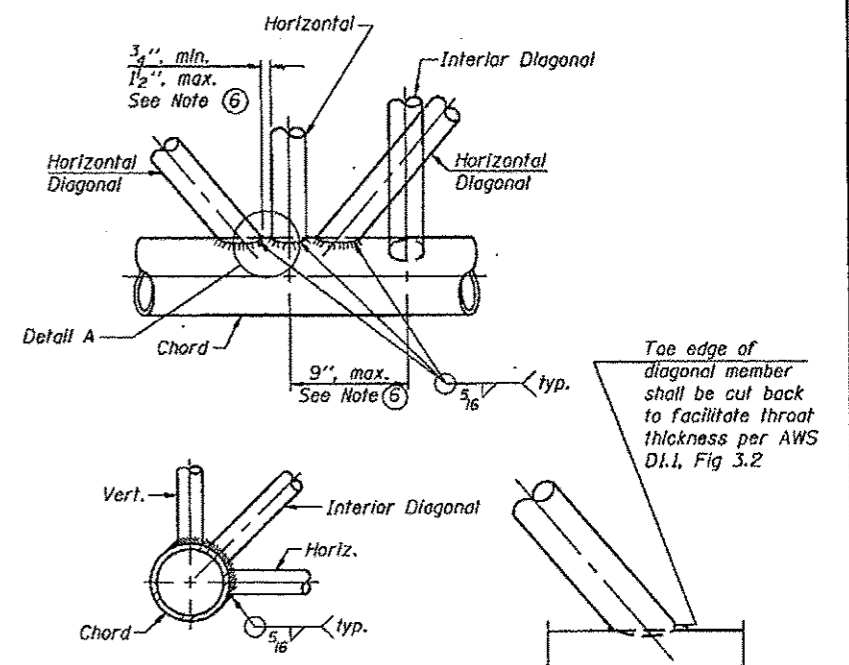


ELEVATION
TYPICAL INTERIOR UNIT
 Even number of panels/interior unit required.

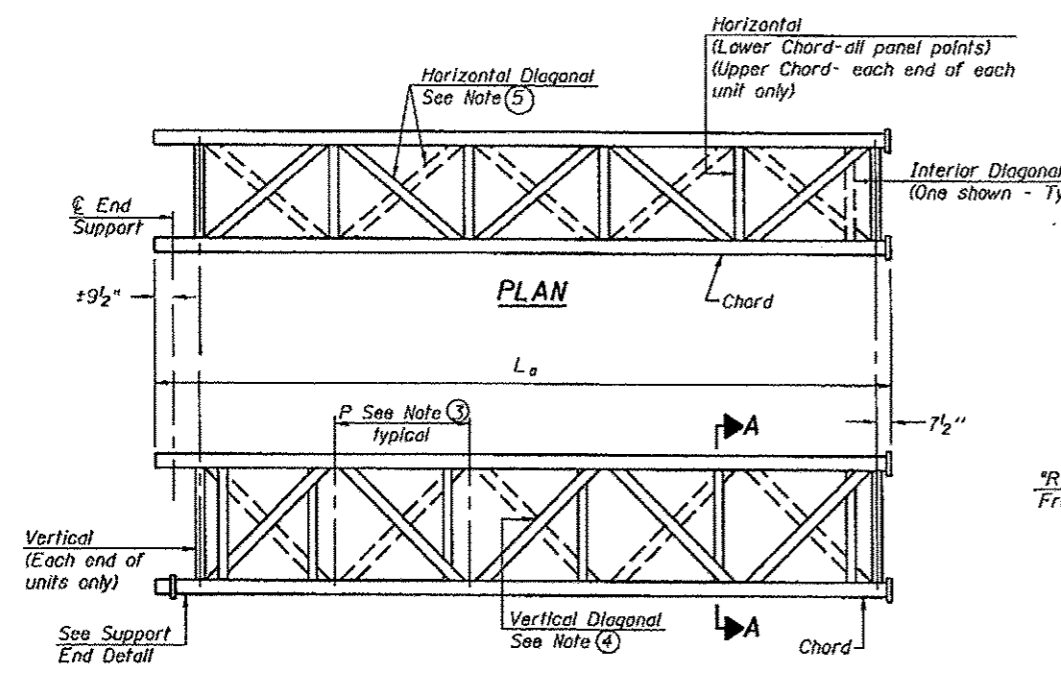


SUPPORT END DETAIL FOR EXTERIOR UNIT

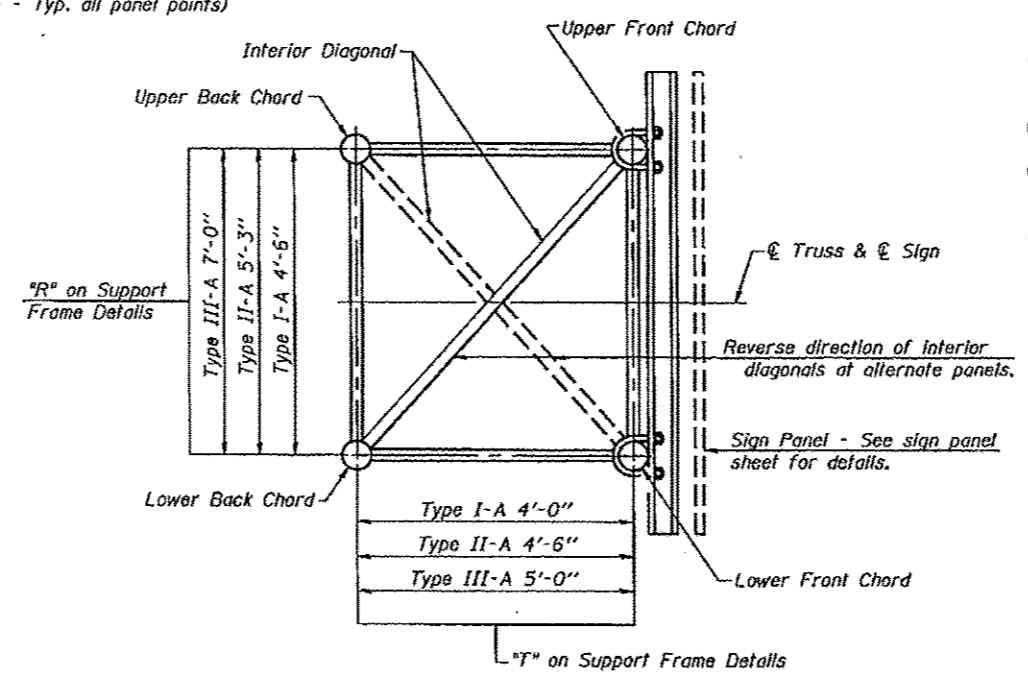


TYPICAL JOINT DETAILS

DETAIL A



ELEVATION
TYPICAL EXTERIOR UNIT
 Even or odd number of panels/exterior units allowed.



SECTION A-A

- ① Contractor may alternatively use standard aluminum drive-fit cap to close end. 1/2" ϕ drain hole in end plate/drive-fit cap. (Typ. at ends of all chords)
- ② 5 1/2" end dimension may vary by $\pm 1"$ to provide uniform panel spacing (P).
- ③ Panel spacing (P) shall be uniform for entire truss and between 4'-0" and 5'-0" for Type I-A or 4'-0" and 5'-6" for Types II-A and III-A.
- ④ Vertical Diagonals in front and back face shall alternate.
- ⑤ Hidden lines show wind bracing alternates direction between planes of top and bottom chords.
- ⑥ All diagonals shall be detailed for minimum offset from the panel point based on the following: Offset shall be such as to provide a 3/4" minimum to 1 1/2" maximum clearance between any diagonal and any horizontal or vertical member, and to provide clearance for U-bolt connections of signs or walkway brackets.

OS-A-2

6-1-12

FILE NAME =	USER NAME = p120hett1	DESIGNED -	REVISED -
of:\p120hett1\p120hett1\0334584\	gn_structures2813-eh1-pln.dgn	DRAWN -	REVISED -
Default	PLOT SCALE = 100.0000 / 1"	CHECKED -	REVISED -
	PLOT DATE = 2/28/2013	DATE -	REVISED -

STATE OF ILLINOIS
DEPARTMENT OF TRANSPORTATION

OVERHEAD SIGN STRUCTURES - ALUMINUM TRUSS
DETAILS FOR TRUSS TYPES I-A, II-A AND III-A

SCALE: SHEET OF SHEETS STA. TO STA.

*VARIOUS ROUTES				
F.A.J. RTE.	SECTION	COUNTY	TOTAL SHEETS	SHEET NO.
* 09 OVD SIN STR REPL13-11		VARIOUS	29	9
CONTRACT NO. 46227				
ILLINOIS FED. AID PROJECT				