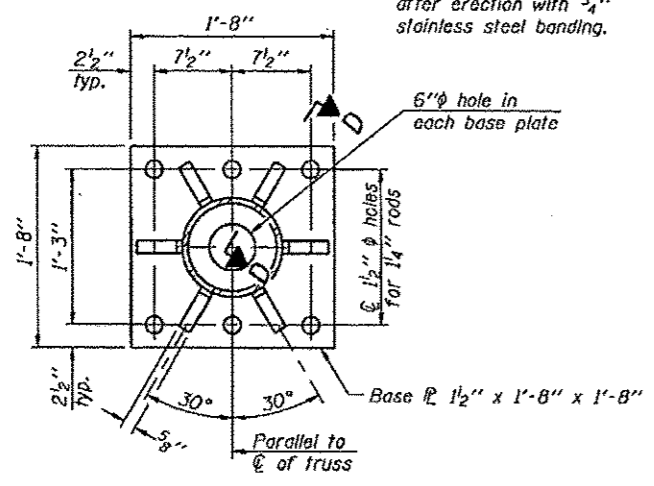


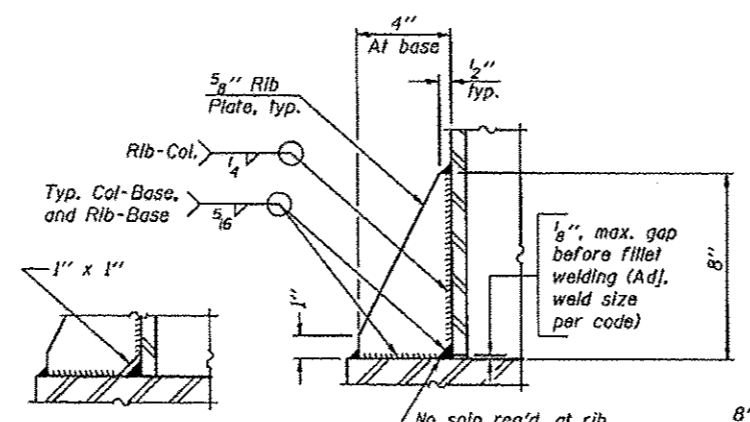
DETAIL B

Ribs shall be cut to fit slope of pipe.

Stainless Steel Standard Grade Wire Cloth, 3" wide, 1/4" maximum opening with a minimum wire diameter of AWG. No. 16 with a minimum 2" lap. Secure to base plate after erection with 3/4" stainless steel banding.



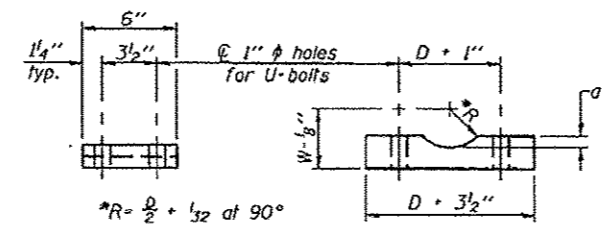
SECTION B-B



SECTION D-D

** Alternate detail if welding col. to base plate first, then snip inside corner of ribs. Terminate weld on rib 1/4" from snip.

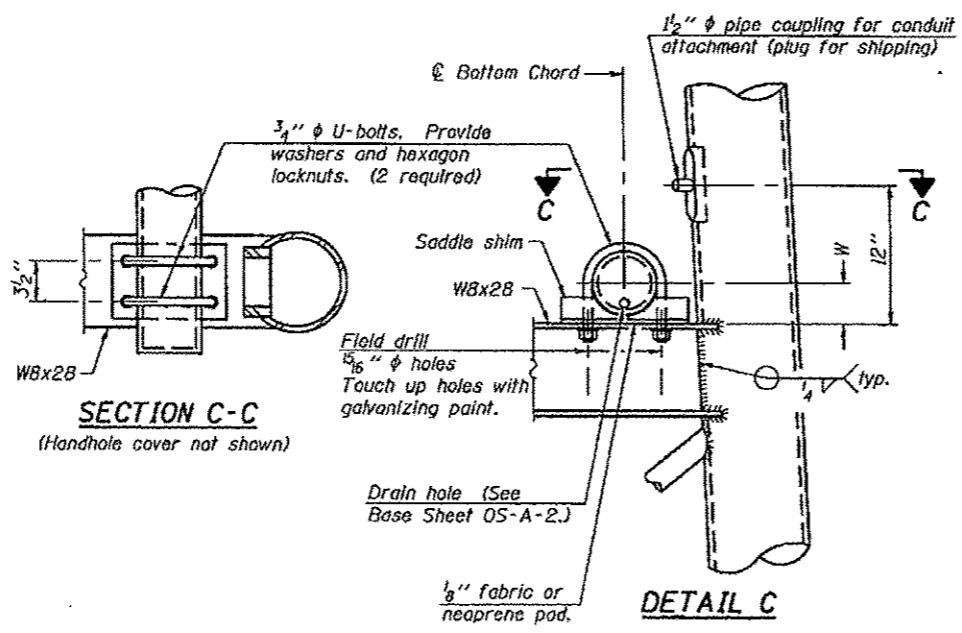
No snip req'd. at rib inside corner if placed before col. to base plate welding.



SADDLE SHIM DETAIL

ASTM B26 Alloy 356-F or ASTM B209 Alloy 6061-T651 (4 required per sign truss)

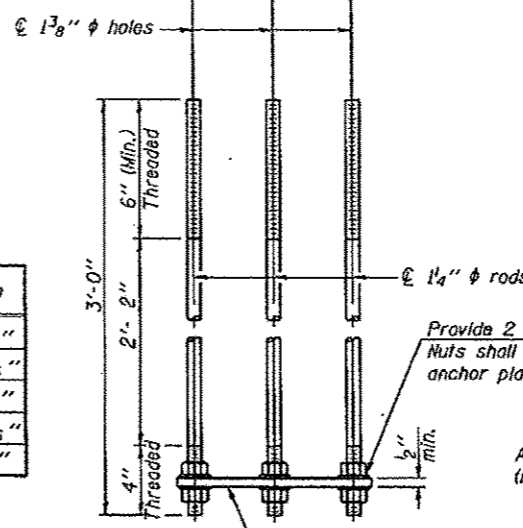
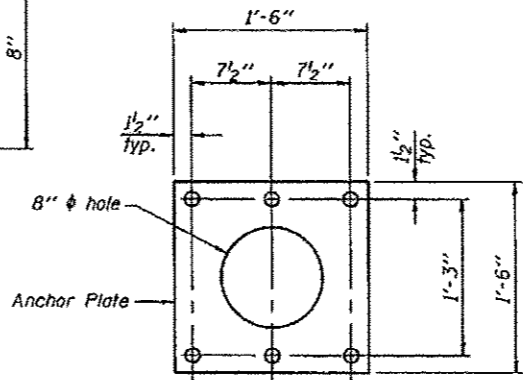
Truss Chord Nominal Dia.	a
5"	3/4"
5 1/2"	13/16"
6"	7/8"
6 1/2"	15/16"
7"	1"



SECTION C-C

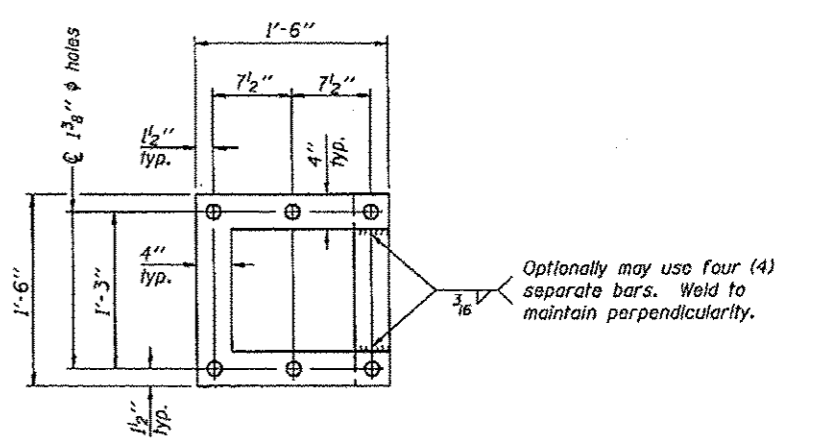
(Handhole cover not shown)

DETAIL C

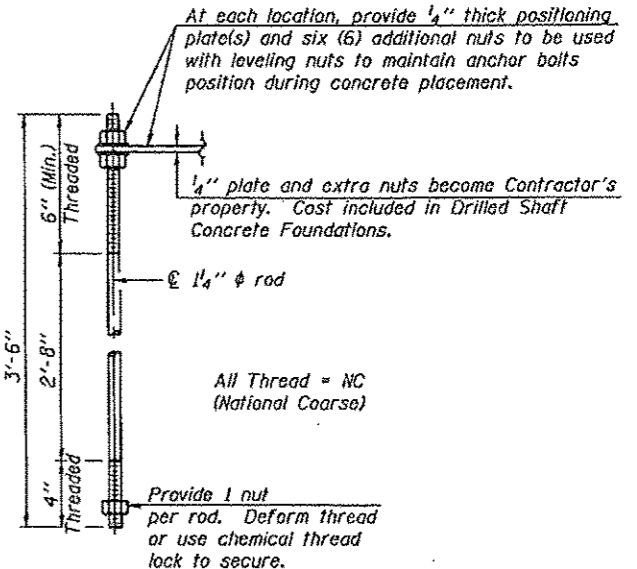


ANCHOR ROD DETAIL
Spread Footing Foundation

Anchor rods shall conform to ASTM F1554 Grade 105. Galvanize upper 12" minimum per AASHTO M232. No welding shall be permitted on rods.



POSITIONING PLATE(S)



ANCHOR ROD DETAIL
Drilled Shaft Foundation

10" Ø PIPE SUPPORT FRAME DETAILS

OS-A-6A

6-1-12

FILE NAME	USER NAME	DESIGNED	REVISED
os\pr-work\pndot\prchattell\0234584	prchattell	-	-
gn structure2013-shr.pln.dgn		DRAWN	REVISED
PLOT SCALE = 1/8" = 1'-0"		CHECKED	REVISED
Default		DATE	REVISED

STATE OF ILLINOIS
DEPARTMENT OF TRANSPORTATION

OVERHEAD SIGN STRUCTURES			
SUPPORT FRAME DETAILS - ALUMINUM TRUSS			
SCALE:	SHEET	OF SHEETS	STA. TO STA.

VARIOUS ROUTES				
P.A.J. RTE.	SECTION	COUNTY	TOTAL SHEETS	SHEET NO.
	D9 DVD SIN STR REPL13-11	VARIOUS	29	13
				CONTRACT NO. 46227
ILLINOIS FED. AID PROJECT				