

LIGHT POLE FOUNDATION, SPECIAL

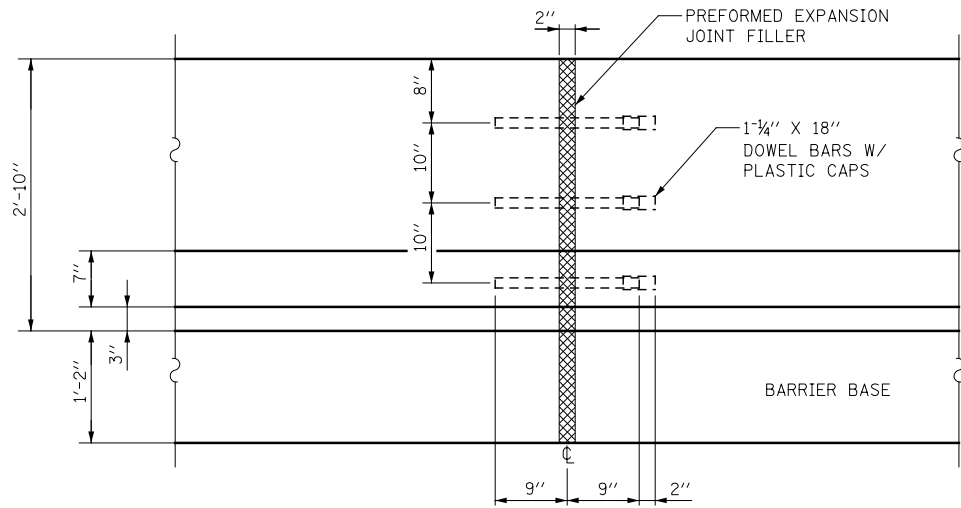
BILL OF MATERIALS

BAR	NO.	SIZE	LENGTH	SHAPE
d(E)	8	#4	8'-6"	—
d1(E)	10	#4	4'-6"	—
d2(E)	10	#5	4'-6"	J
d3(E)	10	#4	4'-4"	L
d4(E)	3	#4	8'-10"	∩
d5(E)	4	#4	2'-1"	□
CONCRETE STRUCTURES			CU YD	3.9
REINFORCEMENT BARS, EPOXY COATED			POUND	180
LIGHT POLE FOUNDATION, 30" DIAMETER			FOOT	7.0

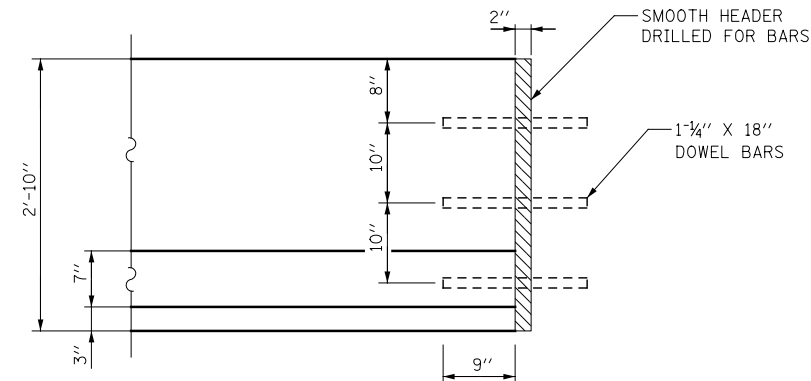
QUANTITIES ARE FOR ONE LIGHT POLE FOUNDATION, AND ARE SHOWN FOR INFORMATION ONLY. COST IS INCLUDED WITH LIGHT POLE FOUNDATION, SPECIAL.

BILL OF MATERIALS

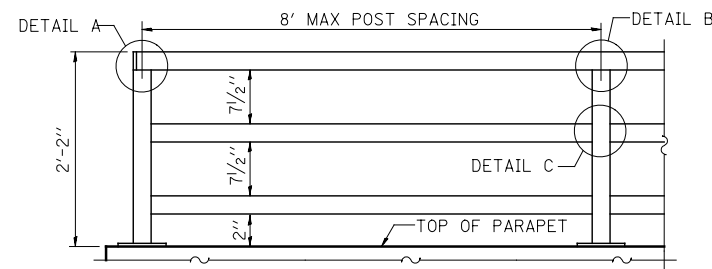
ITEM	UNIT	QUANTITY
PARAPET RAILING	FOOT	1327
CONCRETE BARRIER BASE	FOOT	1303
CONCRETE BARRIER WALL (SPECIAL)	FOOT	1303
LIGHT POLE FOUNDATION, SPECIAL	EACH	4



EXPANSION JOINT DETAIL

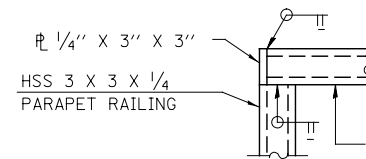


CONSTRUCTION JOINT DETAIL

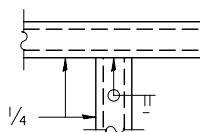


PARAPET RAILING ELEVATION

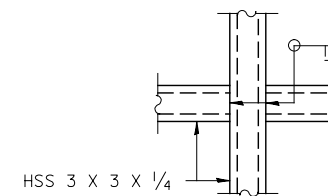
(INSIDE FACE OF THREE ELEMENT RAIL)



DETAIL A

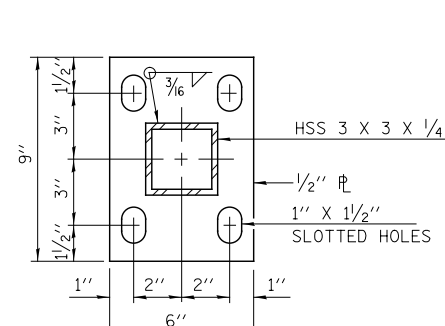


DETAIL B

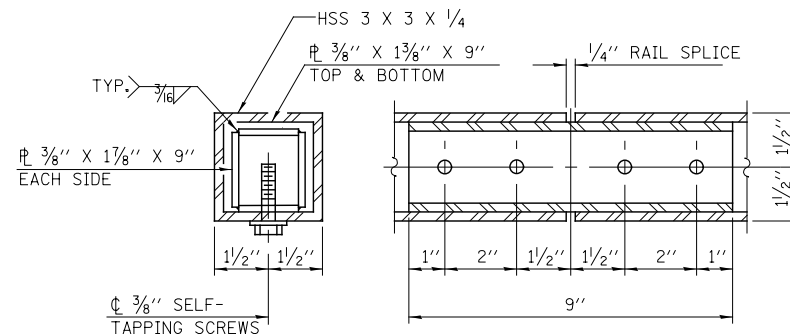


DETAIL C

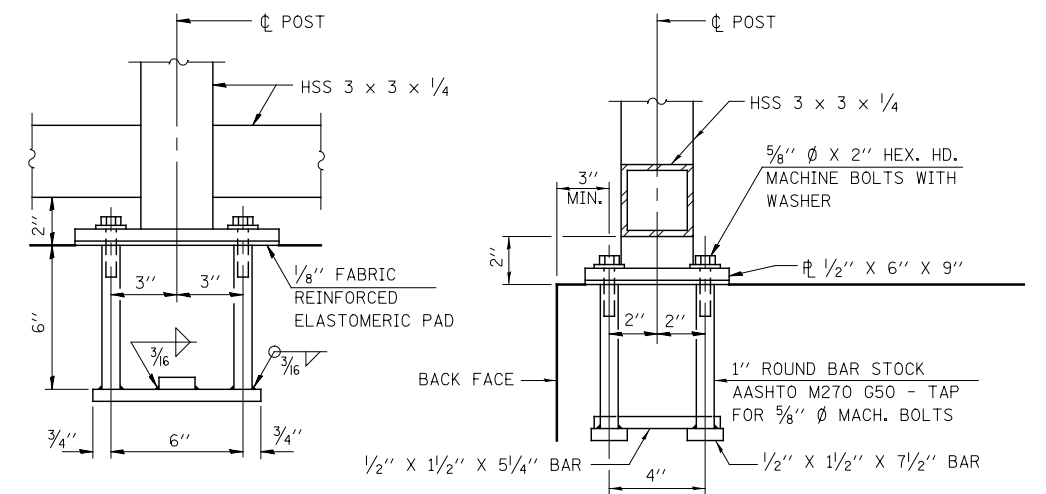
ALL STEEL RAIL ELEMENTS SHALL BE GALVANIZED ACCORDING TO ARTICLE 509.05 OF THE STANDARD SPECIFICATIONS.



BASE PLATE



RAIL SPLICE



ANCHOR BOLT DETAILS

IN LIEU OF THE CAST-IN-PLACE ANCHOR DEVICE SHOWN, THE CONTRACTOR HAS THE OPTION OF DRILLING AND SETTING 5/8" Ø ANCHOR RODS ACCORDING TO ARTICLE 509.06 OF THE STANDARD SPECIFICATIONS. EMBEDMENT SHALL BE ACCORDING TO THE MANUFACTURER'S SPECIFICATIONS.

DESIGNED	PJO	REVISED	-
DRAWN	KES	REVISED	-
CHECKED	JCM	REVISED	-
DATE	12/14/2012	REVISED	-

**STATE OF ILLINOIS
DEPARTMENT OF TRANSPORTATION**

**ROADWAY DETAILS
SINGLE FACE CONCRETE BARRIER WALL WITH PARAPET RAILING DETAILS**

SCALE: AS SHOWN SHEET NO. 2 OF 2 SHEETS STA. TO STA.

F.A.P. RTE.	SECTION	COUNTY	TOTAL SHEETS	SHEET NO.
338	(112 & 113) WRS-6	DUPAGE	734	204
DT-02			CONTRACT NO. 60R31	
ILLINOIS FED. AID PROJECT				