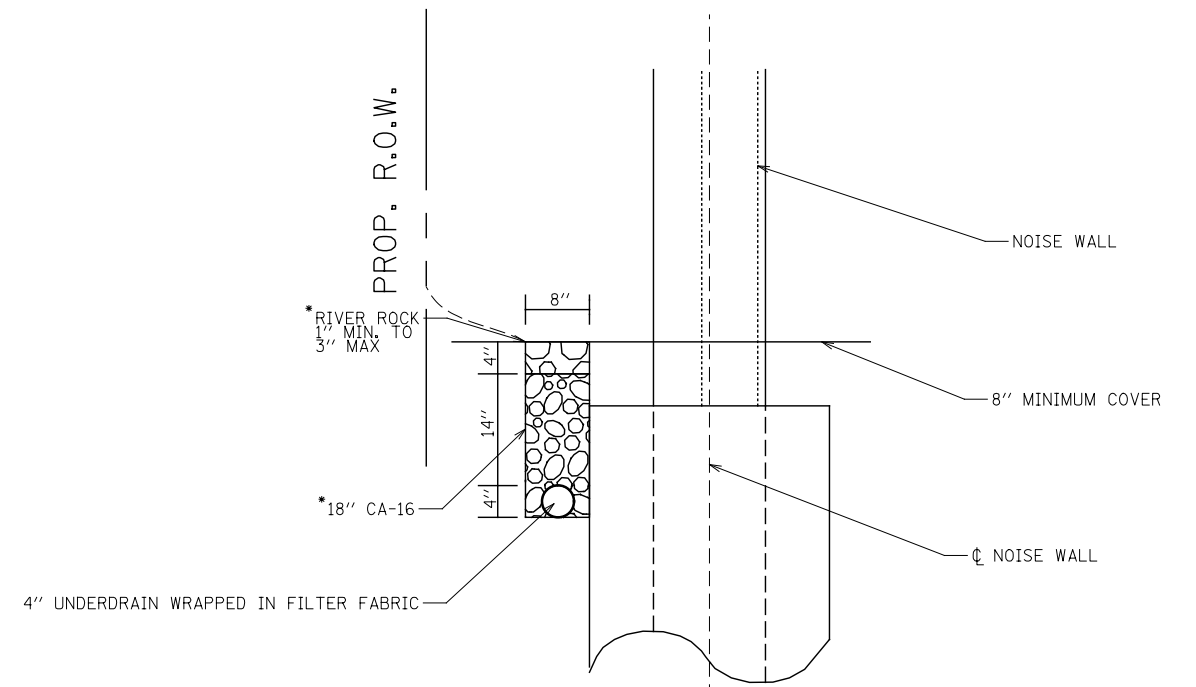
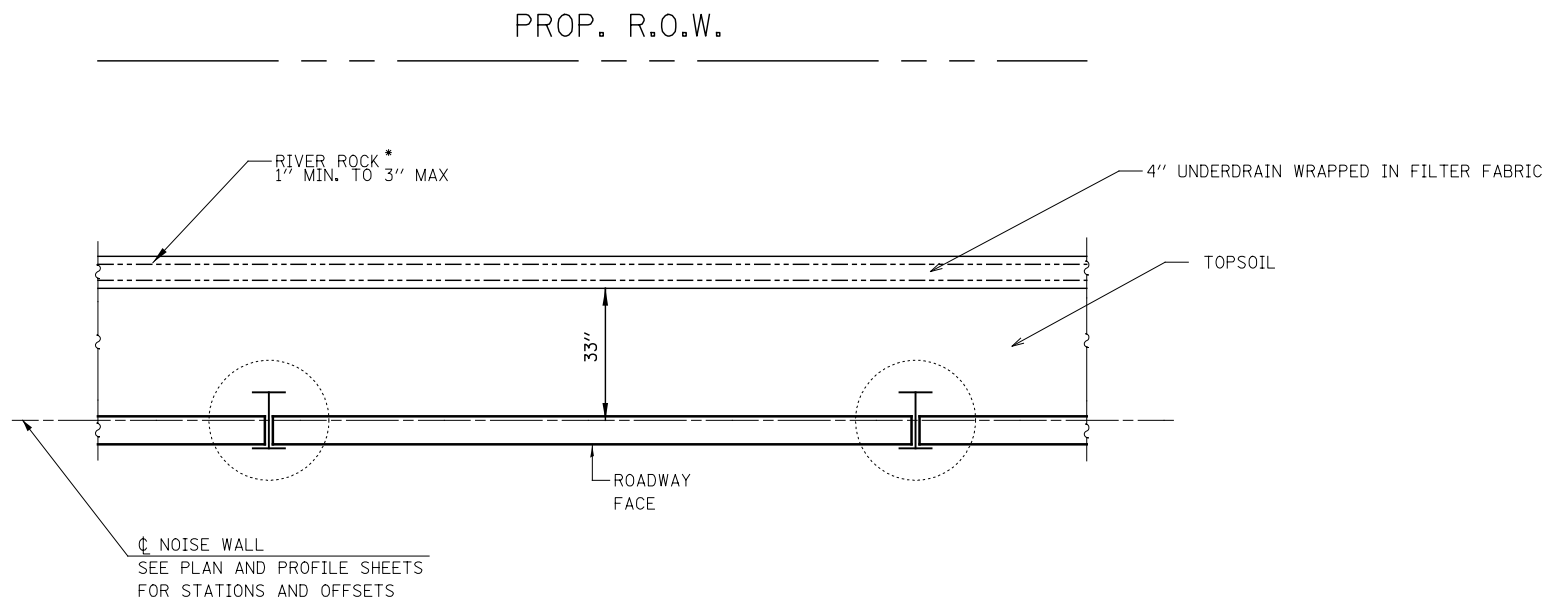


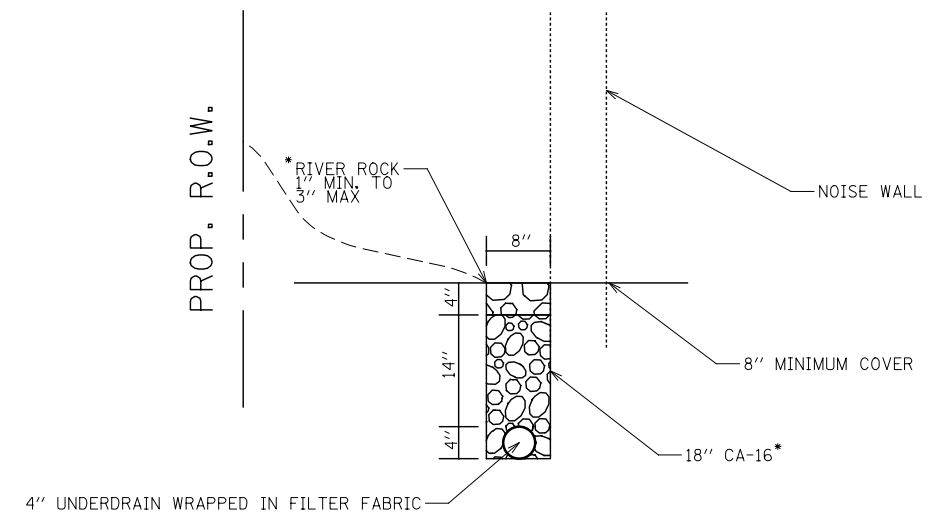
**ELEVATION: NOISEWALL #1**



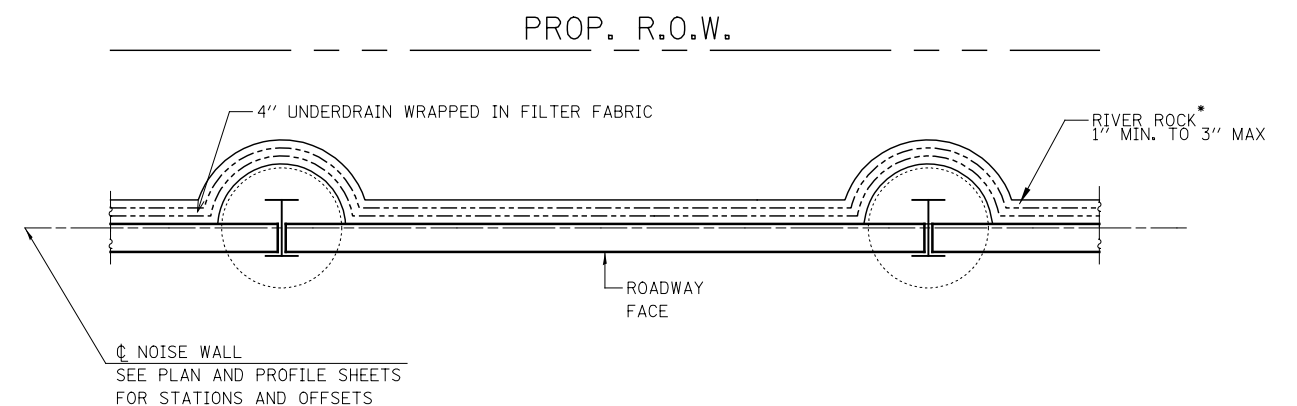
**ELEVATION: NOISEWALL #4 AT FOUNDATIONS**



**PLAN: NOISEWALL #1**



**ELEVATION: NOISEWALL #4 ALONG WALL**



**PLAN: NOISEWALL #4**

\* INCLUDED IN THE COST OF 'PIPE UNDERDRAINS 4" (MODIFIED)'

DESIGNED	PJO	REVISED	-
DRAWN	KES	REVISED	-
CHECKED	JCM	REVISED	-
DATE	12/14/2012	REVISED	-

STATE OF ILLINOIS  
DEPARTMENT OF TRANSPORTATION

NOISE WALL DETAILS - UNDERDRAIN

SCALE: AS SHOWN SHEET NO. 2 OF 2 SHEETS STA. TO STA.

F.A.P. RTE.	SECTION	COUNTY	TOTAL SHEETS	SHEET NO.
338	(112 & 113) WRS-6	DUPAGE	734	214
CONTRACT NO. 60R31				

ILLINOIS FED. AID PROJECT