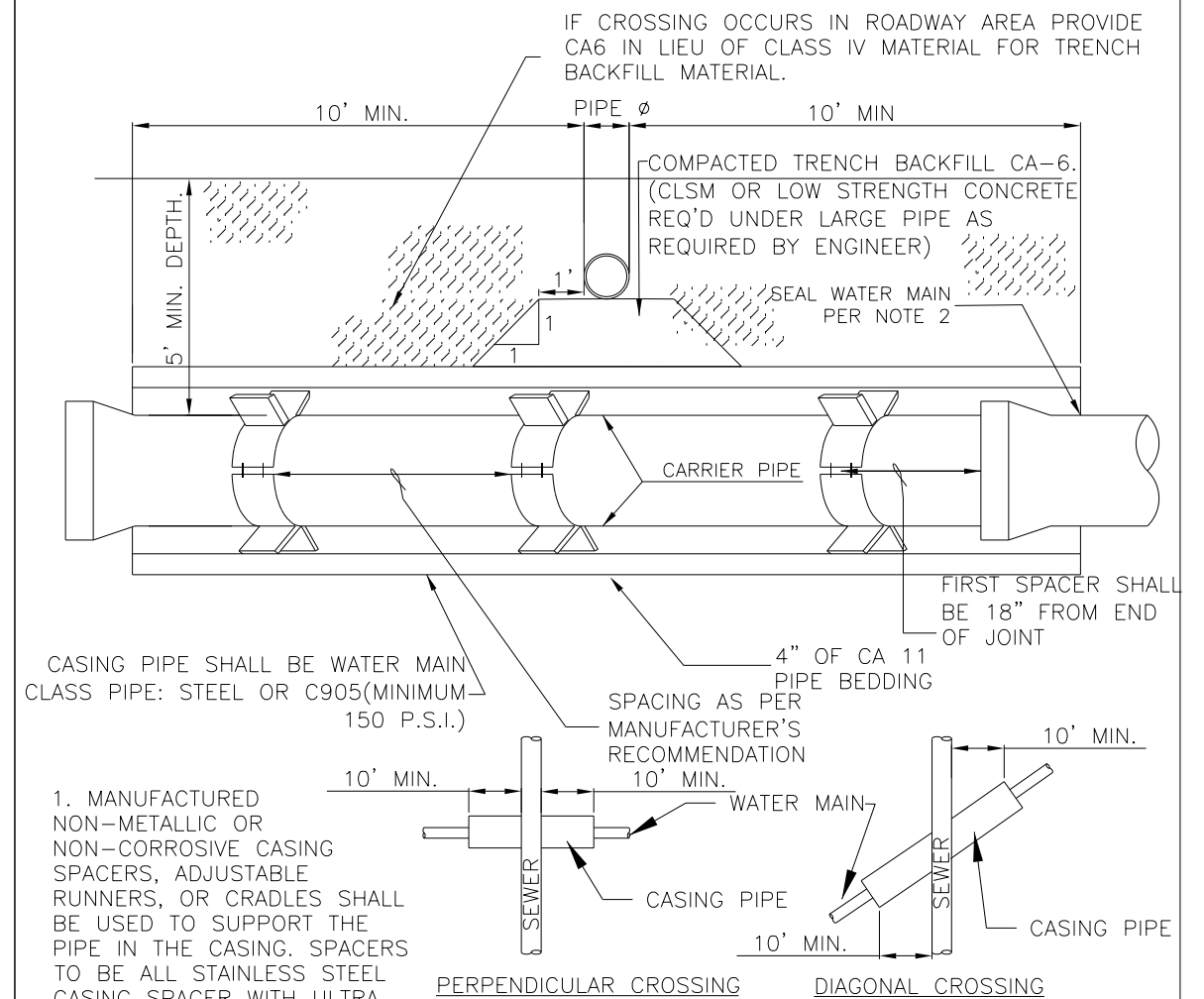


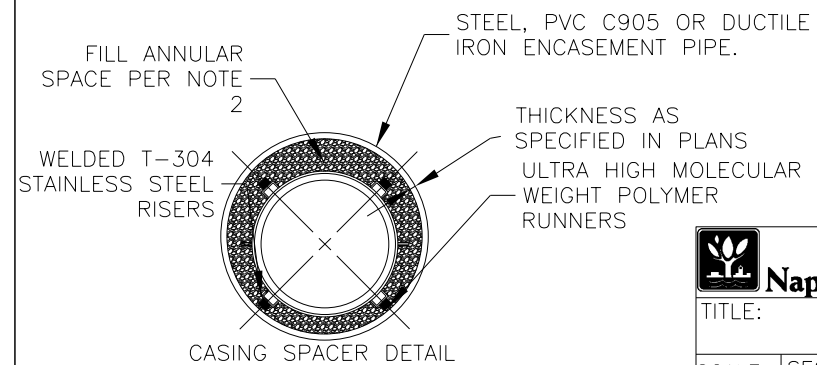
NOTE:
NEW STORM SEWER INSTALLATION SHALL BE GASKETED STRUCTURE TO STRUCTURE

		CITY OF NAPERVILLE DEPARTMENT OF WATER	
TITLE: WATER MAIN PROTECTION FROM EXISTING STORM SEWER PIPE			
SCALE: NTS	SECTION 500: ARTICLE 503.2	DATE: 10-01-12	WATER 13



1. MANUFACTURED NON-METALLIC OR NON-CORROSIVE CASING SPACERS, ADJUSTABLE RUNNERS, OR CRADLES SHALL BE USED TO SUPPORT THE PIPE IN THE CASING. SPACERS TO BE ALL STAINLESS STEEL CASING SPACER WITH ULTRA HIGH MOLECULAR WEIGHT POLYMER BEARING SURFACE; CASCADE WATERWORKS PART NO. CCS OR APPROVED EQUAL, AND TO BE SPACED PER MANUFACTURERS SPECIFICATIONS.

2. THE ANNULAR SPACE SHALL BE COMPLETELY FILLED WITH PEA GRAVEL OR CELLULAR FOAM GROUT, AS REQUIRED BY PERMITTING AGENCY, AND PROVISIONS SHALL BE MADE SO THAT NO VOIDS ARE LEFT. THE CASING PIPE MUST BE SEALED AT END WITH DOUBLE SOLID CONCRETE BRICK AND MORTAR OR POURED CONCRETE 8" IN THICKNESS.



		CITY OF NAPERVILLE DEPARTMENT OF WATER	
TITLE: CASING PIPE DETAIL			
SCALE: NTS	SECTION 500: ARTICLE 502.4	DATE: 10-01-12	WATER 14

DESIGNED	PJO	REVISED	-
DRAWN	KES	REVISED	-
CHECKED	JCM	REVISED	-
DATE	12/14/2012	REVISED	-

STATE OF ILLINOIS
DEPARTMENT OF TRANSPORTATION

WATER MAIN STANDARD DRAWINGS
CITY OF NAPERVILLE

SCALE: NONE SHEET NO. 7 OF 7 SHEETS STA. TO STA.

F.A.P. RTE.	SECTION	COUNTY	TOTAL SHEETS	SHEET NO.
338	(112 & 113) WRS-6	DUPAGE	734	329
WAT STD-7			CONTRACT NO. 60R31	
ILLINOIS FED. AID PROJECT				