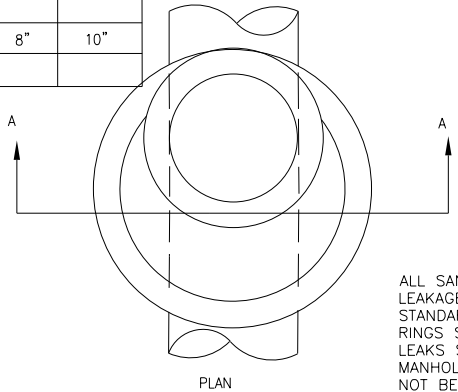


MANHOLE DEPTH	≤12'	>12'
t	8"	10"

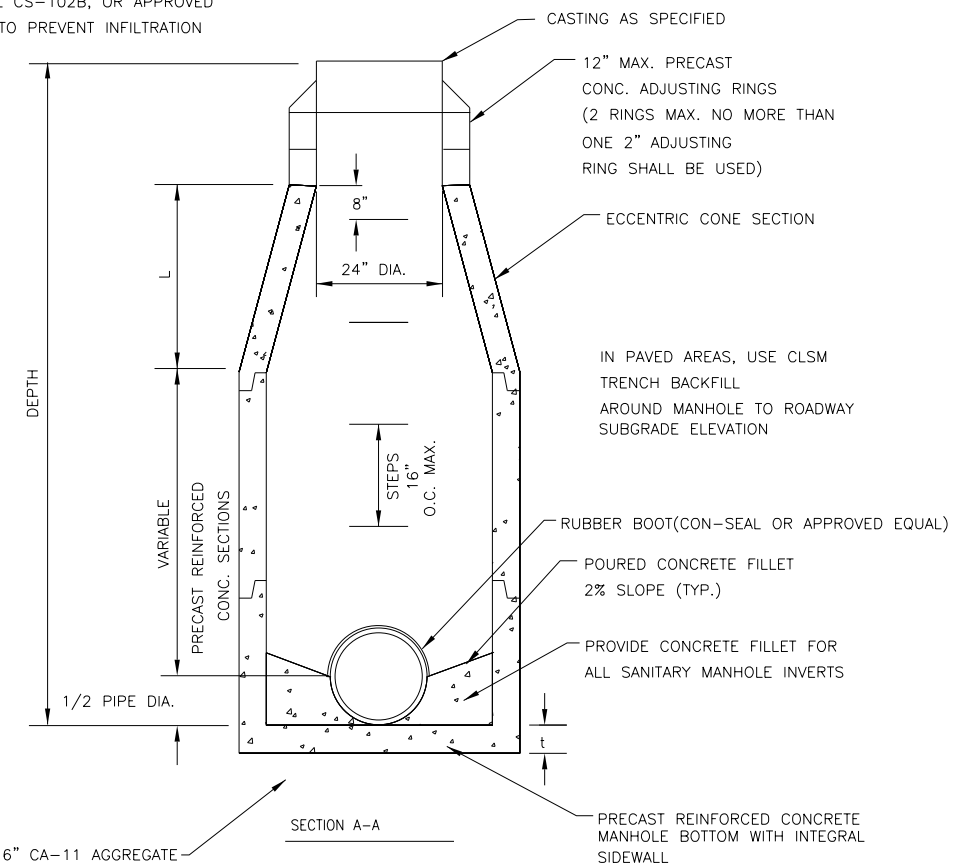
  

Inside M.H. Dia.	48"	60"
Pipe Dia.	≤21"	>21"
Wall Thickness	5"	6"
Ecc. Cone Sec.(L)	2'-6"	3'-9"

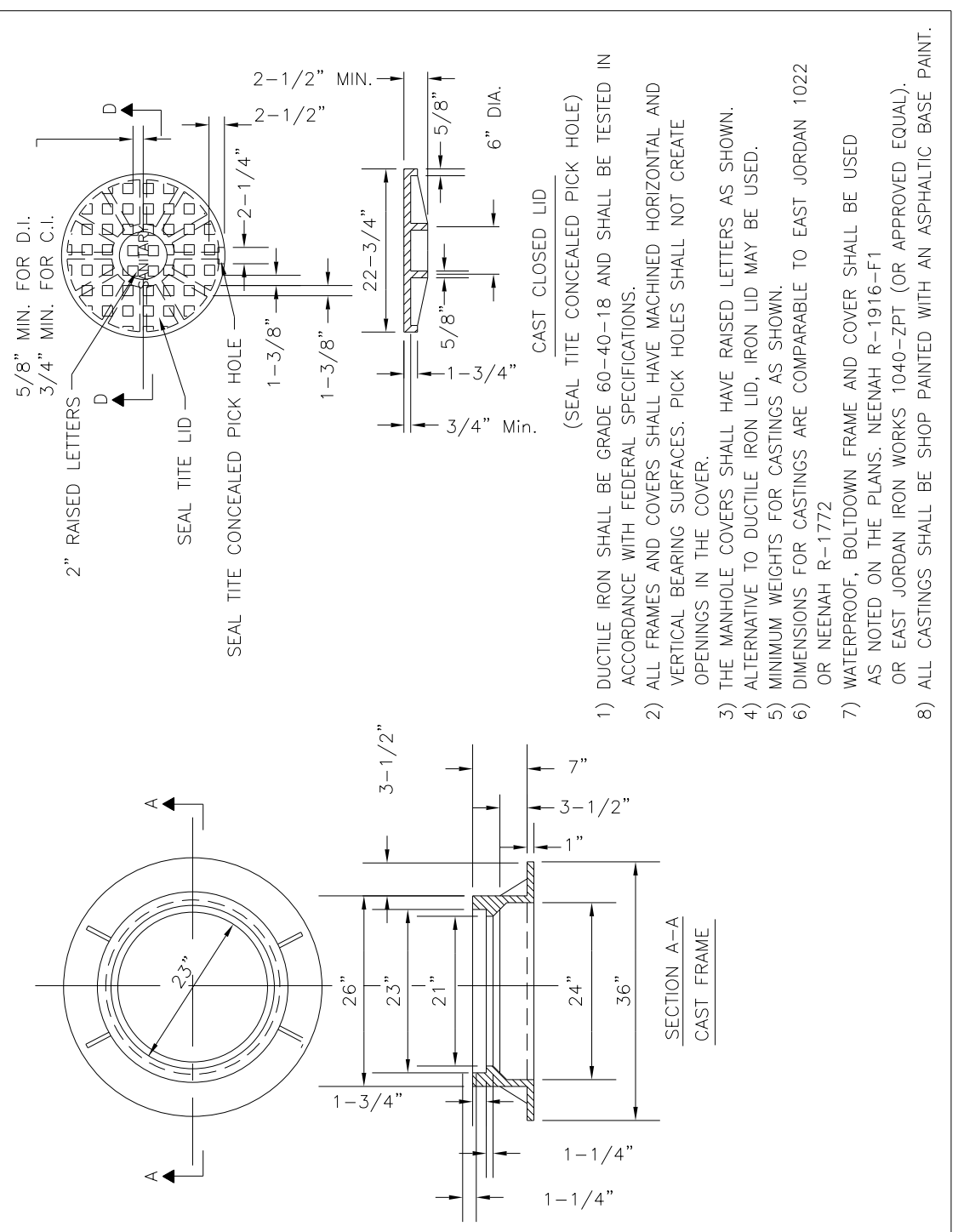


ALL SANITARY MANHOLES SHALL BE TESTED FOR LEAKAGE BY VACUUM TESTING PER CITY STANDARDS. THE MANHOLE FRAME AND ADJUSTING RINGS SHALL BE IN PLACE WHEN TESTING. ANY LEAKS SHALL BE REPAIRED FROM EXTERIOR MANHOLE - PATCHING INSIDE OF MANHOLE SHALL NOT BE ACCEPTABLE.

AT EACH JOINT, APPLY A CONTINUOUS LAYER OF NON-HARDENING PREFORMED BITUMINOUS MASTIC MATERIAL, CONSEAL CS-102B, OR APPROVED EQUAL, TO PREVENT INFILTRATION



Title: SANITARY SEWER MANHOLE		CITY OF NAPERVILLE STANDARD DETAIL	
Approved By:	DATE: 4/06/11	REV:	Detail: SAN 1
	SCALE: NTS		



Title: SANITARY MANHOLE FRAME & COVER		CITY OF NAPERVILLE STANDARD DETAIL	
Approved By:	DATE: 4/06/11	REV:	Detail: SAN 3
	SCALE: NTS		

- 1) DUCTILE IRON SHALL BE GRADE 60-40-18 AND SHALL BE TESTED IN ACCORDANCE WITH FEDERAL SPECIFICATIONS.
- 2) ALL FRAMES AND COVERS SHALL HAVE MACHINED HORIZONTAL AND VERTICAL BEARING SURFACES. PICK HOLES SHALL NOT CREATE OPENINGS IN THE COVER.
- 3) THE MANHOLE COVERS SHALL HAVE RAISED LETTERS AS SHOWN.
- 4) ALTERNATIVE TO DUCTILE IRON LID, IRON LID MAY BE USED.
- 5) MINIMUM WEIGHTS FOR CASTINGS AS SHOWN.
- 6) DIMENSIONS FOR CASTINGS ARE COMPARABLE TO EAST JORDAN 1022 OR NEENAH R-1772
- 7) WATERPROOF, BOLTDOWN FRAME AND COVER SHALL BE USED AS NOTED ON THE PLANS. NEENAH R-1916-F1 OR EAST JORDAN IRON WORKS 1040-ZPT (OR APPROVED EQUAL).
- 8) ALL CASTINGS SHALL BE SHOP PAINTED WITH AN ASPHALTIC BASE PAINT.

DESIGNED	PJO	REVISED	-
DRAWN	KES	REVISED	-
CHECKED	JCM	REVISED	-
DATE	12/14/2012	REVISED	-

STATE OF ILLINOIS  
DEPARTMENT OF TRANSPORTATION

SANITARY SEWER STANDARD DRAWINGS  
SCALE: AS SHOWN SHEET NO. 1 OF 3 SHEETS STA. TO STA.

F.A.P. RTE.	SECTION	COUNTY	TOTAL SHEETS	SHEET NO.
338	(112 & 113) WRS-6	DUPAGE	734	332
SAN STD-1			CONTRACT NO. 60R31	
ILLINOIS FED. AID PROJECT				