

**METER TROUGH WITH MAIN DISCONNECT FACTORY INSTALLED**

(SEE CONSTRUCTION NOTE 4)

**CUSTOMER FURNISHES, INSTALLS AND MAINTAINS**

1. IDOT ELECTRIC SERVICE GROUND MOUNTED CABINET
2. METER TROUGH: A DEVICE THE METER PLUGS INTO WITH A REMOVABLE UPPER PROTECTIVE COVER.
3. DISCONNECTING MEANS: THE FACTORY INSTALLED MAIN DISCONNECT WITH PAD LOCK INSTALLED.
4. DRIVEN GROUND: A SAFETY CONNECTION TO PROVIDE AN ELECTRICAL PATH TO EARTH (8' x 5/8" COPPER CLAD). SEE CHART BELOW.
5. ELECTRICAL SERVICE WIRE (CONTRACTOR INSTALLED) PER NEC REQUIREMENTS.

NOTE: ALL HARDWARE MUST BE 3/8" GALVANIZED OR STAINLESS STEEL (NO ZINC ALLOWED).

**DPU-E FURNISHES, INSTALLS, AND MAINTAINS**

6. METER: A DEVICE THAT MEASURES THE AMOUNT OF ELECTRICITY USED BY A CUSTOMER.

**COPPER EXTERNAL GROUNDING WIRE SIZES**

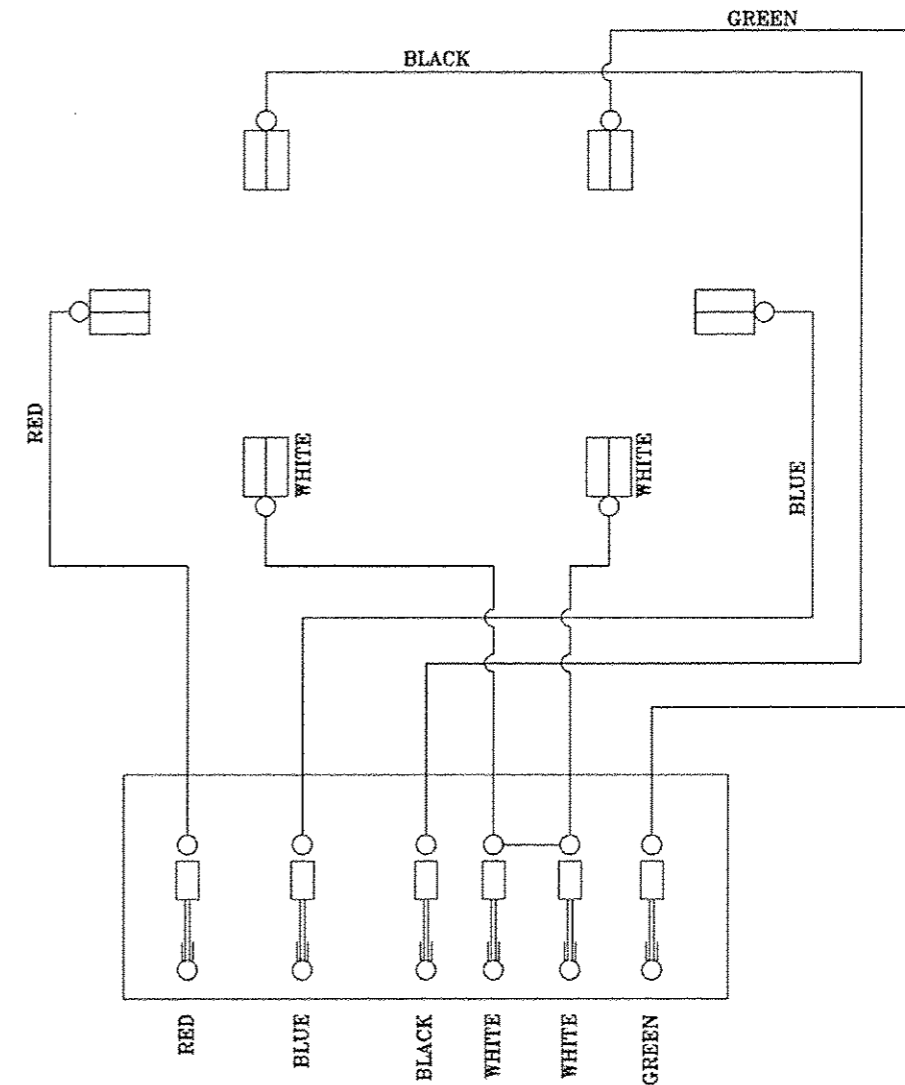
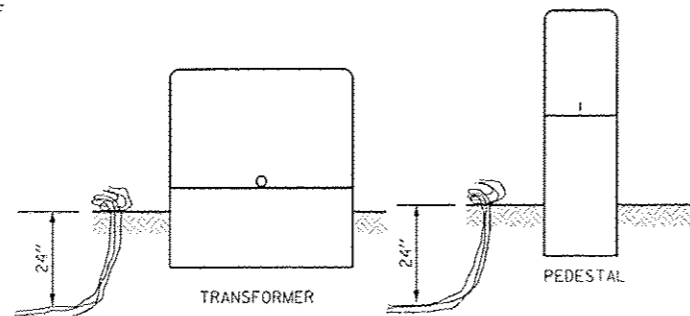
60-100AMP	#8
150AMP	#6
200AMP	#4

**COPPER SERVICE ENTRANCE WIRE SIZES**

60AMP	#6
100AMP	#3
150AMP	1/0
200AMP	3/0

**RULES FOR CONNECTING TO DPU-E EQUIPMENT**

- A. SERVICE MUST BE TRENCHED IN AT A DEPTH OF 24" AND A TRENCH INSPECTION MUST BE DONE BEFORE BACKFILL IS COMPLETED (CALL 630-420-6082) TO SCHEDULE AN INSPECTION WITH TED).
- B. AN 8' COIL OF WIRE MUST BE LEFT AS CLOSE TO THE SIDE OF THE TRANSFORMER OR PEDESTAL AS POSSIBLE FOR DPU-E TO CONNECT.
- C. NO GROUND WIRES ARE ALLOWED IN DPU-E EQUIPMENT.
- D. METER TROUGH TO BE LOCATED 5'-15' FROM DPU-E POINT OF ATTACHMENT.
- E. METER TROUGH ASSEMBLY SHALL BE AT LEAST 5' FROM EXCAVATION.
- F. MAY BE USED FOR TEMPORARY ELECTRIC SERVICE.



**NOTES:**

1. HEIGHT TO CENTER OF METER MUST BE BETWEEN 40"-60".
2. METER SOCKET MUST BE LABELED WITH ADDRESS (INCLUDING SUITE #) WITH 1" PERMANENT LABELS (NO MARKER).
3. 1" CONTINUOUS CONDUIT (NO CONDULETS) FROM TRANSFORMER CABINET TO METER SOCKET.

NAPERVILLE PUBLIC UTILITIES DEPARTMENT	METER SOCKET FOR INSTRUMENT TRANSFORMER INSTALLATIONS	DATE: 06-24-04
ELECTRIC STANDARDS	1Ø, 3 WIRE, 6 TERMINAL OVER 200A	

**CONSTRUCTION NOTES**

1. THE ELECTRIC METER TROUGH AND ELECTRIC METER SOCKET SHALL BE SUPPLIED AND INSTALLED BY THE CONTRACTOR. THE ELECTRIC METER TROUGH AND ELECTRIC METER SOCKET SHALL BE IN ACCORDANCE WITH NAPERVILLE ELECTRIC'S REQUIREMENTS. THE CONTRACTOR SHALL BE RESPONSIBLE FOR COORDINATION WITH NAPERVILLE ELECTRIC FOR THESE ITEMS PRIOR TO ORDERING OR INSTALLING METERING EQUIPMENT.
2. NAPERVILLE ELECTRIC WILL SUPPLY THE ELECTRIC METER TO BE INSTALLED BY THE CONTRACTOR.
3. CONTRACTOR SHALL SUBMIT SHOP DRAWINGS FOR THE SUPPORTS AND ATTACHMENT PLANS FOR APPROVAL BY THE ENGINEER. THE ELECTRIC METER HOUSING SHALL BE INSTALLED FLUSH WITH THE TOP OF THE ELECTRIC SERVICE GROUND MOUNT CABINET.

4. ALL WORK SHOWN IN THIS DETAIL SHALL BE INCLUDED IN THE CONTRACT UNIT PRICE FOR SERVICE INSTALLATION - GROUND MOUNTED.

DESIGNED: PJO	REVISED - ADDENDUM A 02/22/2013	<b>STATE OF ILLINOIS DEPARTMENT OF TRANSPORTATION</b>	<b>NAPERVILLE ELECTRIC METERED SERVICE DETAILS</b>	F.A.P. RTE.	SECTION	COUNTY	TOTAL SHEETS	SHEET NO.	
DRAWN: RES	REVISED -			338	(112 & 113) WRS-6	DUPAGE	734	422	
CHECKED: JCM	REVISED -			<b>TS-42</b>		<b>CONTRACT NO. 60R31</b>			
DATE: 12/14/2012	REVISED -			ILLINOIS FED. AID PROJECT					