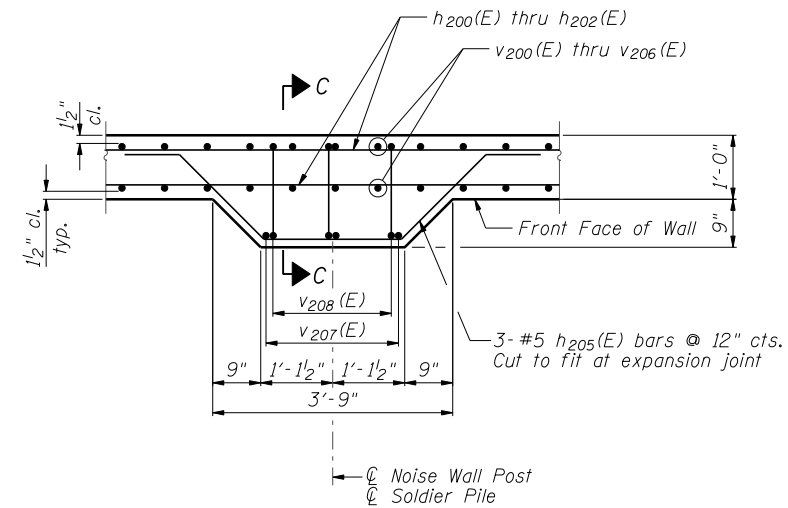
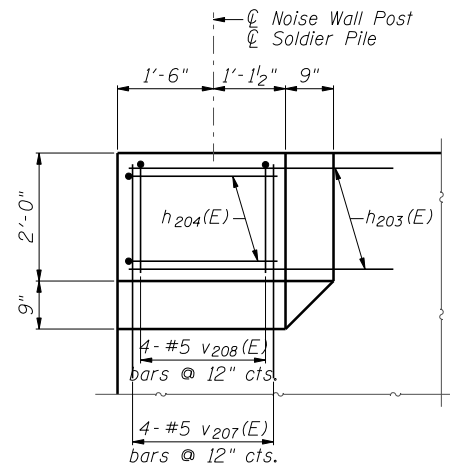


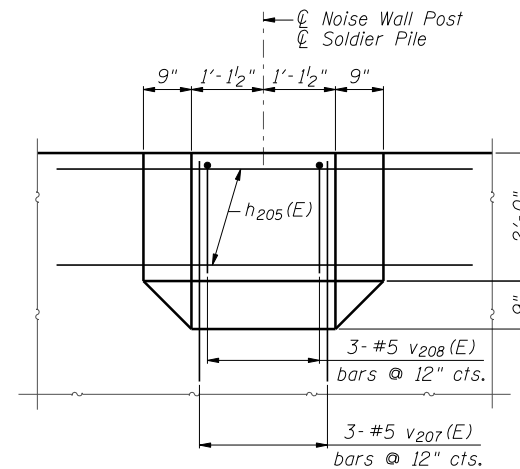
PLAN
(2 Locations)



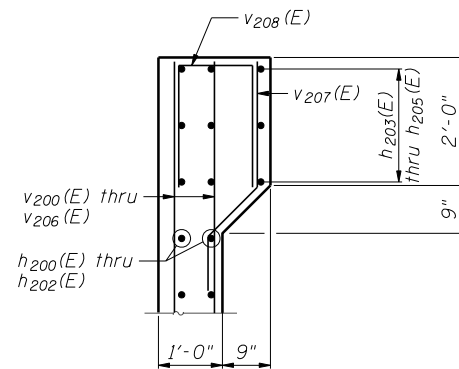
PLAN
(21 Locations)



PILASTER A



PILASTER B



SECTION C-C

Notes:
See Sheet SB-7 for Bill of Material.
See Sheets SB-6 and SB-7 for pilaster spacing.

FILE NAME = ...60R31-W049-008-PilasterDetails.dgn



Zroka Engineering, P.C.
4216 North Hermitage
Chicago, IL 60613

DESIGNED - JLA	REVISED -
CHECKED - LAS	REVISED -
DRAWN - SAW	REVISED -
CHECKED - JLA	REVISED -
SCALE - NONE	
DATE - 12/14/2012	

STATE OF ILLINOIS
DEPARTMENT OF TRANSPORTATION

PILASTER & DETAILS
STA. 3998 + 14.82 TO STA. 4000 + 80.06 SN 022-W049

SHEET NO. SB-8 OF SB-10 SHEETS

F.A.P. RTE.	SECTION	COUNTY	TOTAL SHEETS	SHEET NO.
338	(112 & 113) WRS-6	DUPAGE	734	506
CONTRACT NO. 60R31				
ILLINOIS FED. AID PROJECT				