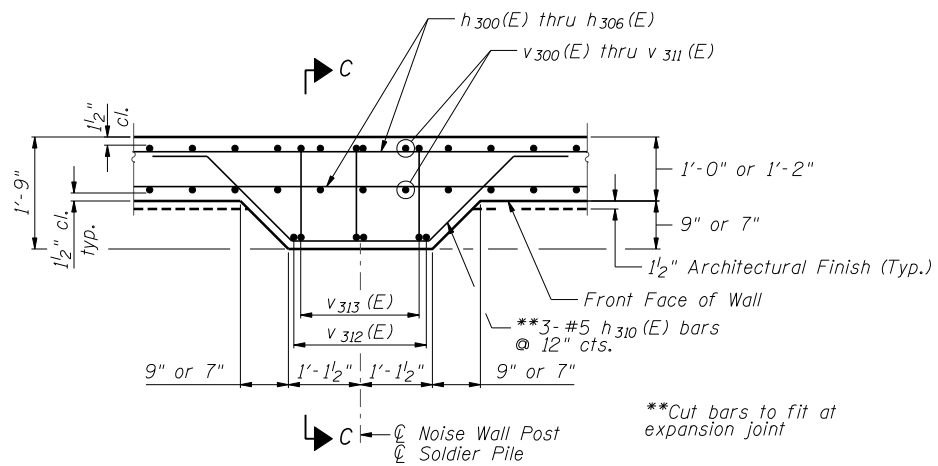


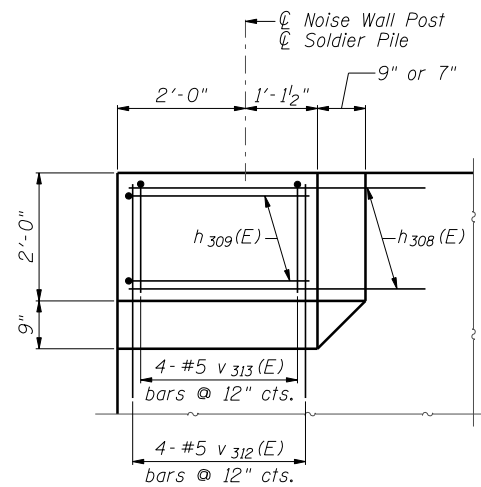
PLAN
(2 Locations)



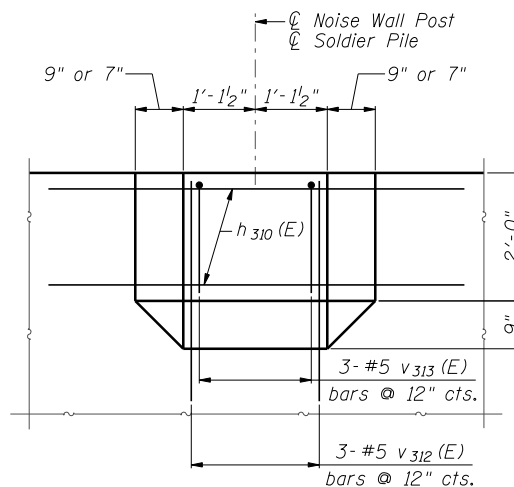
PLAN
(23 Locations)

Notes:

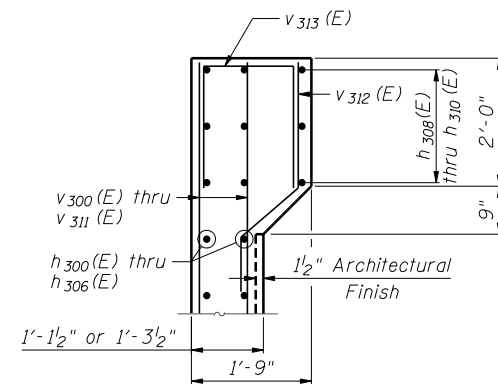
See Sheet SC-7 for Bill of Material.
See Sheets SC-6 and SC-7 for pilaster spacing.
See Sheet SC-9 for Architectural Finish Details.



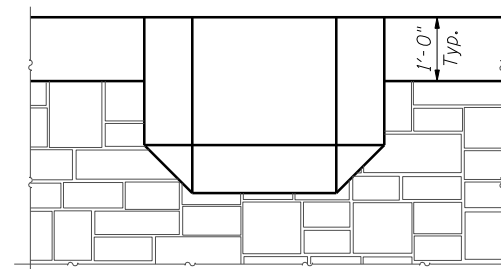
PILASTER A



PILASTER B



SECTION C-C



ARCHITECTURAL FINISH AT PILASTER

FILE NAME = ...60R31-W051-008-P1.Pilaster-Details.dgn



Zroka Engineering, P.C.
4216 North Hermitage
Chicago, IL 60613

DESIGNED - JLA	REVISIONS -
CHECKED - LAS	REVISIONS -
DRAWN - SAW	REVISIONS -
DATE - 12/14/2012	REVISIONS -

DESIGNED - JLA	REVISIONS -
CHECKED - LAS	REVISIONS -
DRAWN - SAW	REVISIONS -
CHECKED - JLA	REVISIONS -

STATE OF ILLINOIS
DEPARTMENT OF TRANSPORTATION

PILASTER & DETAILS
STA. 4018 + 30.06 TO STA. 4020 + 80.00 S.N. 022-W051

SHEET NO. SC-8 OF SC-12 SHEETS

F.A.P. RTE.	SECTION	COUNTY	TOTAL SHEETS	SHEET NO.
338	(112 & 113) WRS-6	DUPAGE	734	516
CONTRACT NO. 60R31				

ILLINOIS FED. AID PROJECT