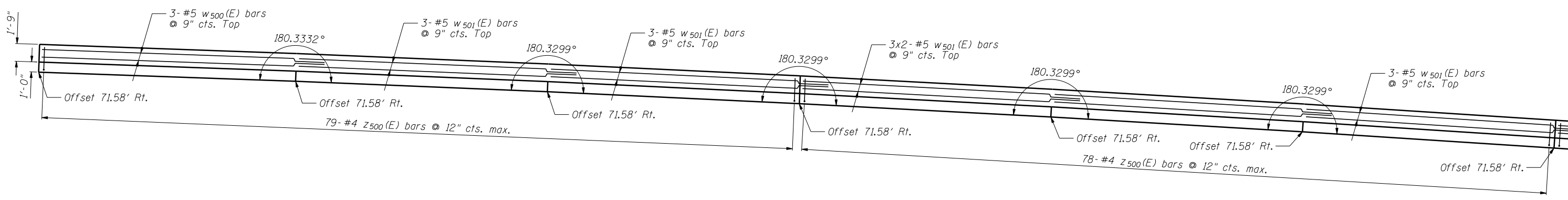


DEVELOPED ELEVATION
Horizontal dimensions measured along front face of wall



PLAN

Notes:
 Minimum lap for #4 bar is 2'-11", #5 bar is 3'-8".
 Bars indicated thus: 3x3-#5 etc. indicates 3 lines of bars with 3 lengths per line.
 See Sheet SE-6 for Section A-A, Details and Bill of Material.

FILE NAME = ...60R31-W054-003-WallPlanElev1.dgn



Zroka Engineering, P.C.
 4216 North Hermitage
 Chicago, IL 60613

DESIGNED - LAS	REVISED -
CHECKED - DAZ	REVISED -
DRAWN - SAW	REVISED -
CHECKED - LAS	REVISED -

STATE OF ILLINOIS
DEPARTMENT OF TRANSPORTATION

WALL PLAN AND ELEVATION 1
STA. 4035 + 96.64 TO STA. 4039 + 75.26 SN 022-W054

F.A.P. RTE.	SECTION	COUNTY	TOTAL SHEETS	SHEET NO.
338	(112 & 113) WRS-6	DUPAGE	734	533
CONTRACT NO. 60R31				

SHEET NO. SE-3 OF SE-8 SHEETS

ILLINOIS FED. AID PROJECT