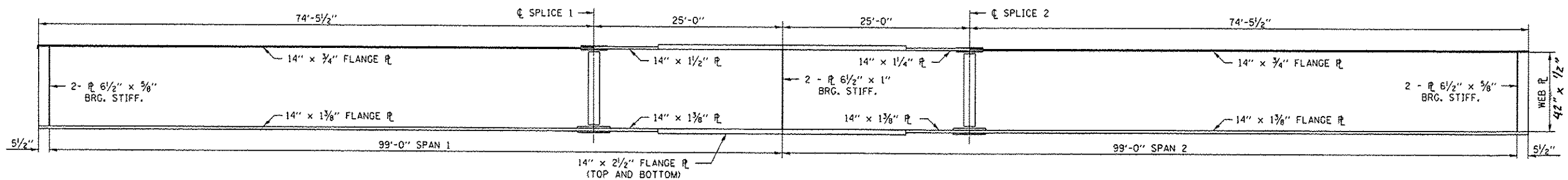
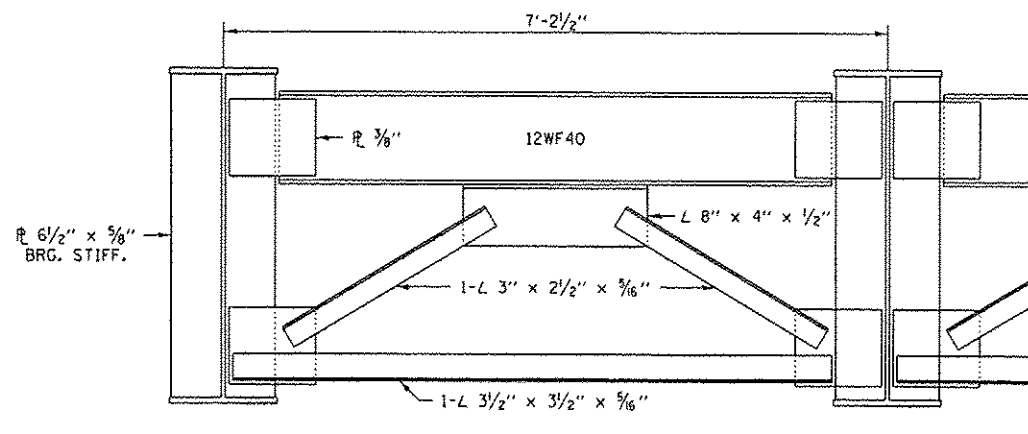


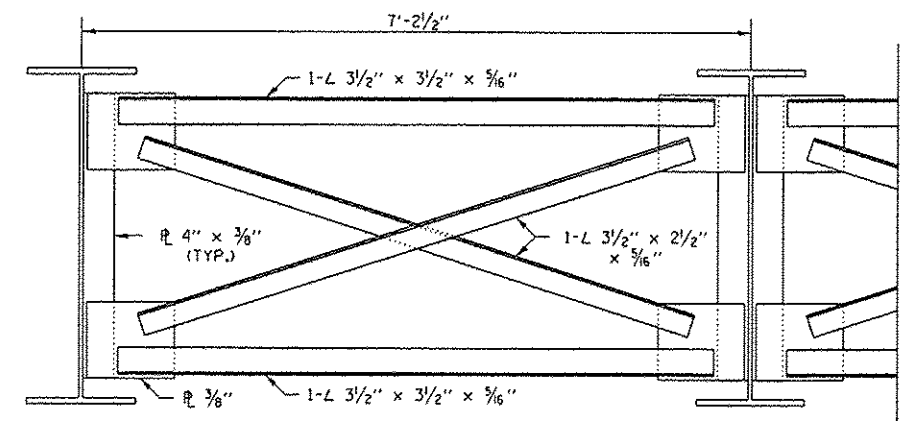
FRAMING PLAN



GIRDER ELEVATION



END CROSS FRAME



INTERIOR CROSS FRAME

"FOR INFORMATION ONLY"

FILE NAME =	USER NAME = spurlockd	DESIGNED - DBS	REVISED -
c:\pwwork\spurlockd\spurlockd\0335518\0366C91-shs-details.dgn		DRAWN - DBS	REVISED -
Default	PLDT SCALE = 100.0000 ' / in.	CHECKED -	REVISED -
	PLDT DATE = 3/26/2013	DATE - MAR 2013	REVISED -

STATE OF ILLINOIS
DEPARTMENT OF TRANSPORTATION

STRUCTURAL STEEL DETAILS
FOR SN. 078-0010

SCALE: NONE SHEET 2 OF 3 SHEETS STA. TO STA.

F.A.S. RTE. 2370	SECTION (78-1HB-1HB)	COUNTY PUTNAM	TOTAL SHEETS 8	SHEET NO. 7
CONTRACT NO. 66C91				
ILLINOIS FED. AID PROJECT				