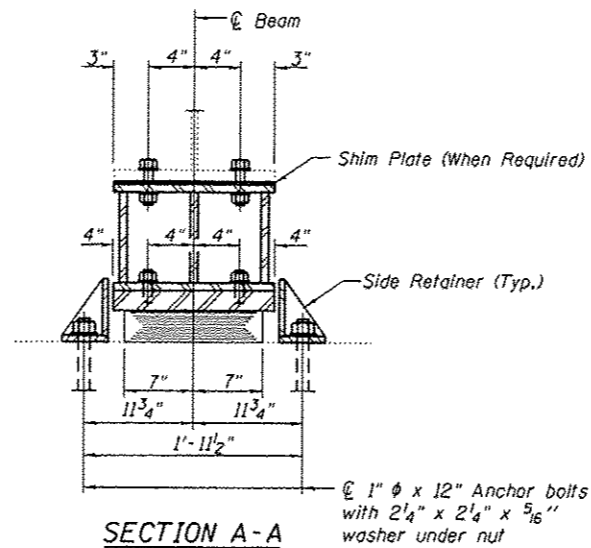
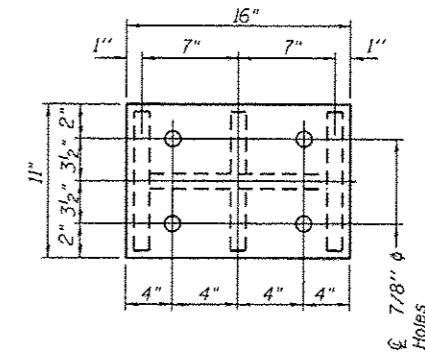


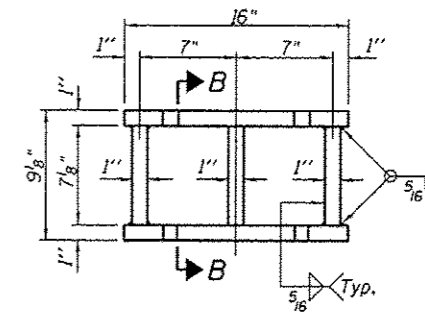
ELEVATION AT ABUTMENT



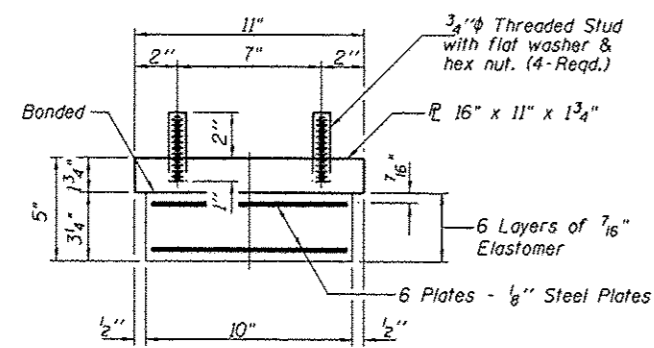
SECTION A-A



PLAN TOP AND BOTTOM PLATE

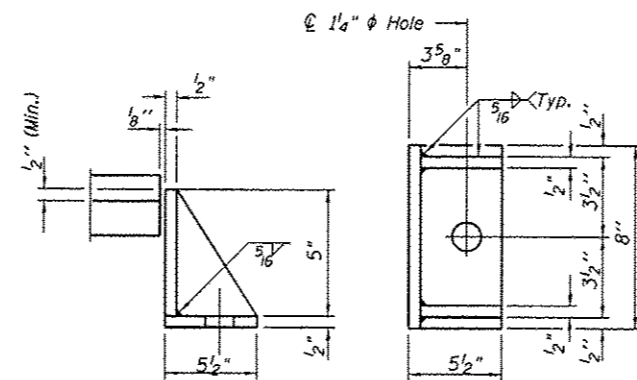


STEEL EXTENSION DETAIL



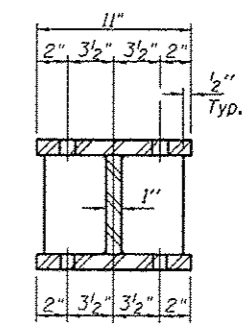
BEARING ASSEMBLY

Note:
Shim plates shall not be placed under Bearing Assembly.



Equivalent rolled angle with stiffeners will be allowed in lieu of welded plates.

SIDE RETAINER



SECTION B-B

"FOR INFORMATION ONLY"

FILE NAME =	USER NAME = spurlockd	DESIGNED - OBS	REVISED -	STATE OF ILLINOIS DEPARTMENT OF TRANSPORTATION	STRUCTURAL STEEL DETAILS FOR SN. 078-0010		F.A.S. R.T.E.	SECTION	COUNTY	TOTAL SHEETS	SHEET NO.	
c:\pwwork\spurlockd\spurlockd\0335518\0335518-1\0335518-1.dgn	66C91-shr-details.dgn	DRAWN - OBS	REVISED -		SCALE: NONE	SHEET 3 OF 3 SHEETS	STA.	2370	(78-1MB-118P)	PULNAM	8	8
Default	PLOT SCALE = 100.0000' / 1"	CHECKED -	REVISED -				TO STA.				CONTRACT NO. 66C91	
	PLOT DATE = 3/26/2013	DATE - MAR 2013	REVISED -								[ILLINOIS] FED. AID PROJECT	