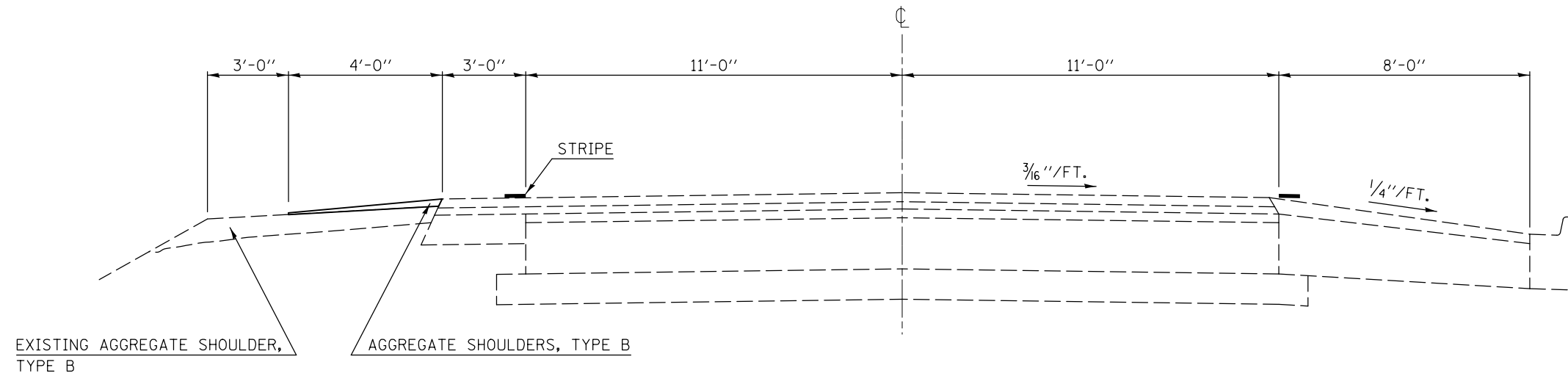


# LOCATION #1 TYPICAL SECTION ①

## F.A.P. ROUTE 317 (U.S. 24)

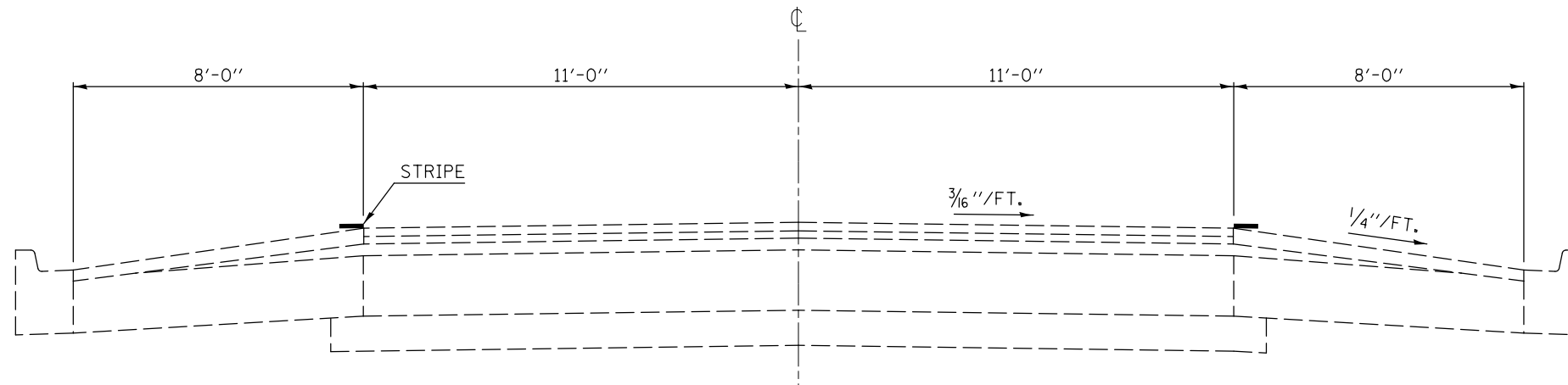
STATION TO STATION  
 1133+00.00 1134+00.00 ②



# LOCATION #1 TYPICAL SECTION ②

## F.A.P. ROUTE 317 (U.S. 24)

STATION TO STATION  
 ① 1134+00.00 1159+98.00 ③



• SHOULDER REPAIR FY2013-1  
 •• DEWITT, MCLEAN & PIATT

FILE NAME =	USER NAME = ceerlockjd	DESIGNED -	REVISED -	<b>STATE OF ILLINOIS DEPARTMENT OF TRANSPORTATION</b>	<b>LOCATION #1 TYPICAL SECTIONS F.A.P. ROUTE 317 (U.S. 24)</b>			F.A. RTE.	SECTION	COUNTY	TOTAL SHEETS	SHEET NO.	
c:\pwork\pwork\ceerlockjd\0336878\0570A23-sht-Typicals.dgn		DRAWN -	REVISED -		SCALE:	SHEET 1	OF 2	SHEETS	STA.	TO STA.	••	17	7
	PLOT SCALE = 40.0000' / in.	CHECKED -	REVISED -		CONTRACT NO. 70A23								
#MODELNAME#	PLOT DATE = 3/20/2013	DATE -	REVISED -		ILLINOIS FED. AID PROJECT								