

## LOCATION #2 TYPICAL SECTION ①

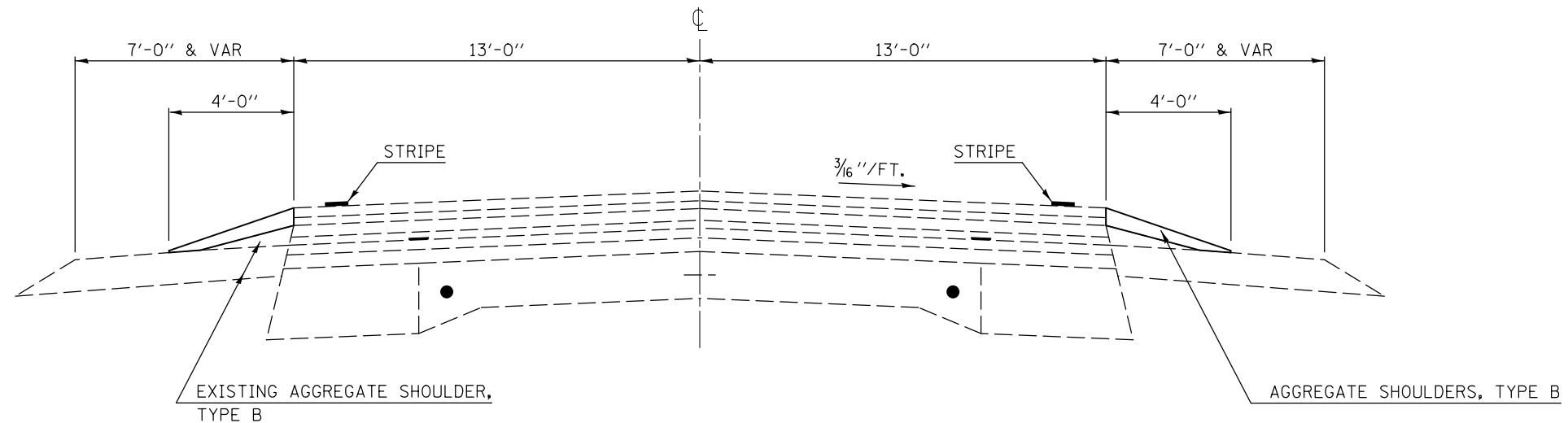
### F.A.P. ROUTE 721 (IL. 10)

STATION	TO	STATION
624+74.00		628+77.50 ②
② 845+39.00		852+95.00 ②
② 891+61.00		901+07.00 ②
② 1275+59.50		1289+11.00 ②

STRUCTURE OMISSION:

S. N. 074-0076

STA. 1279+26.00 TO STA. 1285+16.00



#### STATION EQUATIONS:

652+12.00( BK ) = 652+09.00( AH )
665+43.50( BK ) = 665+48.00( AH )
678+62.00( BK ) = 678+63.00( AH )
719+01.00( BK ) = 719+18.00( AH )
732+21.00( BK ) = 732+23.00( AH )
745+56.50( BK ) = 745+60.00( AH )
758+79.00( BK ) = 758+84.00( AH )
825+83.00( BK ) = 825+88.00( AH )
840+94.70( BK ) = 841+02.94( AH )
878+94.00( BK ) = 879+01.00( AH )
883+90.80( BK ) = 884+00.33( AH )
915+83.60( BK ) = 915+84.09( AH )

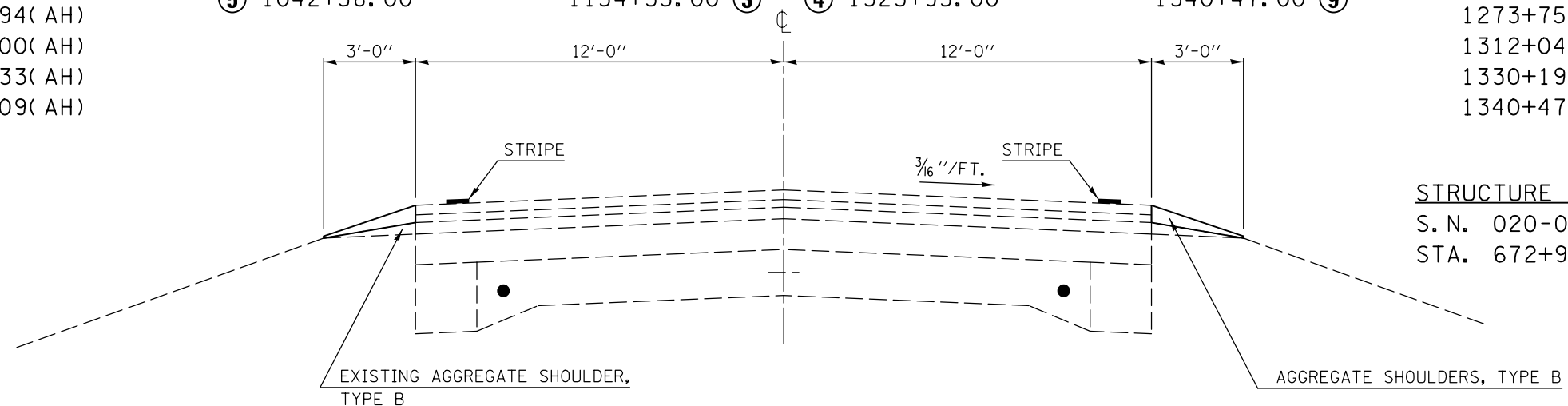
## LOCATION #2 TYPICAL SECTION ②

### F.A.P. ROUTE 721 (IL. 10)

STATION	TO	STATION	TO	STATION	TO	STATION
① 628+77.50		845+39.00 ①		③ 1188+05.00		1202+26.00 ④
① 852+95.00		891+61.00 ①		④ 1227+11.00		1258+80.00 ④
① 901+07.00		922+40.00 ③		④ 1262+83.00		1275+59.50 ①
③ 929+55.00		1027+00.00 ⑤		① 1289+11.00		1314+98.00 ④
⑤ 1042+58.00		1154+35.00 ③		④ 1323+95.00		1340+47.00 ⑨

#### STATION EQUATIONS:

944+90.50( BK ) = 944+92.30( AH )
984+96.00( BK ) = 985+00.00( AH )
1024+75.00( BK ) = 1024+77.00( AH )
1053+90.50( BK ) = 1053+85.00( AH )
1085+00.00( BK ) = 1085+02.50( AH )
1116+22.50( BK ) = 1116+24.00( AH )
1142+55.50( BK ) = 1142+49.00( AH )
1199+97.00( BK ) = 1199+97.53( AH )
1273+75.50( BK ) = 1273+78.50( AH )
1312+04.50( BK ) = 1312+04.00( AH )
1330+19.00( BK ) = 1330+22.00( AH )
1340+47.00( BK ) = 23+00.00( AH )



STRUCTURE OMISSION:

S. N. 020-0038

STA. 672+93.40 TO STA. 674+93.40

• SHOULDER REPAIR FY2013-1  
•• DEWITT, MCLEAN & PIATT

FILE NAME =	USER NAME = ceerlockjd	DESIGNED -	REVISED -	<b>STATE OF ILLINOIS DEPARTMENT OF TRANSPORTATION</b>	<b>LOCATION #2 TYPICAL SECTIONS F.A.P. ROUTE 721 (IL. 10)</b>			F.A. RTE.	SECTION	COUNTY	TOTAL SHEETS	SHEET NO.	
		DRAWN -	REVISED -		SCALE:	SHEET 1	OF 5	SHEETS	STA.	TO STA.	••	17	9
		CHECKED -	REVISED -					CONTRACT NO. 70A23			ILLINOIS FED. AID PROJECT		
#MODELNAME#	PLOT DATE = 3/20/2013	DATE -	REVISED -										